

500 Watt Xenon Yacht Searchlight

45 Million Candlepower and Electric Beam-size Focus!

Features

- **Beam Intensity:** 45 Million Beam Candlepower illuminates an object/person approximately 6708 meters away on a clear night!
- **Electric Beam-Size Focus:** Beam can be widened and narrowed remote electrically, throughout a continuous spectrum.
- **Beam-size Focus Knob:** External Knob changes beam-size with no tools, and provides back-up should the focus motor fail.
- **Proportional-Speed Joystick:** Speed and Direction are controlled by Joystick... i.e. "Move Joystick to the first position and Beam moves slowly... move Joystick further and it speeds up!".
- **"Multi-board Safety Back-up"...** electronic power supply design incorporates two boards in parallel, and if one fails, the beam will still operate in back-up mode!
- **Bullet-Resistant Reflector...** Virtually indestructible Nickel Material helps prevent breakage if fixture is hit by bullets or rocks.
- **Finish...** Chrome Finish or White Powder (Custom Colors also)
- **Anti-icing Heater: (optional):** Thermostatically-controlled heaters are located in the Base to prevent ice build-up.
- **Azimuth Position Indicator (optional):** Position Indicator panel displays the Beam Aiming-Position in degrees.
- **NightFINDER™ Thermal Camera (optional):** Embedded Thermal Camera provides greater Night Vision Capability and the Searchlight Beam and Camera track on the same target!
- **SmartVIEW™ Control (optional):** Micro-processor controls provide intelligent switching throughout a BUS Network, with multiple protocols offered: TCP/IP, RS232/422, RS485, NMEA 0183.
- **High Powered Strobe (optional):** Powerful Nonlethal Deterrent disorients intruder and denies night vision.
- **LED Hybrid (optional):** Auxiliary LED Light Modules project a "Wall of Light", 150 Meters Wide and 200 Meters away, for strategic short range and wide area lighting.



Classic Sparkling Beauty and Immense Power for the world's most discriminating Yacht Owner!



Photo courtesy FEADSHIP of Holland

Searchlight Specifications

- Electric Beam-Size Focus:** 1 to 20° (throughout continuous spectrum)
- Environmental Protection:** IP56
- Power Consumption:** 115VAC/12 Amps or 230VAC/6 Amps; 50/60HZ
- Vertical Span:** +35° to -35° (Total 70° approx.)
- Horizontal Span:** Beyond Full Circle (385 Degrees with Sliding Stop)
- Beam Speed (approx.):** 12° per sec (Horiz/Fast); 3° per sec (Horiz/Slow)
- Lamp:** 500 Watt, Xenon Short Arc, 6500 °Kelvin
- Beam Intensity:** 45 Million Candela
- Distance Serviced measuring 1 LUX:** 6708 Meters on a clear night.
- Reflector:** Precision Electroformed, Nickel Material, Bullet-Resistant
- Materials:** Brass or Marine Grade Aluminum with Stainless Fasteners
- Finish:** Salt-resistant, Scratch-resistant Powder Coat or Brass Chrome



"Leaders in Searchlight Technology for over 122 years"

Electronic Power Supply ***with Multi-Board Safety Back-up!***

GO GREEN with the New ***C&F 500 Watt Xenon Power Supply... “Less than 1/3 the weight, Less than 1/3 the size, and 15% more efficient than previous models.”***

Features

- ⊙ *Light Weight*
- ⊙ *Small Footprint*
- ⊙ *Improved Efficiency*
- ⊙ **Multi-Board Safety Back-up Design*
- ⊙ *120 & 230 Volt Models Available*
- ⊙ *Integrated Hour Meter and Ammeter*
- ⊙ *Optional Outdoor Models Available*
- ⊙ *Backward compatible with previous generation power supplies*



Qty(2) Electronic Boards in parallel provide immediate Safety Back-up!

***Multi-Board Safety Back-up Design:** The unique Carlisle & Finch design has multiple electronic boards connected in parallel which provide built-in redundancy. If a board fails, the searchlight will still operate in “back-up” mode. This feature insures greater searchlight reliability, and is offered by no other searchlight company in the world. Other searchlights, have a complete outage, if an electronic board fails!



“Leaders in Searchlight Technology for over 122 Years”

“Proportional-Speed” Joystick provides Single-Hand operation!



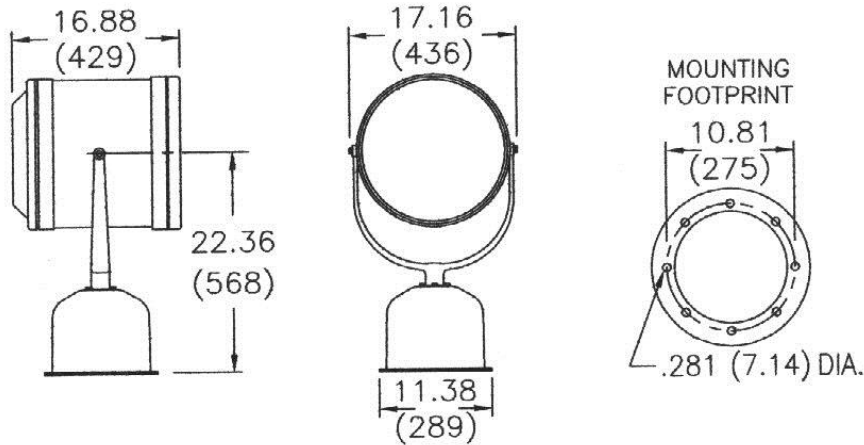
The Carlisle & Finch Company offers a “Proportional-Speed Joystick”, which controls the Beam-Speed and Beam-Direction by moving the Joystick with a single hand... i.e. “move the Joystick to the first position, and the Beam moves slowly... move it further and the Beam speeds up!”. Since the need for an additional Speed-Dial or Fast/Slow Switch has now been eliminated (which requires the user to use two hands of operation), the operator can now use his/her free hand to steer the vessel, hold binoculars, or hold a fire arm. Additional Joystick Functions are: Beam-ON, Beam-OFF, Electric Beam-size Focus, Proportional-Speed Joystick (described above), and Beam-On Indicator light (offered on Indoor Stations-only).



“Leaders in Searchlight Technology for over 122 Years”

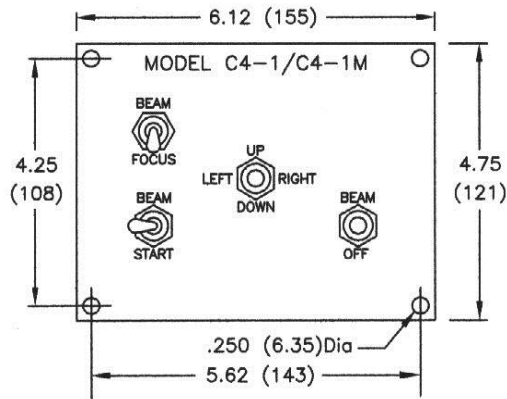
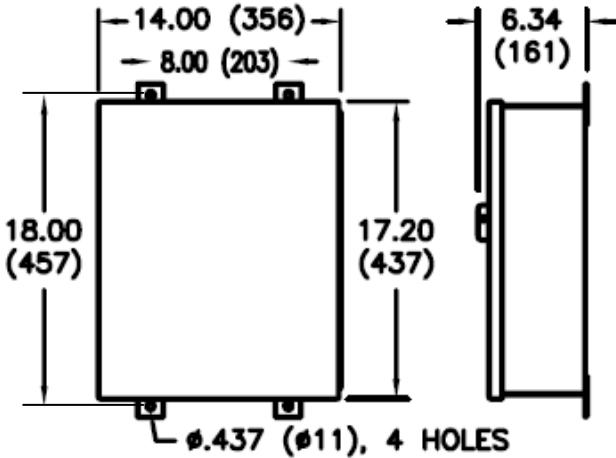
500 Watt Dimensions in inches (mm)

Searchlight
Weight
85 LB (38.6 KG)



Electronic Power Supply: 115 or 230VAC, 50/60HZ Electronic Power Supply with "Dual Module Redundancy". If one power supply module fails, the other will serve as back-up, and the searchlight will still project a bright beam.

Joystick Control Stations: Remote control functions include Lamp ON/OFF, Electric Beam-size Focus, and Advanced Joystick which controls Speed and Direction simultaneously with one hand... "move the Joystick to the first position and it will move slowly, move it further and it will go faster". One Master Station (C4-1-1) is required with each system, and any number of Slave Stations, indoor (C4-1M-1) and outdoor (C4E1M-1-1), can be added. If you desire an outdoor Slave Station, not flush-mounted within console, but in a Weatherproof Box, specify C4E1M Control, and consult Factory.



Power Supply Weight = 37 LB (16.8 KG)

C4-1-1 Master Station..... Depth = 6.5in (166mm)
C4-1M-1 and C4E1M-1-2 Slaves.... Depth = 3.5in (89mm)

How to Specify a System.....start at the left and read across table. Select Chrome or Powder Coated Searchlight, 115VAC or 230VAC Power Supply, and one C4-1-1 Master Station. Any quantity of Slave Stations can be added. For inside mounting select Slave Station C4-1M-1, and for Slave Stations mounted outside in the weather, select C4E1M-1-2 (Flush-mounted within Console). If you desire an Outdoor Slave, mounted in a Fully Enclosed Weatherproof Box, and not flush-mounted in console, select C4E1M, and consult Factory for Dimensional Data. For options such as Azimuth Indicator, NightFINDER™ Thermal Camera and SmartVIEW™ Controls, consult Factory.

Searchlight Chrome or Powder Coat	Power Supply 115VAC or 230 VAC	Master Station (Inside)	Slave Station (Inside)	Slave Station (Outside)
XY5CDE-24RF or XY5EDE-24RF	6PS115 or 6PS230	C4-1-1	C4-1M-1	C4E1M-1-2

Sample Specification: A 500 Watt Searchlight with Sparkling Chrome Finish, 230 VAC Power Input and Two Joystick Control Stations flush-mounted within console (one inside and one outside in weather)...Select Searchlight Number XY5CDE-24RF, Power Supply Number 6PS230, Master Station Number C4-1-1, and Slave Station Number C4E1M-1-2.



THE CARLISLE & FINCH CO.

4562 West Mitchell Ave, Cincinnati, Ohio 45232; (Tel) 513-681-6080 (Fax) 513-681-6226
E-Mail: sales@carlislefinch.com Website: www.carlislefinch.com Country: USA