

# 385 mm Local Control Searchlight

**45 Million Candlepower with Beam-size Focus!**



***Carlisle & Finch is the standard of the U.S. Navy, U.S. Coast Guard and U.S. Federal Prisons!***

## **Features**

- Beam Intensity: Illuminates an object or person approx. 6700 Meters away on a clear night.
- Xenon Lamp... 500 Watts with 6500° Kelvin Color Temp
- Beam-Size Focus: Twist Knob on top of Searchlight Head changes the Beam-Size, with no tools required.
- Manual Aiming Methods: Handle on head provides accurate aiming, and Beam can be locked in Horizontal and Vertical Positions, quickly and easily with no tools required.
- "Multi-board Safety Back-up"... electronic power supply design incorporates two boards in parallel, and if one fails, the beam will still operate in back-up mode!
- Bullet-Resistant Reflector... Virtually Indestructible Nickel Material with Polished Rhodium Finish helps prevent breakage if fixture is impacted by bullets or rocks
- Anti-corrosive Design: Marine Grade Aluminum and Stainless Steel with Salt Resistant Powder Coat Finish
- Thermal Camera (optional): Optional thermal camera added to searchlight provides additional Night Vision capability.
- LED Hybrid (optional): Auxiliary LED Light Modules project a "Wall of Light", 150 Meters Wide and over 230 Meters away, for strategic wide area, short-range lighting.

## **Searchlight Specifications**

Electric Beam-Size Focus: approx 1 to 20° (thru continuous spectrum)

Temperature: -25 °C to +48 °C (approx)

Environmental Protection: IP 56

Power: 115VAC or 230 VAC 50/60 HZ

Vertical Aiming: +35 Deg to -35 Deg (Total 70 Deg approx)

Horizontal Aiming: Beyond Full Circle

Lamp: 500 Watt Xenon Short Arc

Candlepower: 45 Million Candela

Distance Serviced measuring 1 LUX: 6708 Meters (approx.)

Reflector: Precision-Parabolic, Nickel with Rhodium Finish, Bullet-Resistant

Materials: Marine Grade Aluminum and Stainless Steel



***"Leaders in Searchlight Technology for over 122 years"***

# Electronic Power Supply with Multi-Board Safety Back-up!

*GO GREEN with the New C&F 500 Watt Xenon Power Supply... "Less than 1/3 the weight, Less than 1/3 the size, and 15% more efficient than previous models."*

## Features

- ⊙ Light Weight
- ⊙ Small Footprint
- ⊙ Improved Efficiency
- ⊙ \*Multi-Board Safety Back-up Design
- ⊙ 120 & 230 Volt Models Available
- ⊙ Integrated Hour Meter and Ammeter
- ⊙ Optional Outdoor Models Available
- ⊙ Backward compatible with previous generation power supplies



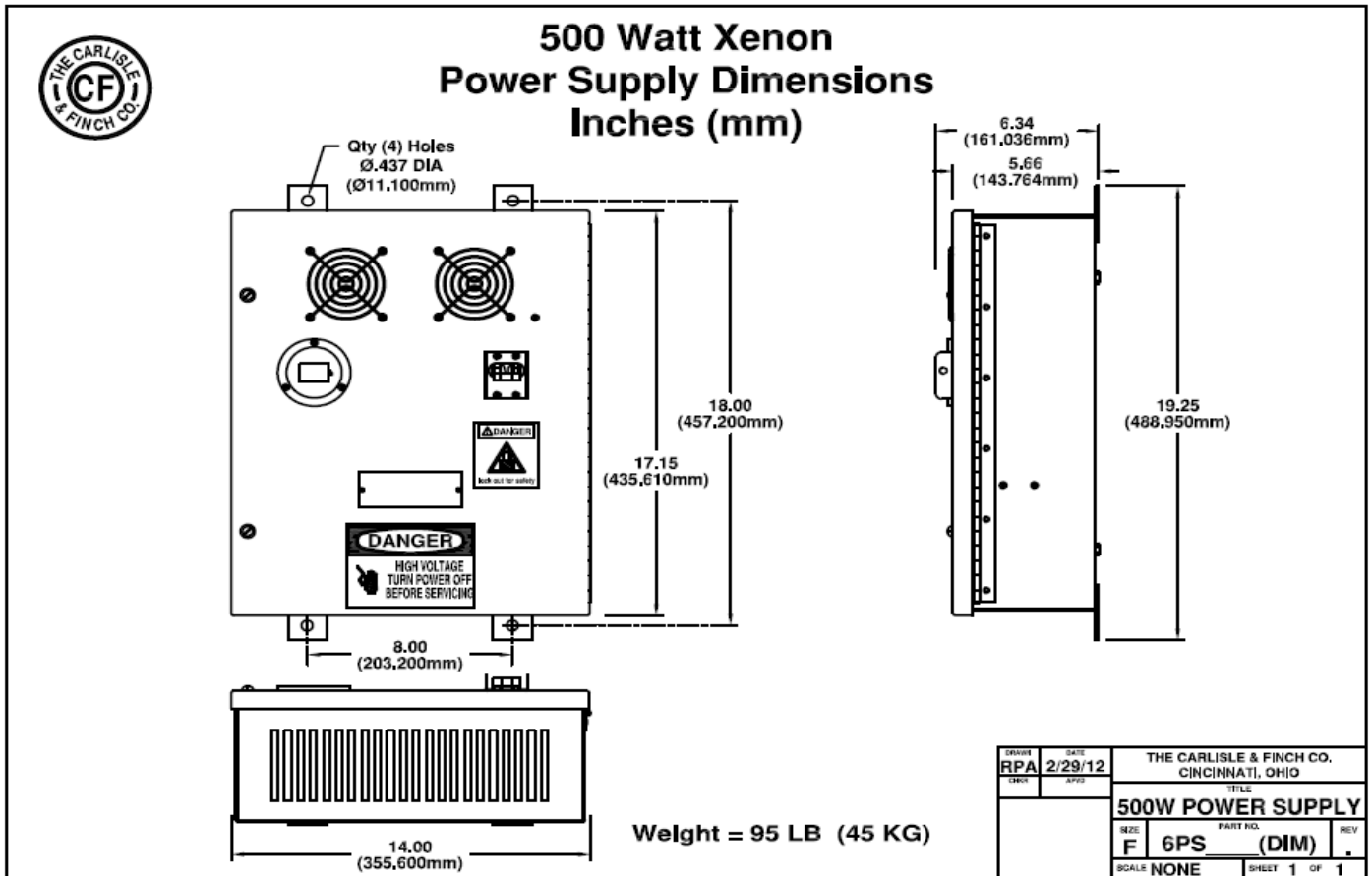
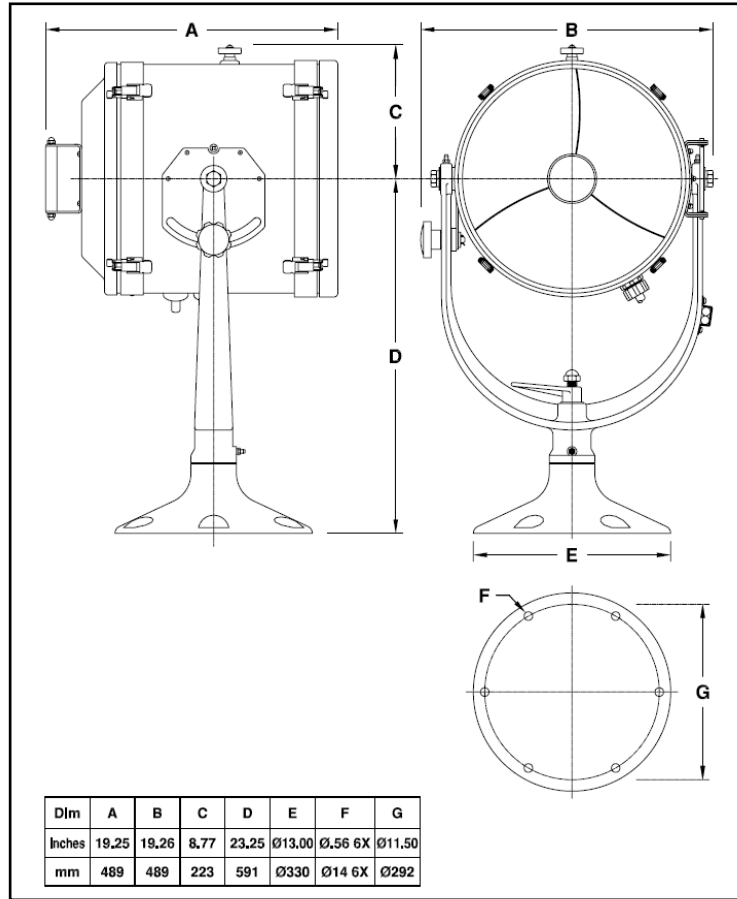
**Qty(2) Electronic Boards in parallel provide immediate Safety Back-up!**

\*Multi-Board Safety Back-up Design: The unique Carlisle & Finch design has multiple electronic boards connected in parallel which provide built-in redundancy. If a board fails, the searchlight will still operate in "back-up" mode. This feature insures greater searchlight reliability, and is offered by no other searchlight company in the world. Other searchlights, have a complete outage, if an electronic board fails!



*"Leaders in Searchlight Technology for over 122 Years"*

# Searchlight Dimensions in Inches and MM



*"Leaders in Searchlight Technology for over 122 Years"*

