

New LED “Hybrid” Searchlight!

Auxiliary LED Lighting added to C&F Searchlights provides strategic illumination for Search and Rescue, Docking, Illuminating areas near Guard Towers and Prison Yards, Seeing blind spots around Vessels,



1.0KW Xenon “HYBRID” above

Auxiliary LED Features

- **Eliminates Blind Spots:** LED Beam illuminates wider areas nearer to Marine Vessels and Guard Towers, which narrower searchlight beams cannot service!
- **Dual LED Module Design:** Two LED Light Modules powered by separate electronics, provides backup, if one fails.
- **Low LED Power Consumption:** Only 43 Watts per module (86 Watts Total!)
- **Long LED Lamp-Life:** 50,000 Hours!
- **Field Upgradeable:** Add “LED Hybrid Kit” to your existing C&F 19-inch (483mm) Halogen, 500 Watt and 1000 Watt Xenon Searchlights!
- **Battery Back-up:** Can be run directly off battery power because Voltage Input is 12VDC to 28VDC.
- **Environmentally Robust:** IP67-Rated
- **LED Beam Pattern:** See Exhibit A on page two.

What is an LED “Hybrid” Searchlight? Although LED development has come a long way, it still cannot yet compete cost effectively, with the long range distances achieved by Xenon and Halogen Searchlights. However, in order to service those greater distances, these traditional light sources produce narrower beams, which are not very efficient when illuminating wide areas nearer to Marine Vessels, or Guard Towers. Therefore, Carlisle & Finch has created the LED “Hybrid” Searchlight. The “Hybrid” strategically combines LED Lighting, with traditional light sources such as Xenon and Halogen, to efficiently utilize the strengths of multiple technologies on demand!

Imagine being able to instantly direct a **“Wall of light”** 150 Meters wide, approximately 230 meters away, for Search and Rescue or during a Prison Break! This LED beam has evenly spread illumination, and a “pure white” color rendering, pleasing to the human eye. And the operator can use the Xenon or Halogen Beam to reach thousands of meters instantly, on demand as well. The LED “Hybrid” Searchlight will efficiently service wide beam short-range applications, and long range applications, with one flexible product!



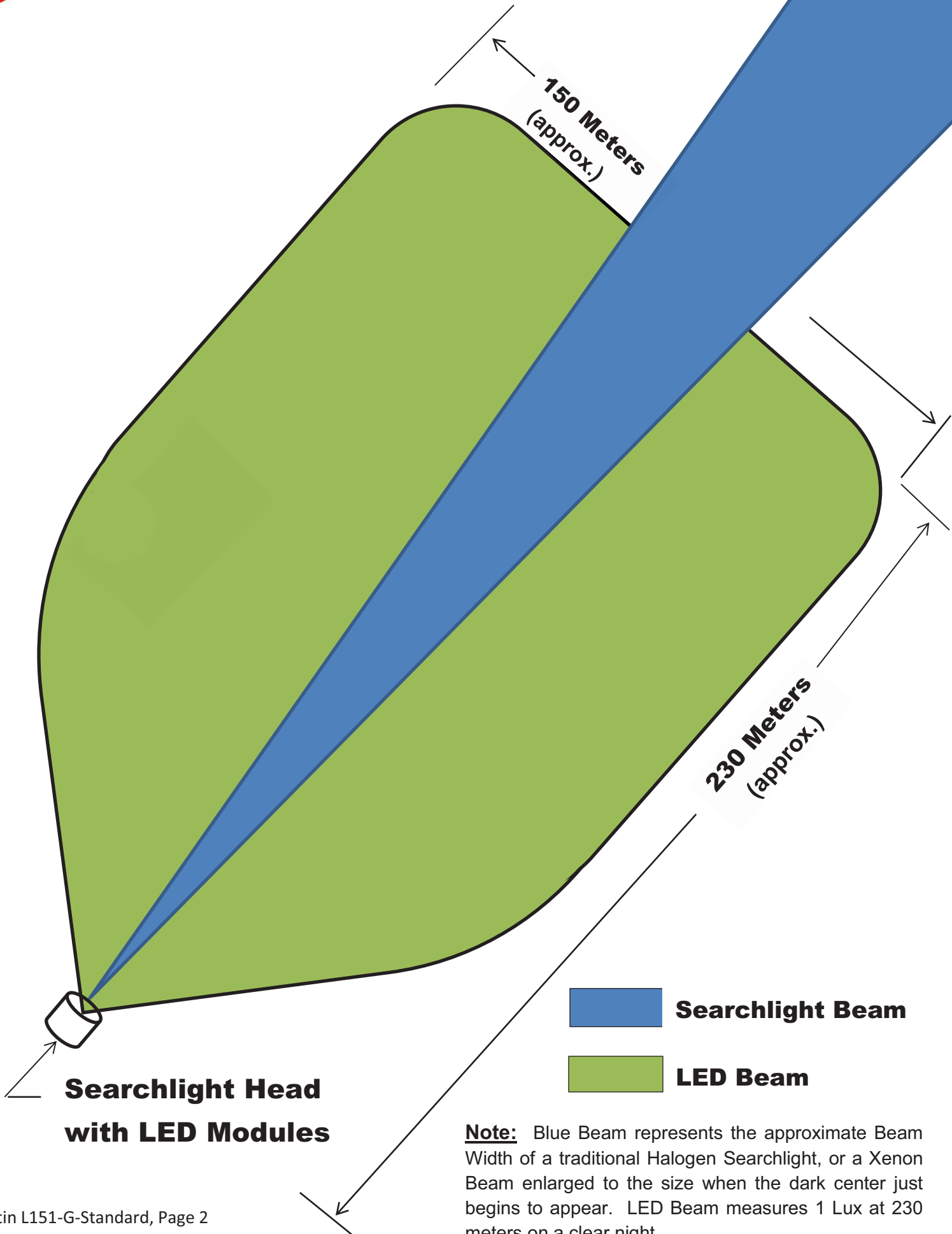
C&F is Standard of U.S. Navy, U.S. Coast Guard and US Federal Prisons!



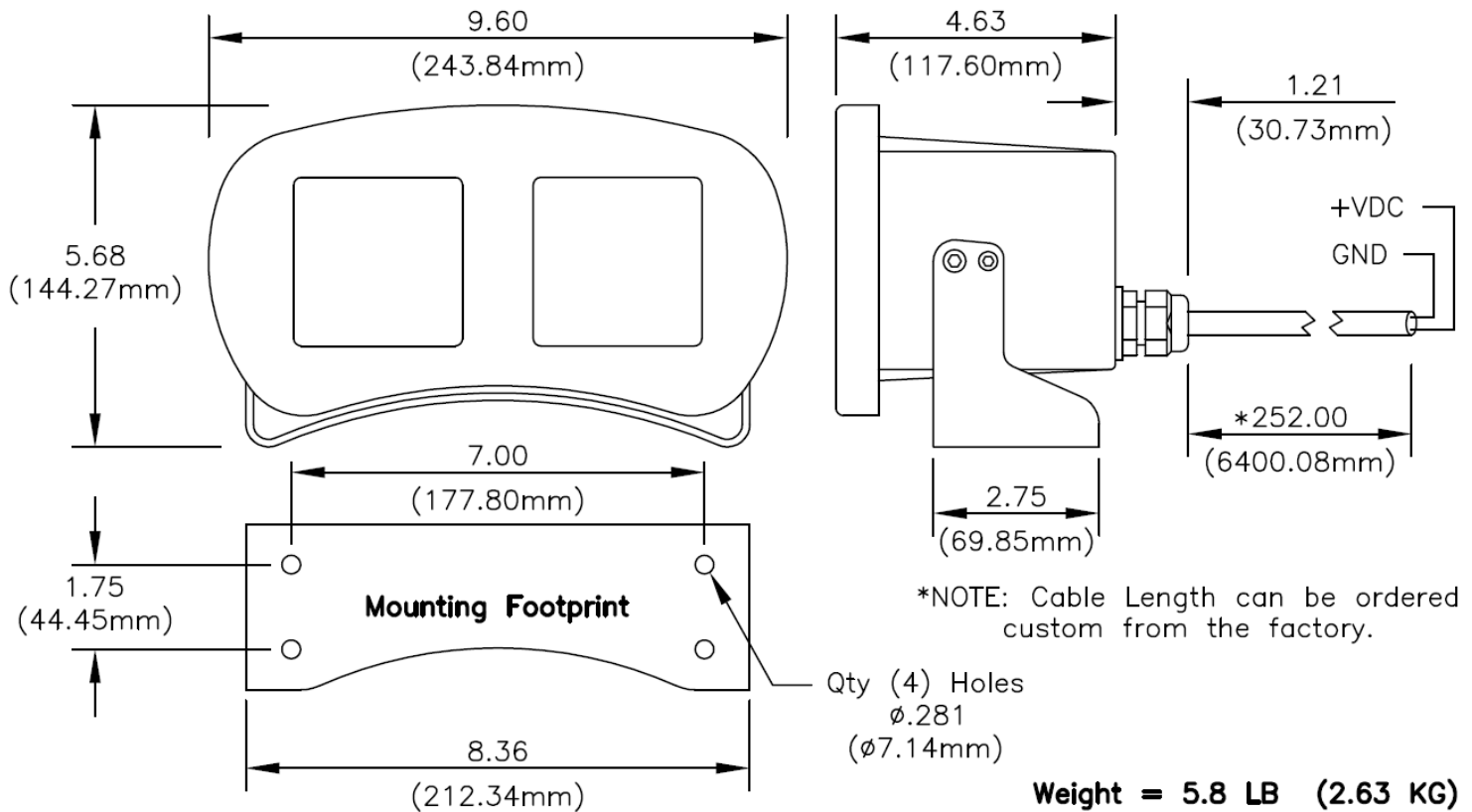
“Leaders in Searchlight Technology for over 122 Years”



Exhibit A: Approx. Hybrid Beam Pattern



Dimensions in Inches (mm)



LED Hybrid Kit Ordering Information

Model Number	Description	Searchlight Used On
K15215X-500	Complete LED Hybrid Kit: Includes LED Fixture, Mounting Bracket, Fasteners, Template, 21 Ft Cable, and Counter-Balance	500 Watt Xenon
K15215X-1000	Complete LED Hybrid Kit: Includes LED Fixture, Mounting Bracket, Fasteners, Template, 21 Ft Cable, and Counter-Balance	1.0KW Xenon and
K15215X-19	Complete LED Hybrid Kit: Includes LED Fixture, Mounting Bracket, Fasteners, Template, 21 Ft Cable, and Counter-Balance	19-inch Halogen

Model Number	Description	Searchlight Used On
15215X	LED Fixture Assembly: Includes LED Fixture, Mounting Bracket, Fasteners, Template and 21 Ft. Cable (no Counter-Balance).	All
K15242-500	Counter-Balance, 500 Watt Xenon	500 Watt Xenon
K15242-1000	Counter-Balance, 1.0KW Xenon	1.0KW Xenon
K15242-19	Counter-Balance, 19-inch Halogen	19-inch Halogen

NOTE: Above Model Numbers pertain to the LED Fixture-only. To order a complete Hybrid Searchlight, you must provide the traditional Searchlight Model, as well the complete LED Hybrid Kit Numbers above.



“Helping Mariners see at Night for over 122 Years”