

19-inch (483mm) Halogen Searchlight

Joystick Electric Control with 4.5 Million Candlepower

Features



- **Beam Intensity:** 4.5 Million Beam Candlepower illuminates an object/person approximately 2121 meters away on clear night!
- **8-Way Joystick with Speed Control:** Joystick can be aimed UP, DOWN, RIGHT, LEFT and DIAGONALLY, and Speed Dial changes Beam-speed from 0 to 25 Degrees per second.
- **Shock-mounted Lampholder...** Helps prevent filament breakage due to ship vibration, or if fixture is impacted by bullets or rocks at Prison Facility (Medium Prefocus Lampholder-only).
- **Robust Powder Coat Finish...** Scratch-resistant and Salt-resistant (custom colors available).
- **Anti-icing Heater: (optional):** Thermostatically-controlled heaters are located in the Arm Pivots, Rack and Base.
- **LED Hybrid (optional):** Auxiliary LED Light Modules project a "Wall of Light", 150 Meters Wide and over 230 Meters away, used for strategic short-range perimeter lighting.
- **Slip-Rings in Base (optional):** Provides continuous, unlimited 360° Motion with No Stop Points.
- **Azimuth Position Indicator (optional):** Position Indicator Panel displays Horizontal Beam-Position in degrees.
- **NightFINDER™ Thermal Camera (optional):** Optional thermal camera added to searchlight provides greater night vision capabilities.
- **SmartVIEW™ Control (optional):** Micro-processor controls provide intelligent switching throughout a BUS Network, with multiple protocols offered: TCP/IP, RS232, RS422 and RS485.

Carlisle & Finch is the standard of the U.S. Navy, U.S. Coast Guard and U.S. Federal Prisons.

Searchlight Specifications

Temperature Range: -25 °C to +48 °C (approx)

Environmental Protection: IP56

Power Consumption: 115VAC/8.7 Amps or 230 VAC/4.35 Amps; 50/60HZ

Vertical Span: +35 Deg to -35 Deg (Total 70 Deg approx)

Horizontal Span (Standard): 385 Degrees with unique Sliding Stop.

Horizontal Span (Slip-Rings): Unlimited, Continuous with No Stop Points.

Beam Speed: 25° per sec (Horizontal); 14° per sec (Vertical)

Light Source: Incandescent Halogen and LED with Hybrid Option.

Beam Intensity: 4.5 Million Candela

Distance Serviced measuring 1 LUX: 2121 meters on a clear night.

Reflector: Silvered Glass Mirror

Materials: Marine Grade Aluminum and Stainless Steel

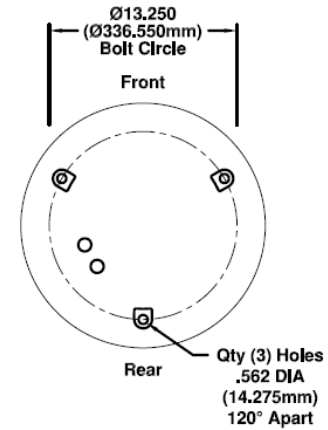
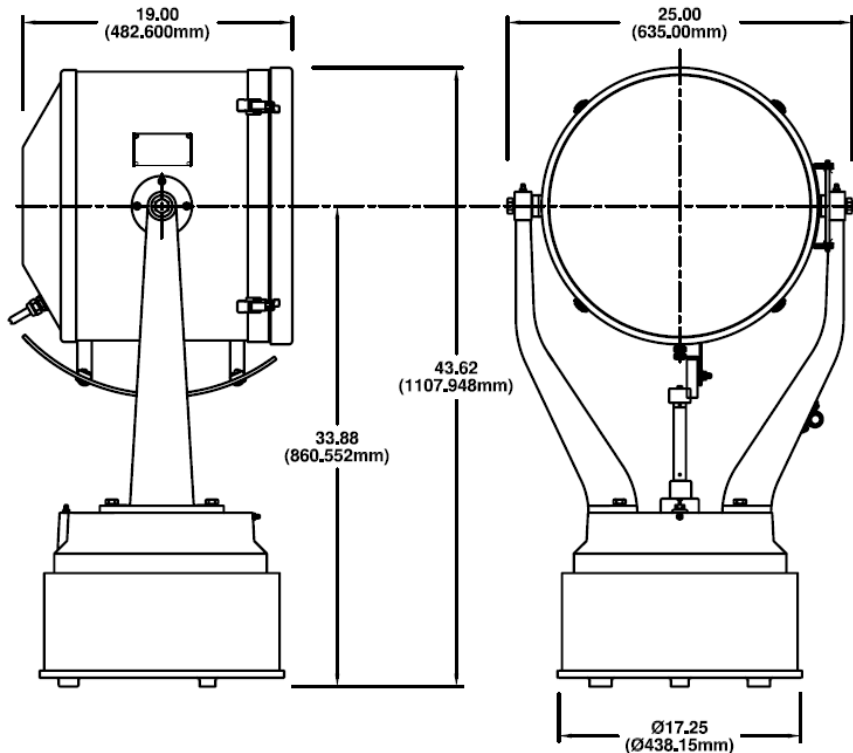
Finish: Salt-resistant White Powder (Custom Colors available)



"Leaders in Searchlight Technology for over 122 years"



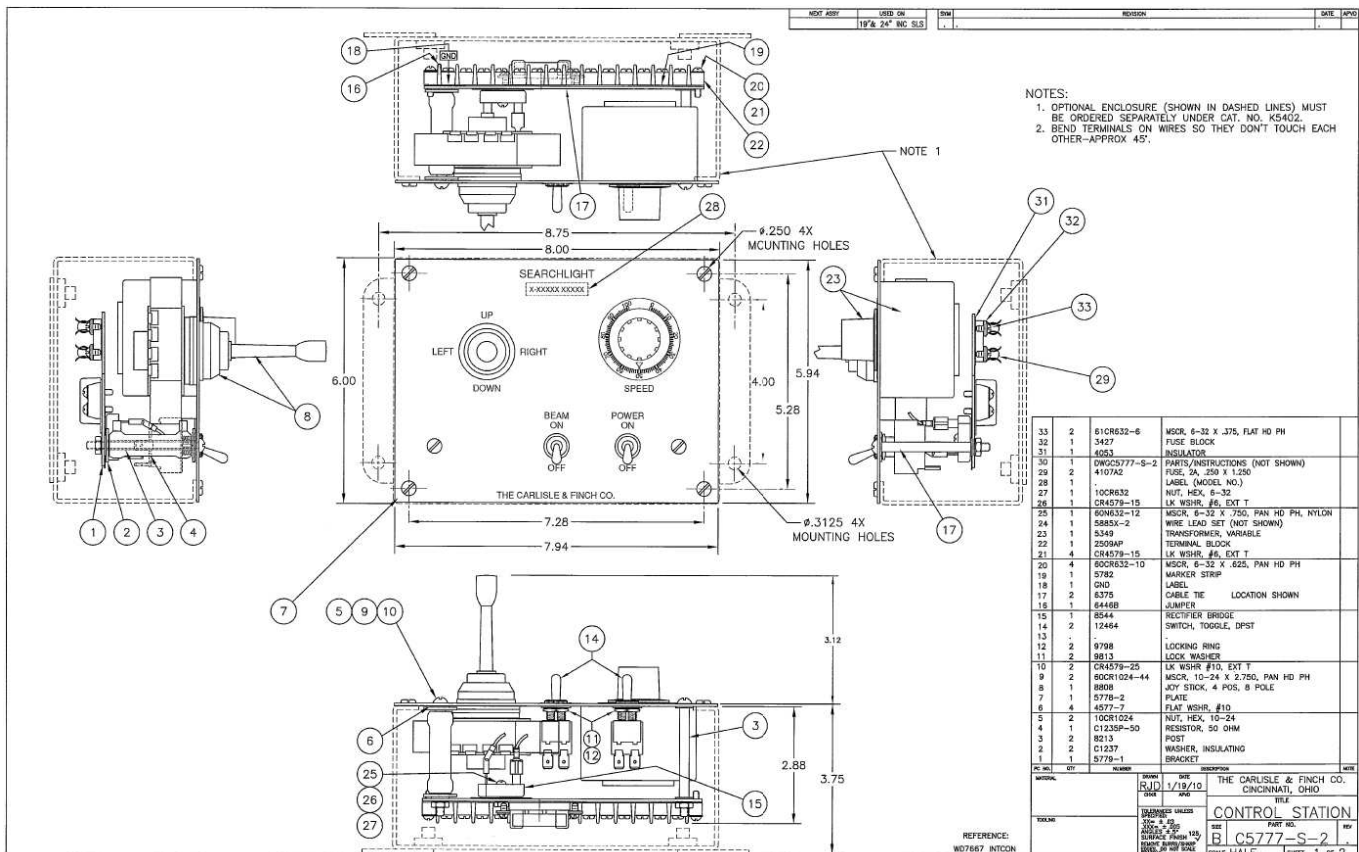
Model 19SL8660D-() Joystick Control Searchlight Dimensions in Inches (mm)



Weight = 186 LB (85 KG)

| | | | |
|--------|---------|----------------------------------------------|--------|
| DESIGN | DATE | THE CARLISLE & FINCH CO. CINCINNATI, OHIO | |
| RPA | 6/22/11 | TITLE | |
| CHG | APD | 19" SEARCHLIGHT | |
| SIZE | F | PART NO. | REV |
| SCALE | NONE | 19SL8660 (DIM) | . |
| | | SHEET | 1 OF 1 |

Model C5777-S-2 Joystick Controller (Used for a Single Point of Control, 115V)



Model C5777-S-230 Joystick Controller (Used for Single Point of Control, 230V)

Dimensions:
 SIDE VIEW: 5.13, 3.20, 5.281, 7.281, 7.281, .53, 4.88, 6.88, .53
 FRONT VIEW: 7.94, 5.94, .33, .33
 REAR VIEW: .53, 4.88, 6.88, .53

Labels: SEARCHLIGHT, UP, DOWN, LEFT, RIGHT, SPEED, ON, OFF, LABEL (C5777-S-230) FAR SIDE, THE CARLISLE & FINCH CO.

Connection Diagram: Shows input transformer (230VAC), variable transformer, joy stick, on-off switch, and terminal blocks (TB1-TB9).

| PC NO. | QTY | NUMBER | DESCRIPTION | NOTE |
|--------|-----|-----------------|--------------------------------|------|
| 35 | 1 | DWG C5777-S-230 | PARTS/INSTRUCTIONS | |
| 34 | 1 | CR4579-15 | LK WSR, #6, EXT T | |
| 33 | 1 | 10CR632 | NUT, HEX, 6-32 | |
| 32 | 1 | 80N632-12 | MSCR, 6-32 X .750, PAN HD PH | |
| 31 | 1 | 8540 | INSULATOR | |
| 30 | 1 | 11901X | LABEL (MODEL NO.) | |
| 29 | 1 | WIRE LEAD SET | | |
| 28 | 4 | CR4579-20 | LK WSR, #8, EXT T | |
| 27 | 4 | 60CR632-4 | MSCR, 6-32 X 250, PAN HD PH | |
| 26 | 1 | 9204 | TRANSFORMER, STEPPER | |
| 25 | 1 | EA | LABELS: 8,9,10,11,12 & 13 | |
| 24 | 2 | 8932-2 | TUBE, HEAT SHRINK, .250 ID | |
| 23 | 1 | 5349 | TRANSFORMER, VARIABLE | |
| 22 | 2 | 2509AJ | TERMINAL BLOCK | |
| 21 | 8 | CR4579-15 | LK WSR, #6, EXT T | |
| 20 | 8 | 60CR632-8 | MSCR, 6-32 X .625, PAN HD PH | |
| 19 | 2 | 5361 | MARKER STRIP | |
| 18 | 1 | QND | LABEL | |
| 17 | 2 | 6375 | CABLE TIE NOT SHOWN | |
| 16 | 1 | 6446A | JUMPER | |
| 15 | 1 | 8544 | RECTIFIER, BRIDGE | |
| 14 | 1 | 1246A | TOGGLE SWITCH, DPST | |
| 13 | 1 | 9613 | LK WSR | |
| 12 | 1 | 9798 | LOCKING RING | |
| 11 | 1 | | | |
| 10 | 4 | CR4579-25 | LK WSR, #10, EXT T | |
| 9 | 4 | 60CR1024-44 | MSCR, 10-24 X 2.750, PAN HD PH | |
| 8 | 1 | 8808 | JOY STICK, 4 POS, 6 POLE | |
| 7 | 1 | 11898 | PANEL, FRONT | |
| 6 | 8 | 4577-7 | FLAT WSR, #10 | |
| 5 | 4 | 10CR1024 | NUT, HEX, 10-24 | |
| 4 | 1 | C1233P-50 | RESISTOR, 50 OHM | |
| 3 | 4 | 8213 | POST | |
| 2 | 2 | C1237 | WASHER, INSULATING | |
| 1 | 1 | 11899 | PANEL, REAR | |

Model 8779X-S Joystick Controller (Used for Multiple Points of Control, 115V)

Dimensions:
 2.38, 2.75, 8.50, 8.00, 7.250, 2.500, 3.25, 2.50, 6.75, 2.75

Labels: UP, DOWN, LEFT, RIGHT, SLOW, FAST, SEARCHLIGHT OFF, ON, SIDE 1, A, B

Notes:
 1. REF: CATALOG DWG 7686.
 2. REF: ENCLOSURE 5079G.

Console Cavity Dimensions: 2.75 width, 6.75 height, 2.50 min depth.

| PC NO. | QTY | NUMBER | DESCRIPTION | NOTE |
|--------|------|--------|-----------------------------|------|
| 9 | AR | . | LABELS (SHOWN IN SQUARES □) | |
| 8 | 1.75 | 6728 | WIRE, (#18AWG) | |
| 7 | 1 | 8162 | SWITCH, 4-WAY | |
| 6 | 1 | 5433 | SELECTOR SWITCH | |
| 5 | 1 | 8202 | SWITCH | |
| 4 | 1 | 7225 | PLATE, SWITCH | |
| 3 | 1 | 7235 | LEGEND PLATE | |
| 2 | 1 | 5462 | LEGEND PLATE | |
| 1 | 1 | 8201 | LEGEND PLATE | |

Drawn: RPA 12/7/00
Checked: APVD
Date: 12/7/00
Title: CONTROL STATION
Part No.: 8779X-S
Rev: A
Scale: FULL
Sheet: 1 of 2

Selection Table

| Searchlight Model Number | Description | Reference |
|--------------------------|---------------------------------------------------------------------------------------------------------------------------------------------------------------------------------------|--------------------------|
| 19SL8660D | 19-inch (483mm) Diameter Halogen Searchlight, mounted on a Joystick Controlled <u>Standard</u> motorized Pan/Tilt Base | See DWG at Top of Page 2 |
| 19SL8660D-H | 19-inch (483mm) Diameter Halogen Searchlight, mounted on a Joystick Controlled <u>Standard</u> motorized Pan/Tilt Base, and includes thermostatically controlled Anti-icing Heaters. | See DWG at Top of Page 2 |
| 19SL8660D-CR | 19-inch (483mm) Diameter Halogen Searchlight, mounted on a Joystick Controlled <u>Slip-Ring</u> motorized Pan/Tilt Base | See DWG at Top of Page 2 |
| 19SL8660D-CRH | 19-inch (483mm) Diameter Halogen Searchlight, mounted on a Joystick Controlled <u>Slip-Ring</u> motorized Pan/Tilt Base, and includes thermostatically controlled Anti-icing Heaters. | See DWG at Top of Page 2 |

| Joystick Controller Model Number | Description | Reference |
|----------------------------------|-------------------------------------------------------------------------------------------------------------------------------------------------------------------------------------------------|--------------------------------|
| C5777-S-2 | Joystick Controller, 115VC, with Beam-Speed Dial. Note: Used when only <u>one</u> Joystick controls the same searchlight. | See DWG at Bottom of Page 2 |
| C5777-S-230 | Joystick Controller, 230VC, with Beam-Speed Dial. Note: Used when only <u>one</u> Joystick controls the same searchlight. | See DWG at Top of Page 3 |
| 8779X-S | Joystick Controller, 115VC, with Beam-Speed Dial. Note: Used when <u>two or more</u> Joysticks control the same searchlight, and must connect to Relay Controller 8973XS-1 (see below) | See DWG at Bottom of Page 3 |
| 8973XS-1 | Relay Controller. Note: One per searchlight is required, and used in conjunction with two or more 8779X-S Joystick Controllers. Size: 12-in (W) x 16 (T) x 6.62 (D); (305mm x 406mm x 168mm) | DWG can be supplied on request |

NOTE: The above searchlights are aimed with remote Joystick Electric Controls, and include a Medium Prefocus Lampholder with a Unique Shock Absorbing Base. For other Lampholders (i.e. Mogul Prefocus, Mogul Bipost or 2-Pin Prefocus), or to specify optional features, such as the NightFINDER™ Thermal Camera, the LED Hybrid Feature, or SmartVIEW™ Controls, consult Factory



“Leaders in Searchlight Technology for over 122 Years”