

350 Watt Xenon Yacht Searchlight

Joystick Electric Control and Electric Beam-size Focus!

Features



Classic Sparkling Beauty and Immense Power for the most discriminating Yacht Owner!

- **Beam Intensity:** 25 Million Beam Candlepower illuminates an object/person approximately 5002 meters away on a clear night!
- **Electric Beam-Size Focus:** Beam can be widened and narrowed remote electrically, throughout a continuous spectrum.
- **Beam-size Focus Knob:** External Knob changes beam-size with no tools, and provides back-up should the focus motor fail.
- **Proportional-Speed Joystick:** Speed and Direction are controlled by Joystick... i.e. "Move Joystick to the first position and Beam moves slowly... move Joystick further and it speeds up!"
- **Bullet-Resistant Reflector...** Virtually indestructible Nickel Material helps prevent breakage if fixture is hit by bullets or rocks.
- **Finish...** Chrome Finish or White Powder (Custom Colors also)
- **Anti-icing Heater: (optional):** Thermostatically-controlled heaters are located in the Base to prevent ice build-up.
- **Azimuth Position Indicator (optional):** Position Indicator panel displays the Beam Aiming-Position in degrees.
- **NightFINDER™ Thermal Camera (optional):** Embedded Thermal Camera provides additional Night Vision Capability and the Searchlight Beam and Camera track on the same target.
- **SmartVIEW™ Control (optional):** Micro-processor controls provide intelligent switching throughout a BUS Network, with multiple protocols: TCP/IP, RS232/422, RS485 and NMEA 0183.
- **High Powered Strobe (optional):** Powerful Nonlethal Deterrent disorients intruder and denies night vision.
- **LED Hybrid (optional):** Auxiliary LED Light Modules project a "Wall of Light", 150 Meters Wide and 200 Meters away, for strategic short range and wide area lighting.
- **Detachable IR Filter (optional):** provides covert surveillance when used with Lowlight Cameras and NV Goggles.

Searchlight Specifications

Electric Beam-Size Focus: 1 to 20° (throughout continuous spectrum)

Temperature Range: -25 °C to +48 °C (approx.)

Environmental Protection: IP56

Power Consumption: 115VAC/7 Amps or 230VAC/3.5 Amps; 50/60HZ

Vertical Span: +35° to -35° (Total 70° approx..)

Horizontal Span: Beyond Full Circle (385 Degrees with Sliding Stop)

Beam Speed (approx.): 12° per sec (Horiz/Fast); 3° per sec (Horiz/Slow)

Lamp: 350 Watt, Xenon Short Arc, 6500 °Kelvin

Beam Intensity: 25 Million Candela

Distance Serviced measuring 1 LUX: 5002 Meters on a clear night.

Reflector: Precision Electroformed, Nickel Material, Bullet-Resistant

Materials: Brass or Marine Grade Aluminum with Stainless Fasteners

Finish: Salt-resistant, Scratch-resistant Powder Coat or Brass Chrome



Photo courtesy of FEADSHIP of Holland



"Leaders in Searchlight Technology for over 122 years"

“Proportional-Speed” Joystick provides Single-Hand operation!

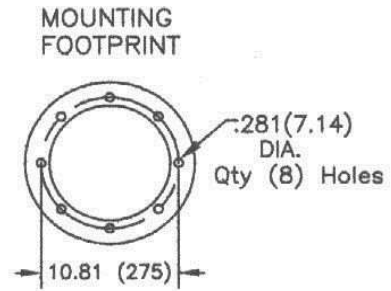
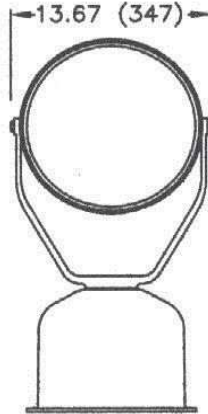
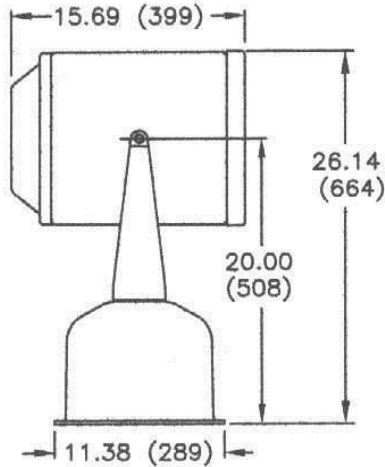


The Carlisle & Finch Company offers a “Proportional-Speed Joystick”, which controls the Beam-Speed and Beam-Direction by moving the Joystick with a single hand... i.e. “move the Joystick to the first position, and the Beam moves slowly... move it further and the Beam speeds up!”. Since the need for an additional Speed-Dial or Fast/Slow Switch has now been eliminated (which requires the user to use two hands of operation), the operator can now use his/her free hand to steer the vessel, hold binoculars, or hold a fire arm. Additional Control Functions are: Beam-ON, Beam-OFF, Electric Beam-size Focus, Proportional-Speed Joystick (described above), and Beam-On Indicator light (offered on Indoor Stations-only).



“Leaders in Searchlight Technology for over 122 Years”

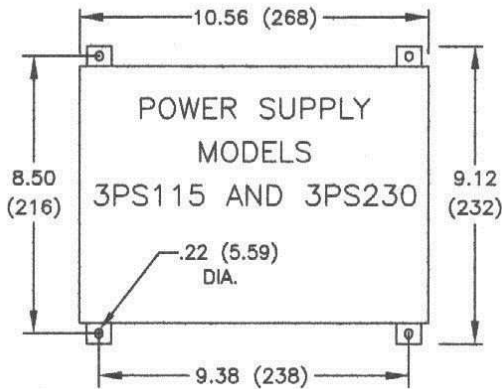
Dimensions in Inches (mm)



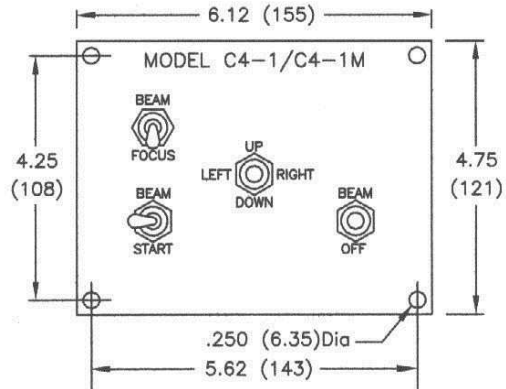
Searchlight Weight = 43lb (19.5kg)

Power Supply: Compact Electronic Current-Regulated Supply. Regulated Current increases lamp-life by keeping lamp current constant despite voltage input changes. Solid State Electronics includes Universal Power Input Feature, providing 115 Volts AC and 230 Volts AC inputs on the same printed circuit board. Current dimming switch adjusts amperage throughout a continuous spectrum.

Joystick Control Stations: Remote control functions include Lamp ON/OFF, Electric Beam-size Focus, and Advanced Joystick which controls Speed and Direction simultaneously with one hand... "move the joystick to the first position and it will move slowly, move it further and it will go faster". One Master Station (C4-1) is required with each system, and any number of Slave Stations, indoor (C4-1M) and outdoor (C4E1M-1), can be added. If you desire an outdoor Slave Station, not flush-mounted, but in a Weatherproof Box, specify C4E1M(consult Factory for Dimensional Data).



Power Supply Depth = 5.63 in (143mm)
Power Supply Weight = 7.5lb (3.4kg)



C4-1-1 Master Station.....Depth = 6.5 in (166mm)
C4-1M-1 and C4E1M-1-2 Slave...Depth = 3.5 in (89mm)

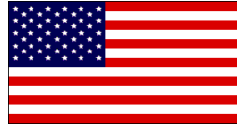
How to Specify a System... start at the left and read across table. Select Searchlight Model Number (Chrome or Powder Coat), 115 Volt or 230 Volt Power Supply and one C4-1-1 Master Station. Any quantity of slave stations can be added. For inside mounting select Slave Station C4-1M-1, and for Slave Stations mounted outside in the weather, select C4E1M-2 (Flush-mounted in Console). If you desire an Outdoor Slave Station, mounted in a Weatherproof Box and not flush-mounted in a console, select C4E1M and consult Factory for Dimensional Data. For Optional Azimuth Indicator, Anti-icing Heaters and Thermal Camera, consult Factory.

Searchlight Chrome or Powder Coat	Power Supply 115VAC or 230VAC	Master Station (Inside)	Slave Station (Inside)	Slave Station (Outside)
XY3CDE-24BRF3 or XY3EDE-24ARF3	3PS115 or 3PS230	C4-1-1	C4-1M-1	C4E1M-1-2

Sample Specification: A 350 Watt Searchlight with Powder Coat Finish, 230 VAC Power Input and two flush-mounted Joystick Control Stations(one inside and one outside in the weather)....Select Searchlight Number XY3EDE-24ARF3, Power Supply Number 3PS230, Master Station Number C4-1-1 and Slave Station Number C4E1M-1-2.



“Leaders in Searchlight Technology for over 122 Years”



Carlisle & Finch 350 Watt Xenon Testimony



After the 9/11 terrorist attack, the U.S. Navy standardized on the Carlisle & Finch 350 Watt Xenon Searchlight for Security and Force Protection, and uses the high powered beams, as a Non-lethal deterrent, against terrorists. Currently, C&F 350 Watt Xenon Searchlights are installed at every Naval Base East of the Mississippi River, and they are also used for high intensity, anti-terrorist perimeter ship lighting, on the latest U.S. Navy Guided Missile Destroyers (The DDG Arleigh Burke Class). The 350 Watt Xenon Searchlight has become the standard of all of the latest generation U.S. Coast Guard and Naval Patrol Boats built in the last 20 years (i.e. the 87 Foot "Coastal Patrol Boat", the 110 Foot "Island Class", the 135 Foot "Fast Response Cutter", the 175 Foot Navy "Cyclone Class", and US Navy "Joint High Speed Vessel" Class). This product has an assigned National Stock Number, and the spare parts are provisioned within the National Stock System.

Please read the following unsolicited testimony from Chip Swicker, the then-current Commander of the USS John McCain. His ship is a Guided Missile Destroyer, one of the Advanced High Tech "Arleigh Burke Class", which are the latest U.S. Destroyer Ship Designs. These 350 Watt Xenon fixtures are being used strategically for anti-terrorist, perimeter ship lighting.

***"THESE LIGHTS ARE AMAZING!
In the humid air of the Arabian Gulf,
the beams reach out like solid rods of
white light when the top-mounted focus
knob is dialed in. I am at 25 knots now,
heading out to chase the Bad guys, and
will be able to light'em up for real
starting tomorrow night. THANKS
FOR BRINGING A GREAT
PRODUCT TO OUR FLEET! "***

Cheers, CDR Swicker



**350 Watt Searchlight above at
Groton Naval Station Pier**



"Leaders in Searchlight Technology for over 122 Years"