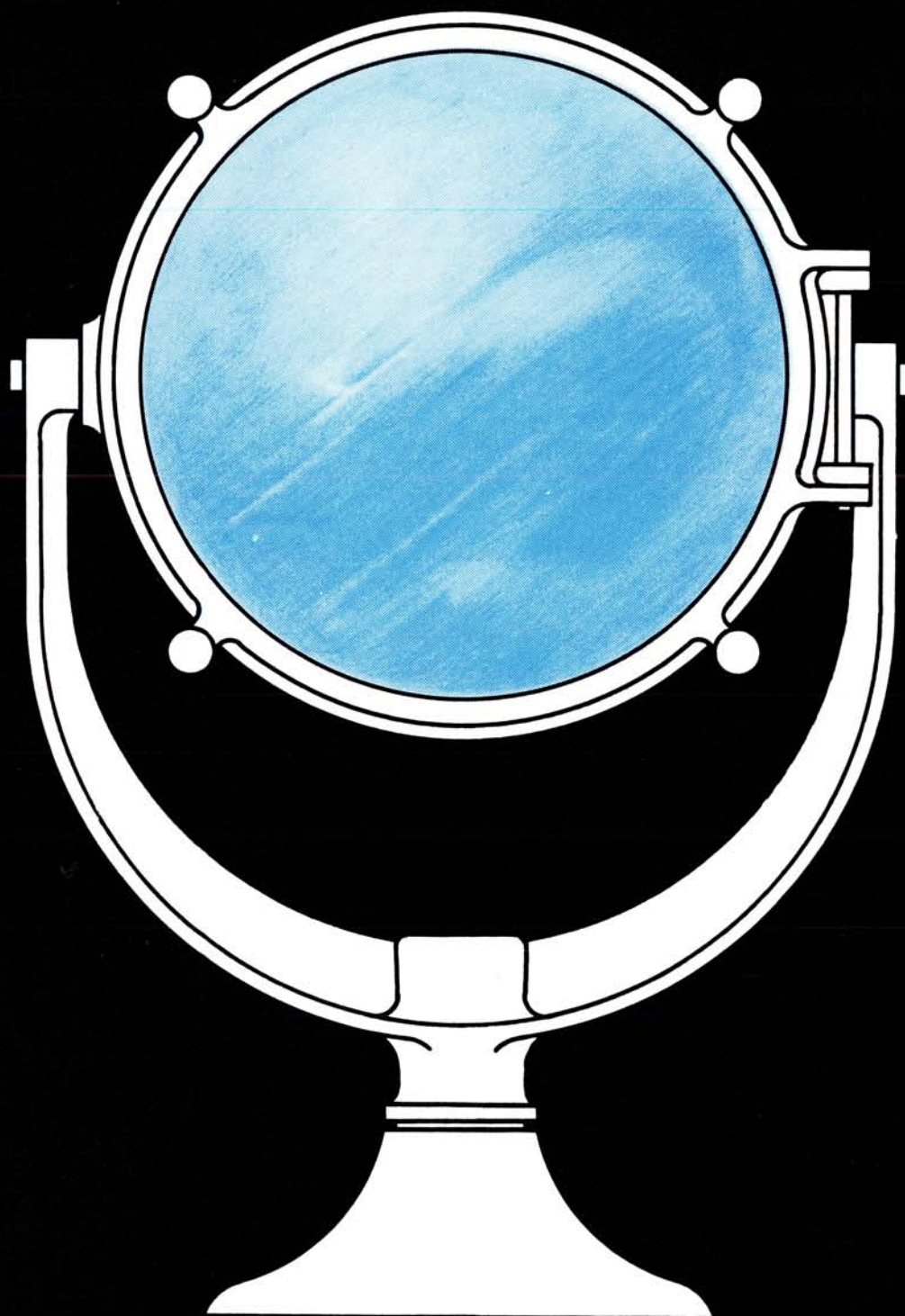


# **19 inch Incandescent Searchlights**

**The Carlisle &  
Finch Company**





These searchlights are designed in conformance with IEEE recommendations for rugged marine use and high security outdoor lighting applications.

---

## Bases

---

Four base options are made out of high strength corrosion resistant marine grade aluminum:

1. **Standard Marine Base.** Contains sliding stop allowing horizontal rotation in excess of 360 degrees without damaging cables. Three conductor heavy-duty flexible weatherproof cable enter base and drum through stuffing tubes and extends approximately two feet below the base. See Figure 1.
2. **Pedestal Marine Base.** Same as Standard Marine Base except taller. Any custom height can be specified. See Figure 3.
3. **Standard Prison/Security Turntable Base.** Slip rings and brushes provide unlimited continuous rotation guaranteeing that the searchlight will never come to a mechanical stop. Unrestricted movement is necessary when emergency conditions occur in high security applications. Three single conductor heavy-duty weatherproof cables extend approximately two feet below the base. See Figure 2.
4. **Pedestal Prison/Security Turntable Base.** Same as Standard Turntable Base except taller. See Figure 4. Consult factory for any custom height.

---

## Drums

---

Constructed of high strength corrosion resistant marine grade aluminum, the drum has a hinged door fastened by four clamps and houses a high quality silvered glass reflector. Louver assembly mounted in front of lamp eliminates front spill light. Heat-tempered cover glass and gaskets make drum weatherproof. Interior finished with heat-resistant flat black paint, exterior surfaces white enamel.

---

## Lampholders

---

Several different types accommodate many lamps. See lamp listings and beam candlepower on page 3.

1. Mogul Bipost
2. Mogul Prefocus
3. Mogul Screw
4. 2-Pin Prefocus
5. Medium Prefocus (accommodates largest variety of lamps)

**Vibration/Shock Mount.** All Medium Prefocus Lampholders are mounted on a special shock absorbing base which helps prevent lamp breakage due to excess vibration.

Focus fore and aft can be accomplished quickly and simply by turning knob beneath searchlight drum.

---

## Controls

---

Five styles of manual controls are constructed of all brass. O-ring seals prevent leakage around control shafts.

1. **Local Control.** No pilot house controls. Searchlight has training handle on drum and hand clamps to lock searchlight in any position. See Figs. 1/ 2, 3, and 4.
  2. **Lever-Gear Control.** Operates conveniently with one hand. Horizontal movement controlled by pointing lever, vertical by twisting lever. Vertical lock conveniently located on control handle. Ceiling lock clamps horizontal movements. See Figs. 5, 9A, and 9B.
  3. **Wheel Control.** Upper wheel controls horizontal movements, lower wheel vertical movements. Friction brake holds searchlight in any vertical position. Ceiling lock clamps horizontal movements. See Fig. 6.
  4. **Lever Twist-Lock Control.** Single lever controls all movements. Spring loaded friction brake holds searchlight in any vertical position which can be easily and quickly locked by twisting control handle. Ceiling lock clamps horizontal movements. See Fig. 7.
  5. **Distant Mechanical Control.** Similar to items 2 and 3. See Figs. 10A and 10B.
- Distant Electric Control (DEC).** See Bulletin SL123 for these searchlights controlled from one or more control stations.

---

## Special Features

---

Searchlight can be tailored to suit your exact needs by specifying these features at time of order.

- A. **Special control length.** Longer or shorter than standard .
- B. **Special pedestal height.** Higher or lower than standard.
- C. **Special length electrical cable.** Longer than standard.
- D. **All Brass and Stainless Steel.** Instead of Marine Grade Aluminum. Consult Factory.
- E. **Vibration/Shock Mount.** Specify Medium Prefocus Lampholder.
- F. **Special Prison/Security Base.** Specify any Turntable Base.
- G. **Remote Electric Beam-Size Focus.** Allows beam to be widened (short range) and narrowed (long range) from a remote electric switch. Add "-RF" to searchlight catalog number and specify control station number C2-5.

## Searchlight Lamp Data

Lamp Code	Watts	Volts	Base	Type	*Rated Life (Hrs.)	**Candlepower
BTM	500	120	Medium Prefocus	Tungsten Halogen	100	2,971,000
CZX	500	120	Medium Prefocus	Incandescent	25	2,200,000
BTP	750	120	Medium Prefocus	Tungsten Halogen	200	3,981,000
DPJ	750	120	Medium Prefocus	Incandescent	25	4,260,000
BVA	900	120	2-Pin Prefocus	Tungsten Halogen	75	4,600,000
BTR	1000	120	Medium Prefocus	Tungsten Halogen	250	4,300,000
DRS	1000	120	Medium Prefocus	Incandescent	25	4,410,000
DWK	1000	230	Medium Prefocus	Incandescent	50	1,600,000
FKN	1000	230	Medium Prefocus	Tungsten Halogen	200	1,800,000
BVV	1000	120	Mogul Prefocus	Tungsten Halogen	250	4,300,000
DRW	1000	120	Mogul Screw	Incandescent	25	4,410,000
IM/T20BP	1000	120	Mogul Bipost	Aero	500	2,381,000
CWZ	1500	120	Mogul Prefocus	Tungsten Halogen	325	3,614,000
CXZ	1500	120	Mogul Bipost	Tungsten Halogen	325	3,614,000
***BVW	2000	120	Mogul Prefocus	Tungsten Halogen	300	3,000,000

\* These lamp manufacturer's figures are relative only. Individual lamps may vary considerably.

\*\* These figures provided to aid in lamp selection.

\*\*\* Intermittent use only.

## Accessories & Parts

Description	Part No.	Description	Part No.	Description	Part No.
Brush, with pigtail .....	EF176	Gasket, Standard		Lampholder, Mogul Bipost ..	FE132X
Cover, Protective .....	SL3322C	Turntable Base .....	4093B	Lampholder, Mogul Prefocus .	SL978
Cover Glass .....	EF239	Gasket, Pedestal		Lampholder, Mogul Screw .....	SL96
Gasket, Standard		Turntable Base .....	4093C	Lampholder, 2-Pin Prefocus ....	8704
and Ped Base .....	SL3356	Lampholder, Medium Prefocus with		Louver Assy. ....	9656X
		Special Shock Mount .....	7540X	Reflector .....	EF240

## How to Order Searchlights

**Specify 19-inch incandescent searchlight with a. Base, b. Controls, c. Lampholder, d. Catalog Number and describe Special Features e.**

### a. Bases

Standard  
Standard Turntable  
Pedestal  
Pedestal Turntable

### b. Controls

Local  
Lever-Gear  
Wheel  
Lever Twist-Lock  
Distant Mechanical Wheel  
Distant Mechanical Lever-Gear

### c. Lampholder

Mogul Bipost  
Mogul Prefocus  
Mogul Screw  
Medium Prefocus  
2-Pin Prefocus

### d. Code or Cat. No.

Choose from Selection Table

**e. Special features available at extra charge when specified on order.**

**Special control lengths.** Longer or shorter than standard. Give dimension from bottom of base to center line of lever or large wheel. Order parts to anchor lower end of extra long lever-gear controls (Figs. 9A & 9B) by part no. and name and give dimensions A and B.

**Special pedestal height.** Higher or lower than standard. Specify height from bottom of base to center line of drum.

**Special length electrical cable.** Specify length from bottom of base to end of cable.

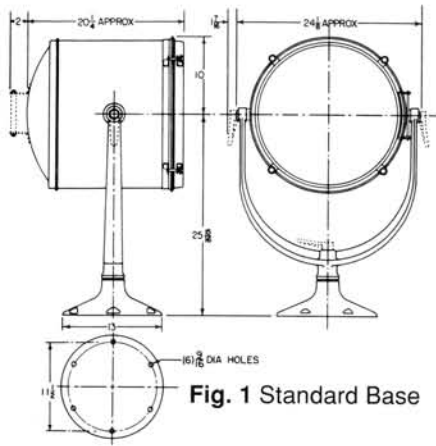
**All Brass and Stainless Steel. Instead of Marine Aluminum.**

**Example.** 19-inch Searchlight with Standard Base, Lever-Gear Control, Medium Prefocus Lampholder with Shock Mount Design, Catalog Number 19SL3794DX. Special control 32 inches from base to centerline of lever (see Figure 5, Page 5). Two lamps Code BTR.

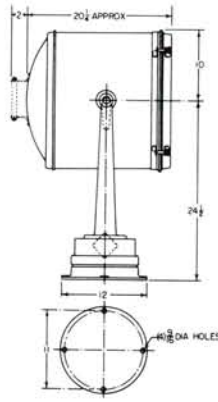
# Searchlight Selection Table

Base	Control	Searchlight Model or Catalog No.				2-Pin Prefocus	Approx. Lbs.	
		Mogul Bipost	Mogul Prefocus	Mogul Screw	Med. Prefocus		Net	Ship
<b>Standard Base</b> Horizontal rotation in excess of 360° but limited by positive mechanical stops to prevent mechanical damage to cable by excessive rotation. (Fig. 1)	Local (Fig. 1)	REDUNDANT	REDUNDANT-A	REDUNDANT-B	REDUNDANT-D	REDUNDANT-E	51	76
	Lever-Gear (Fig. 5)	19SL3794X	19SL3794AX	19SL3794BX	19SL3794DX	19SL3794EX	65	90
	Wheel (Fig. 6)	REDCOAT	REDCOAT-A	REDCOAT-B	REDCOAT-D	REDCOAT-E	65	90
	Lever Twist-Lock (Fig. 7)	RIOT	RIOT-A	RIOT-B	RIOT-D	RIOT-E	65	90
	Distant Mechanical Lever-Gear (Fig. 10B)	19SL4590-LG	19SL4590A-LG	19SL4590B-LG	19SL4590D-LG	19SL4590E-LG	85	115
	Distant Mechanical Lever-Gear (Fig. 10A)	19SL4590-W	19SL4590A-W	19SL4590B-W	19SL4590D-W	19SL4590E-W	85	115
<b>Standard Prison/Security Turntable Base</b> Slip rings and brushes in base allow continuous unrestricted horizontal rotation. (Fig. 2)	Local (Fig. 2)	19SL1593X	19SL1593AX	19SL1593BX	19SL1593DX	19SL1593EX	76	101
	Lever-Gear (Fig. 5)	19SL3784X	19SL3784AX	19SL3784BX	19SL3784DX	19SL3784EX	90	115
	Wheel (Fig. 6)	19SL1605X	19SL1605AX	19SL1605BX	19SL1605DX	19SL1605EX	90	115
	Lever Twist-Lock (Fig. 7)	19SL1597X	19SL1597AX	19SL1597BX	19SL1597DX	19SL1597EX	90	115
<b>Pedestal Base</b> Horizontal rotation in excess of 360° but limited by positive mechanical stops to prevent mechanical damage to cable by excessive rotation. (Fig. 3)	Local (Fig. 3)	19SL1299X	19SL1299AX	19SL1299BX	19SL1299DX	19SL1299EX	68	97
	Lever-Gear (Fig. 5)	19SL3798X	19SL3798AX	19SL3798BX	19SL3798DX	19SL3798EX	83	112
	Wheel (Fig. 6)	19SL1302X	19SL1302AX	19SL1302BX	19SL1302DX	19SL1302EX	83	112
	Lever Twist-Lock (Fig. 7)	19SL1174X	19SL1174AX	19SL1174BX	19SL1174DX	19SL1174EX	83	112
<b>Pedestal Prison/Security Turntable Base</b> Slip rings and brushes in base allow continuous unrestricted horizontal rotation. (Fig. 4)	Local (Fig. 4)	19SL1595X	19SL1595AX	19SL1595BX	19SL1595DX	19SL1595EX	88	117
	Lever-Gear (Fig. 5)	19SL3804X	19SL3804AX	19SL3804BX	19SL3804DX	19SL3804EX	103	132
	Wheel (Fig. 6)	19SL1607X	19SL1607AX	19SL1607BX	19SL1607DX	19SL1607EX	103	132
	Lever Twist-Lock (Fig. 7)	19SL1599X	19SL1599AX	19SL1599BX	19SL1599DX	19SL1599EX	103	132

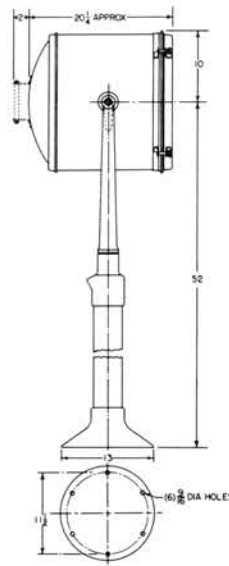
# Dimension Drawings



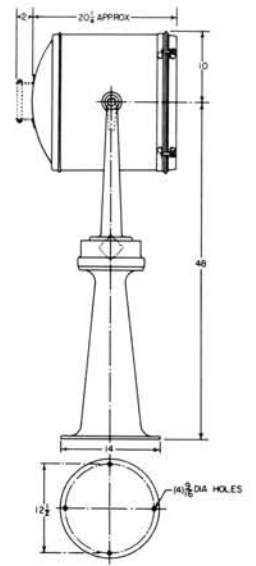
**Fig. 1 Standard Base**



**Fig. 2 Standard Turntable Base**

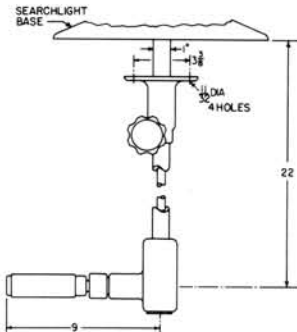


**Fig. 3 Pedestal Base**

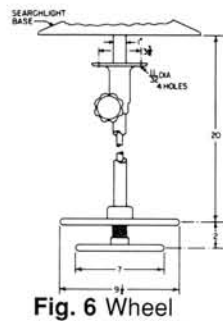


**Fig. 4 Pedestal Turntable Base**

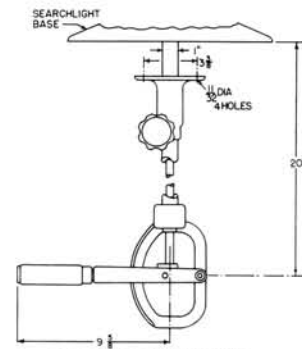
Combine base and control figures for complete searchlight.



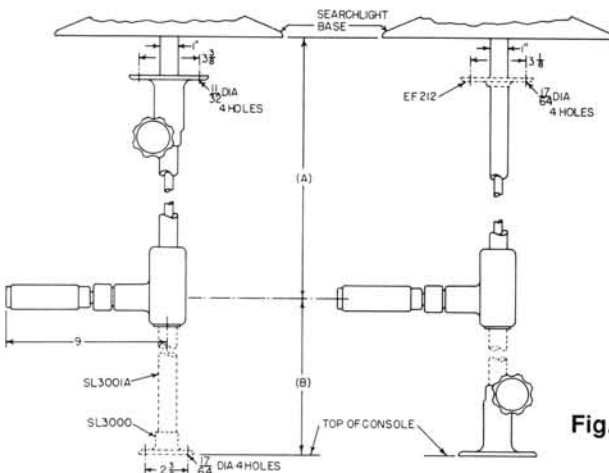
**Fig. 5 Lever-Gear Control**



**Fig. 6 Wheel Control**

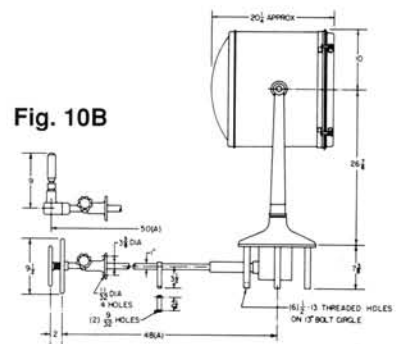


**Fig. 7 Lever Twist-Lock Control**



**Fig. 9B**

**Fig. 9A**  
Alternate arrangements for lever-gear control with extra long control shafts. Parts shown as dashed lines priced separately.



**Fig. 10B**

**Fig. 10A Distant Mechanical Control (DMC)**

NOTE: The specifications and details described by drawings and or text in this literature are subject to change without notice.



# The Carlisle & Finch Company

4562 West Mitchell Avenue  
Cincinnati, Ohio 45232  
513-681-6080  
Fax 513-681-6226



Pedestal Base  
Lever Twist-  
Lock Control  
Model 19SL1174DX



Standard Prison/Security  
Turntable Base  
Lever Twist-Lock Control  
Model 19SL1597DX



Pedestal Prison/Security  
Turntable Base  
Lever Twist-Lock Control  
Model 19SL1599DX



Standard Base  
Wheel Control  
Model Redcoat-D



Standard Base  
Lever-Gear  
Control  
Model 19SL3794DX



Pedestal Base  
Local Control  
Model 19SL1299DX



Standard Base  
Distant Mechanical  
Control  
(Consult Factory)

**Other Products.** 10/12/15-inch Incandescent searchlights, 24-inch Incandescent searchlights, Xenon searchlights, Searchlight Power Supplies, Signalling Searchlights, Marine Floodlights, Navy Searchlights/Navigation Lights, Lighthouse Beacons, and special Marine Lighting Equipment.

**Manufacturers of high quality lighting fixtures for over 100 years.**