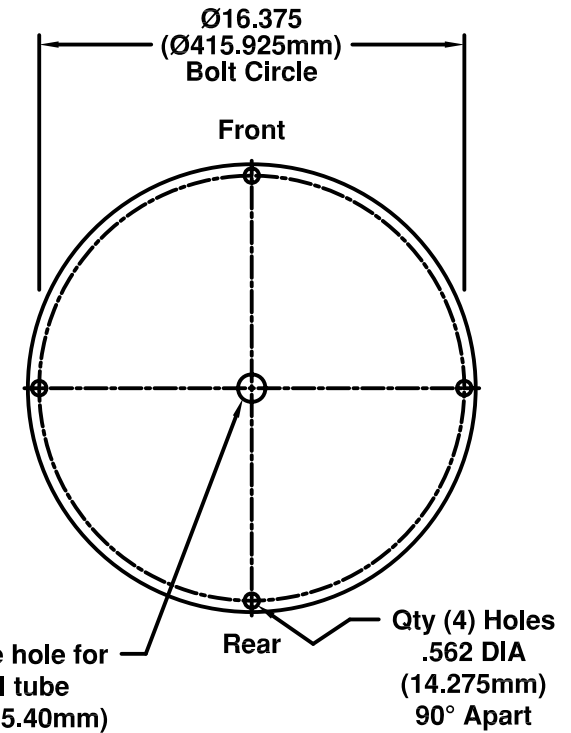
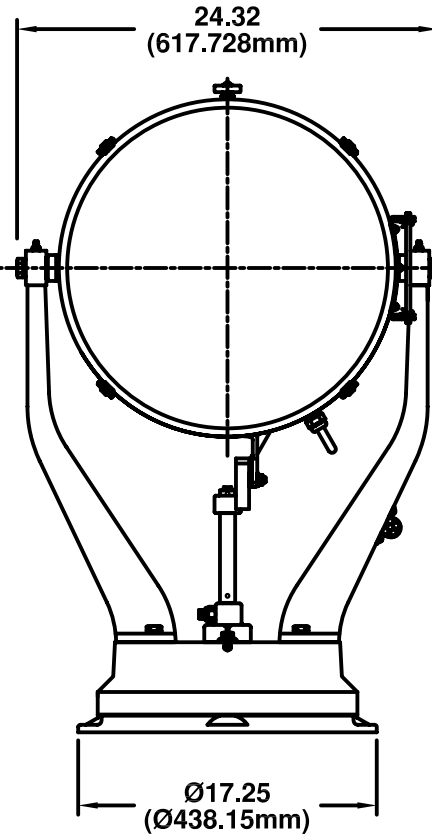
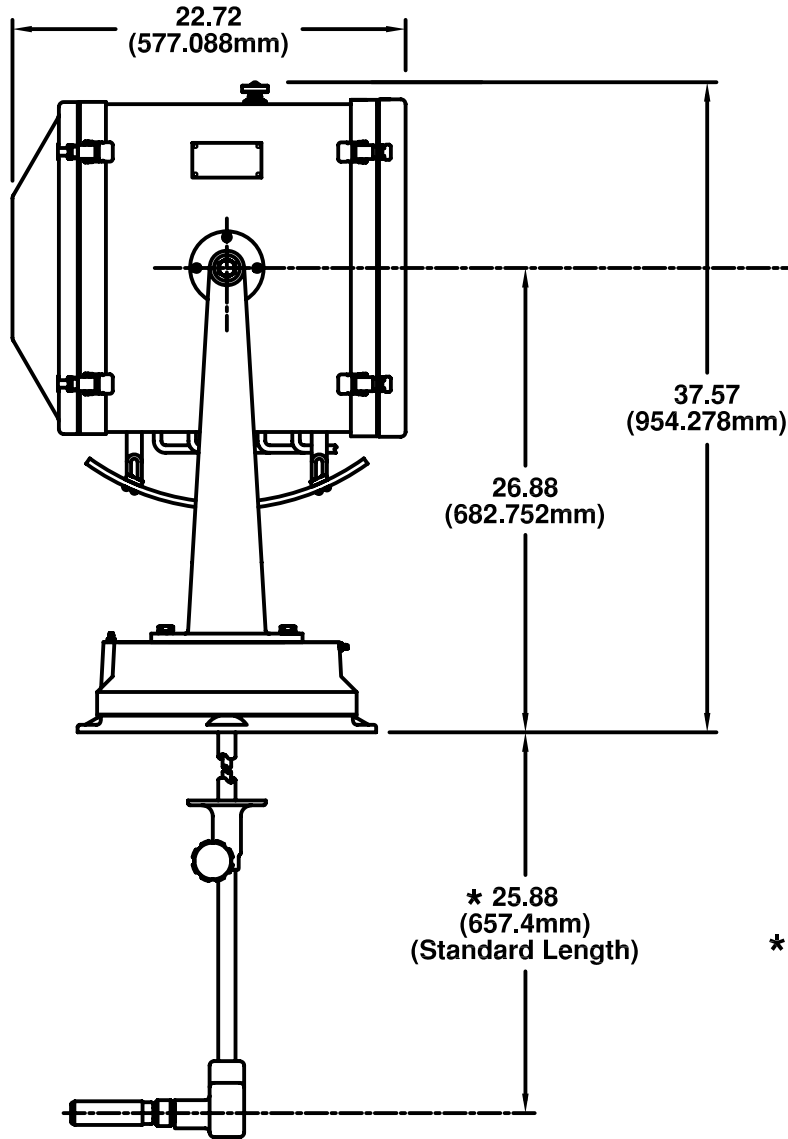




1000 Watt Xenon Searchlights

Models XE9664LG-RF and XE9664LG-HRF

Dimensions in Inches (mm)



* NOTE: This control length can be any length as specified by customer. Consult factory for custom dimension.

Weight = 80 LB (37 KG)

DRAWN RPA	DATE 1/31/06	THE CARLISLE & FINCH CO. CINCINNATI, OHIO	
CHKR	APVD	TITLE 1000W SEARCHLIGHT	
SIZE F		PART NO. XE9664LG- (DIM)	REV
SCALE NONE		SHEET 1 OF 1	