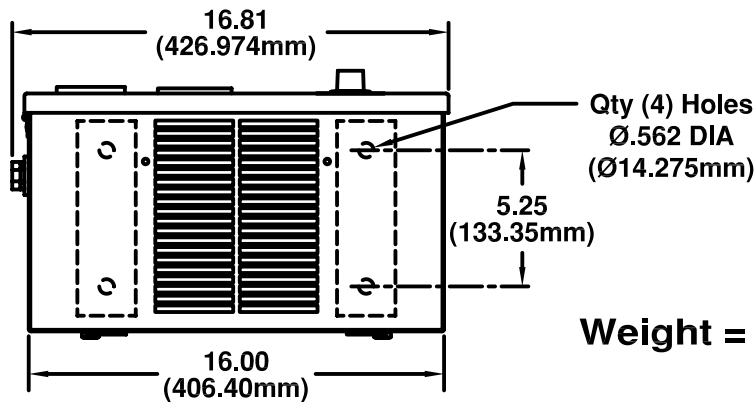
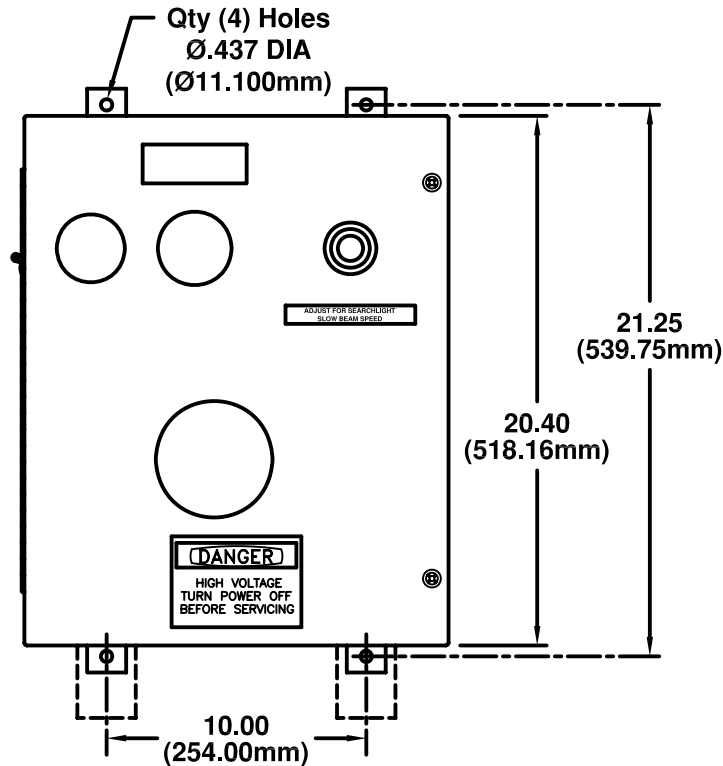
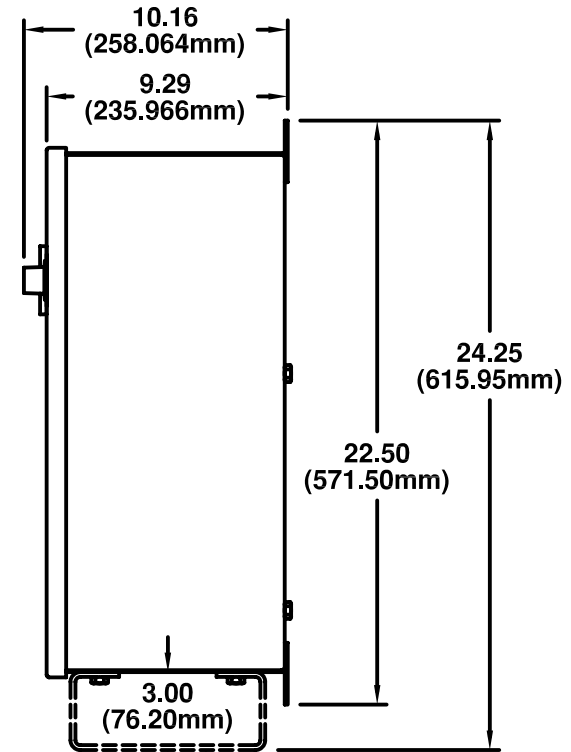




# 500 Watt Xenon Power Supply Dimensions Inches (mm)



**Weight = 95 LB (45 KG)**



NOTE: Deck Stand Kit, Model 6810X, can be ordered as an option

DRAWN <b>RPA</b>	DATE <b>9/18/06</b>	THE CARLISLE & FINCH CO. CINCINNATI, OHIO	
CHKR	APVD	TITLE <b>500W POWER SUPPLY</b>	
SIZE <b>F</b>		PART NO. <b>4198PS</b>	REV <b>-1(DIM)</b>
SCALE <b>HALF</b>		SHEET <b>1</b> OF <b>1</b>	