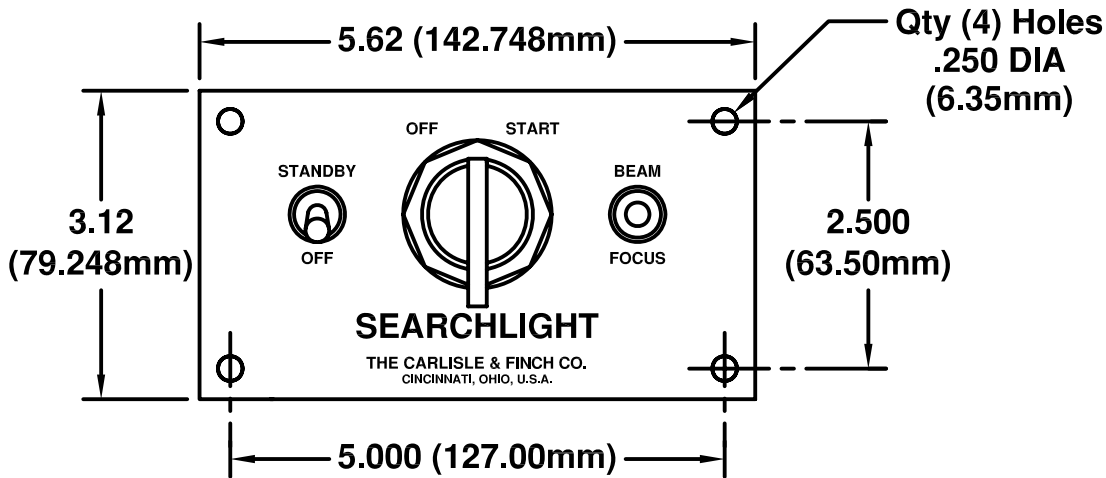
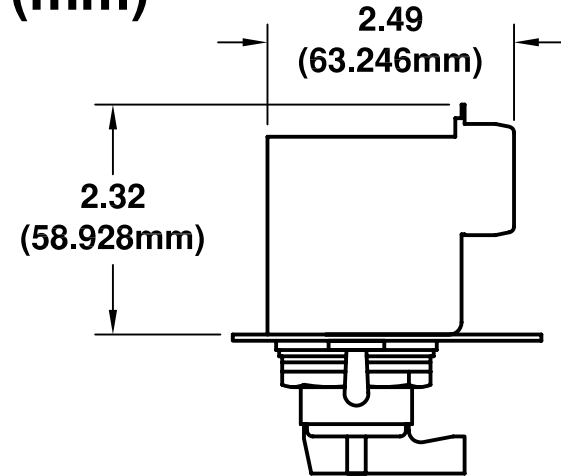
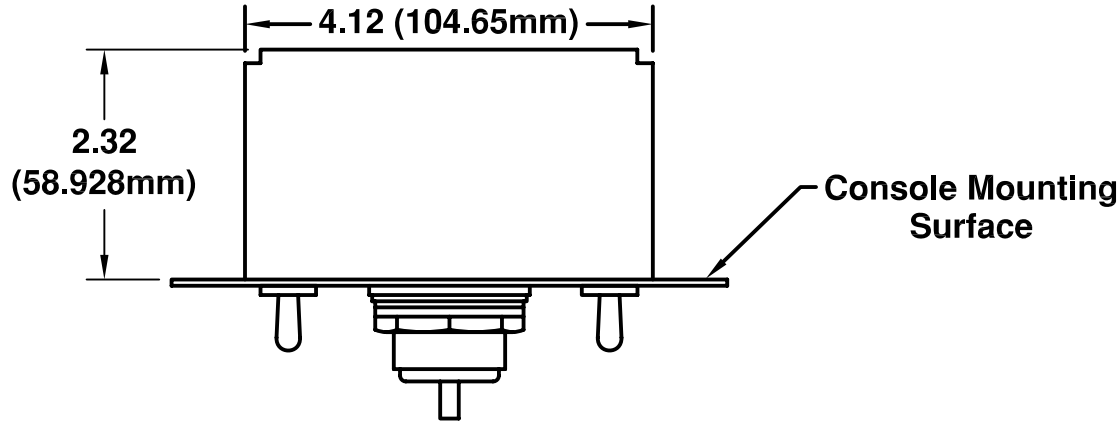




500 Watt Xenon Model 4441X-RF Control Station Dimensions in Inches (mm)



NOTE: Dimensions shown are for Control Panel recessed below console surface. Consult factory for mounting in external enclosure.

Weight = 1 LB (.45 KG)

DRAWN RPA	DATE 9/18/06	THE CARLISLE & FINCH CO. CINCINNATI, OHIO	
CHKR	APVD	TITLE 500W MANUAL CONTROL STATION	
		SIZE C	PART NO. 4441X-RF(DIM)
		SCALE FULL	REV .
		SHEET 1 OF 1	