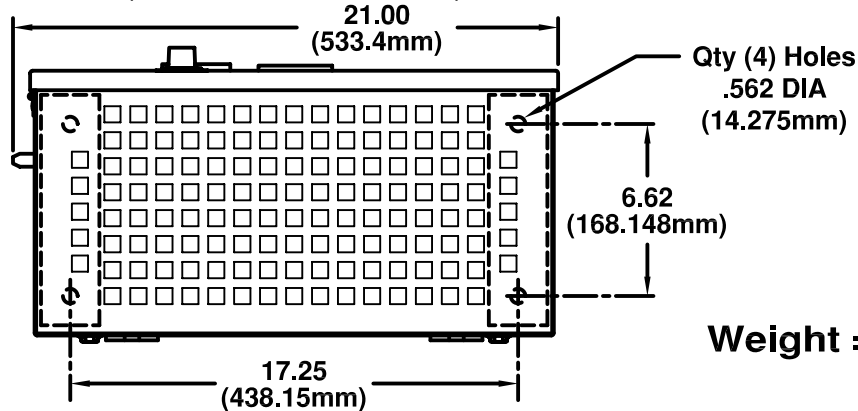
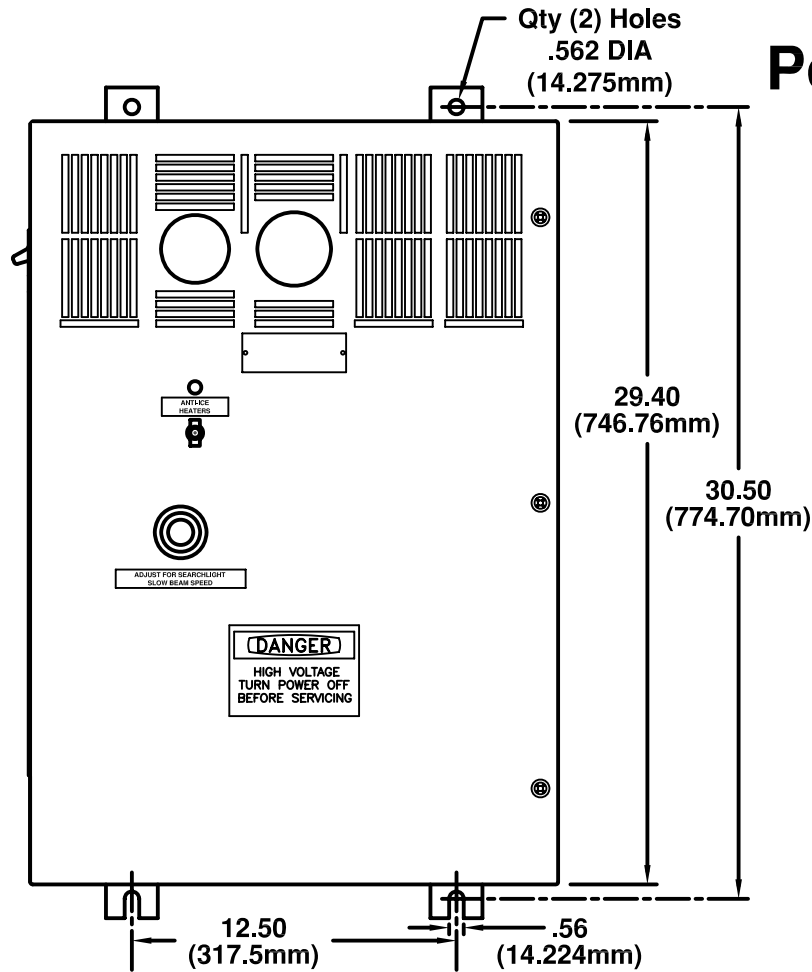
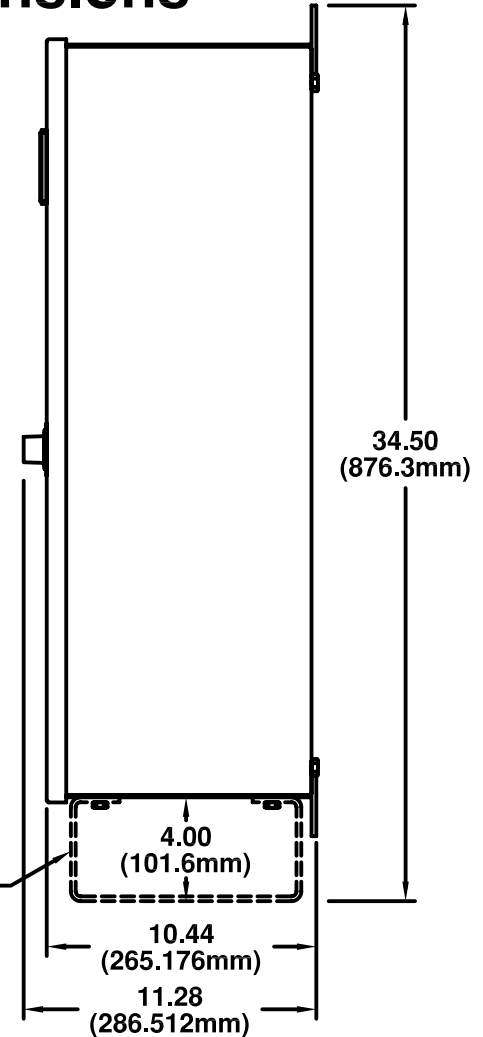




# 1000 Watt Xenon Power Supply Dimensions Inches (mm)



**Weight = 200 LB (91 KG)**



NOTE: Deck Stand Kit, Model 5287X, can be ordered as an option

DRAWN <b>RPA</b>	DATE <b>1/12/06</b>	THE CARLISLE & FINCH CO. CINCINNATI, OHIO	
CHKR	APVD	TITLE <b>POWER SUPPLY</b>	
		SIZE <b>F</b>	PART NO. <b>5275PS (DIM)</b>
		SCALE <b>HALF</b>	REV <b>.</b>
		SHEET <b>1</b> OF <b>1</b>	