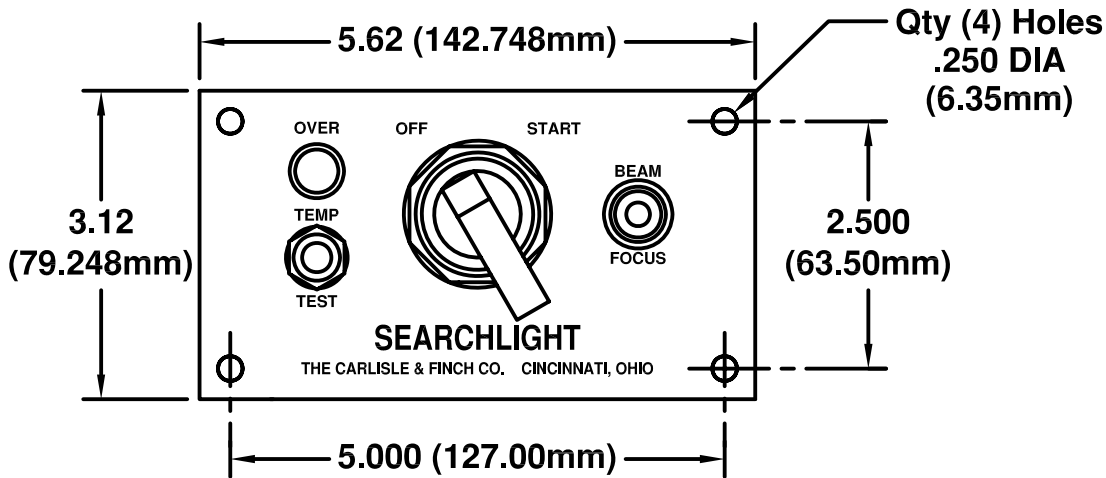
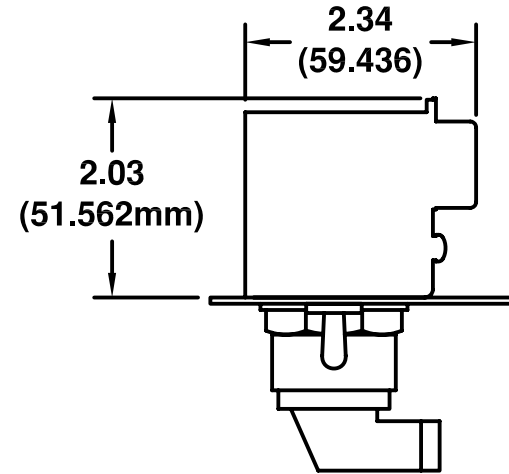
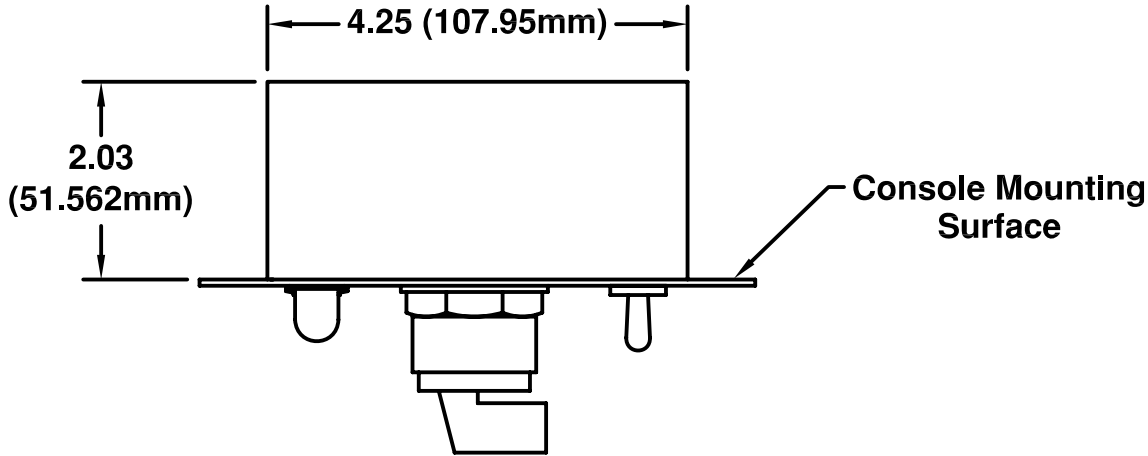




1000 Watt Xenon Model 9754X-RF Control Station Dimensions in Inches (mm)



NOTE: Dimensions shown are for Control Panel recessed below console surface. Consult factory for mounting in external enclosure.

Weight = 1 LB (.45 KG)

DRAWN	DATE	THE CARLISLE & FINCH CO. CINCINNATI, OHIO	
RPA	1/9/06	TITLE	
CHKR	APVD	CONTROL STATION	
		PART NO.	REV
		C 9754X-RF(DIM)	.
		SCALE FULL	SHEET 1 OF 1