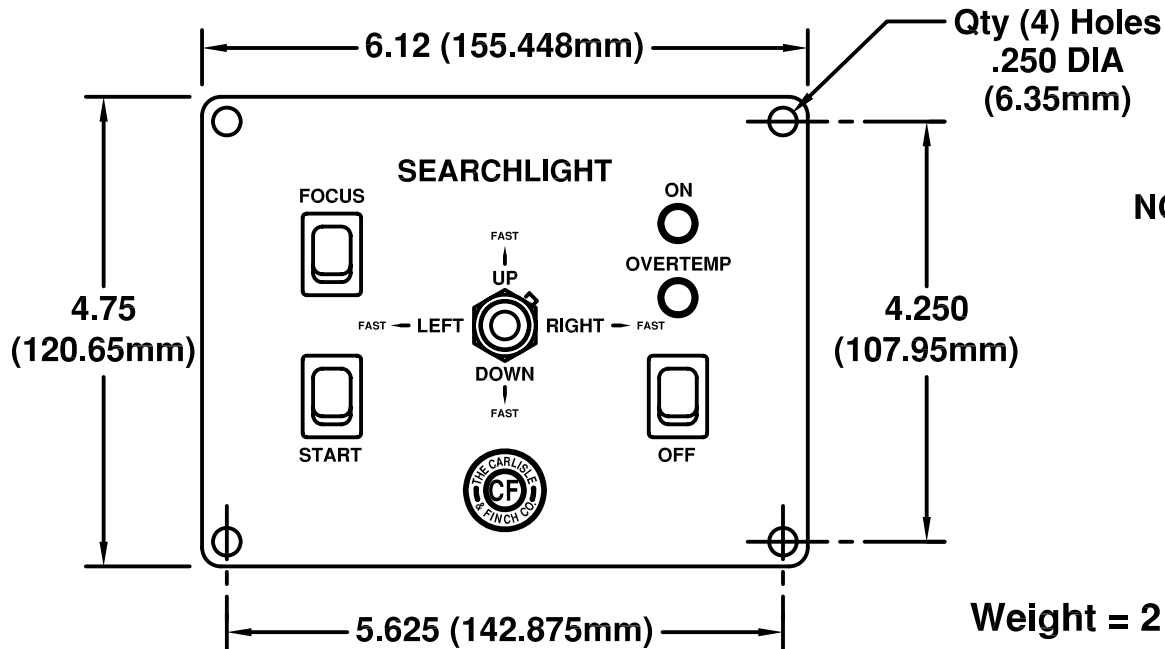
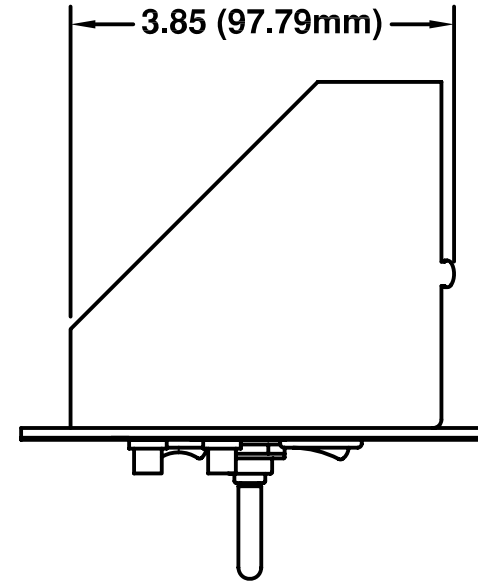
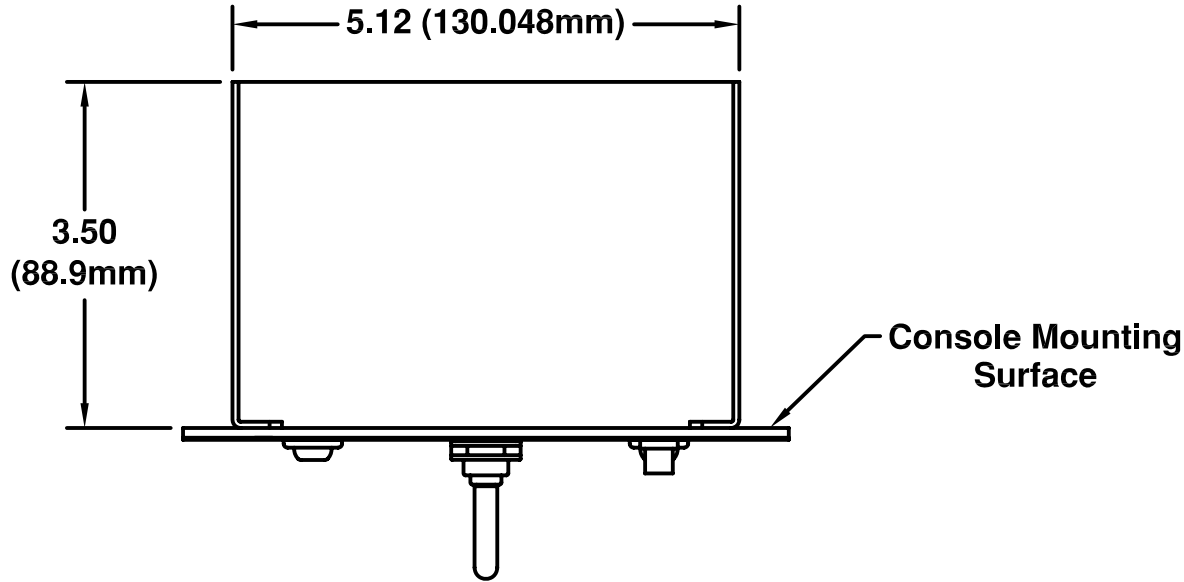




1000 Watt Xenon C4-1M-2 (Indoor) and C4E1M-2 (Outdoor) Joystick Controls Dimensions in Inches (mm)



NOTE: Dimensions shown are for Control Panel recessed below console surface. Consult factory for mounting in external enclosure.

Weight = 2 LB (.9 KG)

DRAWN RPA	DATE 1/5/06	THE CARLISLE & FINCH CO. CINCINNATI, OHIO	
CHKR	APVD	TITLE CONTROL STATION	
SIZE C	PART NO. C4_1M-2(DIM)	REV .	
SCALE FULL		SHEET 1 OF 1	