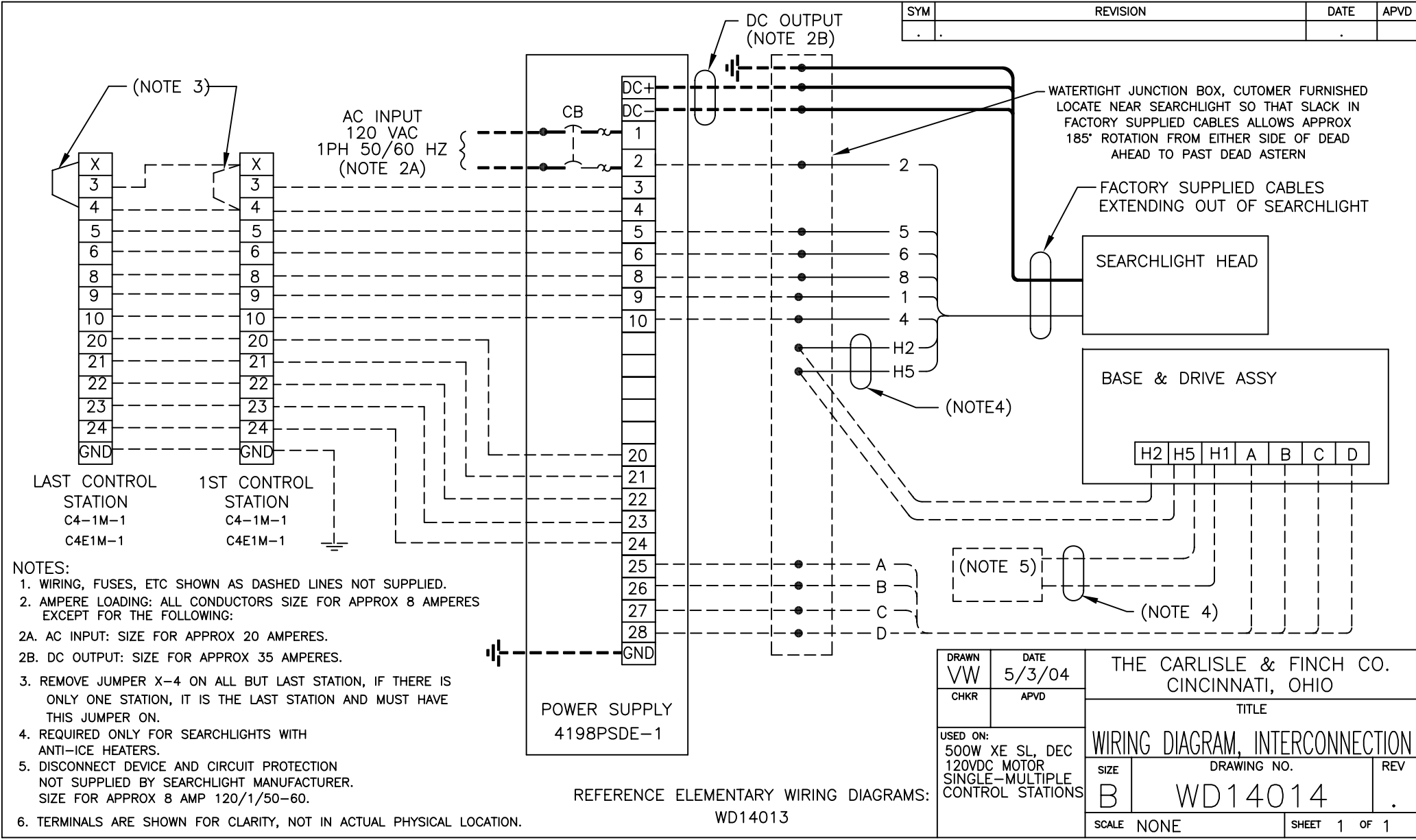


SYM	REVISION	DATE	APVD
.	.	.	.



- NOTES:
1. WIRING, FUSES, ETC SHOWN AS DASHED LINES NOT SUPPLIED.
 2. AMPERE LOADING: ALL CONDUCTORS SIZE FOR APPROX 8 AMPERES EXCEPT FOR THE FOLLOWING:
2A. AC INPUT: SIZE FOR APPROX 20 AMPERES.
2B. DC OUTPUT: SIZE FOR APPROX 35 AMPERES.
 3. REMOVE JUMPER X-4 ON ALL BUT LAST STATION, IF THERE IS ONLY ONE STATION, IT IS THE LAST STATION AND MUST HAVE THIS JUMPER ON.
 4. REQUIRED ONLY FOR SEARCHLIGHTS WITH ANTI-ICE HEATERS.
 5. DISCONNECT DEVICE AND CIRCUIT PROTECTION NOT SUPPLIED BY SEARCHLIGHT MANUFACTURER. SIZE FOR APPROX 8 AMP 120/1/50-60.
 6. TERMINALS ARE SHOWN FOR CLARITY, NOT IN ACTUAL PHYSICAL LOCATION.

REFERENCE ELEMENTARY WIRING DIAGRAMS:
WD14013

DRAWN VW	DATE 5/3/04	THE CARLISLE & FINCH CO. CINCINNATI, OHIO	
CHKR	APVD	TITLE	
USED ON: 500W XE SL, DEC 120VDC MOTOR SINGLE-MULTIPLE CONTROL STATIONS		WIRING DIAGRAM, INTERCONNECTION	
SIZE B	DRAWING NO. WD14014	REV .	
SCALE NONE		SHEET 1 OF 1	