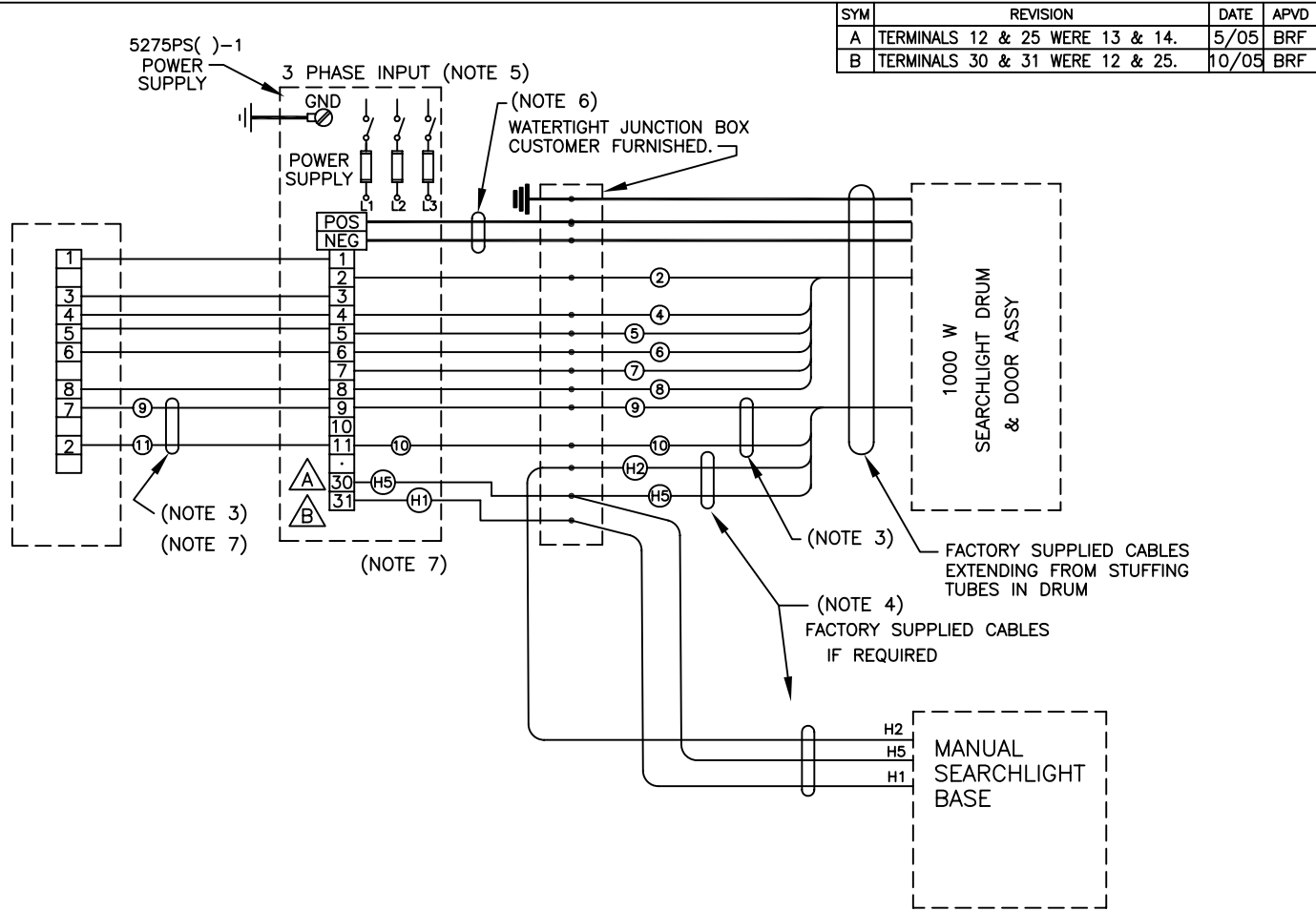


CONTROL STATIONS  
 9754X WITHOUT REMOTE FOCUS  
 9754X-RF WITH REMOTE FOCUS

INPUT CURRENTS		AMPS	
3 $\phi$ INPUT			NOTE 5
230/3/60		14	
375/3/50		12	
460/3/60		7	
575/3/60		6	



SYM	REVISION	DATE	APVD
A	TERMINALS 12 & 25 WERE 13 & 14.	5/05	BRF
B	TERMINALS 30 & 31 WERE 12 & 25.	10/05	BRF

- NOTES:
1. WIRING SHOWN ON THIS DRAWING NOT SUPPLIED UNLESS NOTED.
  3. NOT REQUIRED FOR SEARCHLIGHTS WITHOUT REMOTE FOCUS (-RF).
  4. REQUIRED ONLY WHEN HEATERS \_H ARE SPECIFIED.
  5. SEE TABLE OF INPUT CURRENTS. HEATER CIRCUIT REQUIRES ADDITIONAL 850VA ON L1 & L2
  6. D C CONDUCTORS. SIZE FOR 50 AMP MINIMUM FOR 1000W SCHLT.
  7. IF SEARCHLIGHT HAS ANTI-ICE HEATERS AND POWER SUPPLY IS NOT EQUIPPED WITH HEATER CIRCUIT, INSTALLER MUST SUPPLY DISCONNECT DEVICE AND FUSES TO SUPPLY HEATERS FROM A SEPARATE SOURCE OF 120/1/50-60 OF 7 AMP.
  8. TERMINAL NO'S SHOWN (FOR CLARITY) ARE NOT NECESSARILY IN SAME PHYSICAL LOCATION TO EACH OTHER AS THEY ARE ON THE ACTUAL TERMINAL BLOCK.

WD14002 WIRING DIAGRAM, ELEMENTARY

DRAWN	DATE	THE CARLISLE & FINCH CO.			SCALE	
VW	2/1/05	CINCINNATI, OHIO			NONE	
CKED		TITLE	WIRING DIAGRAM, CONNECTION, 1 KW XE: MANUAL CONTROL			
APPD.		CATALOG NO.	FIRST SERIAL NO.	LAST SERIAL NO.	DWG NO.	REV
					WD14401	B