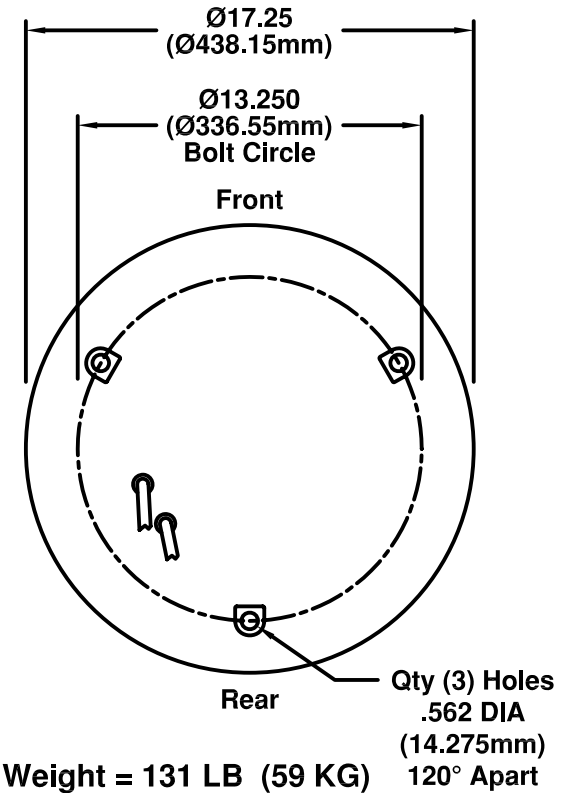
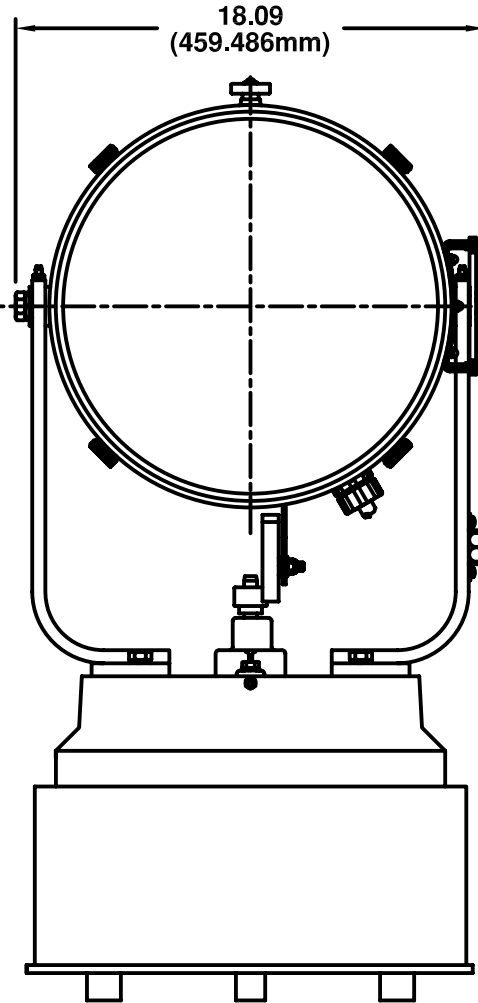
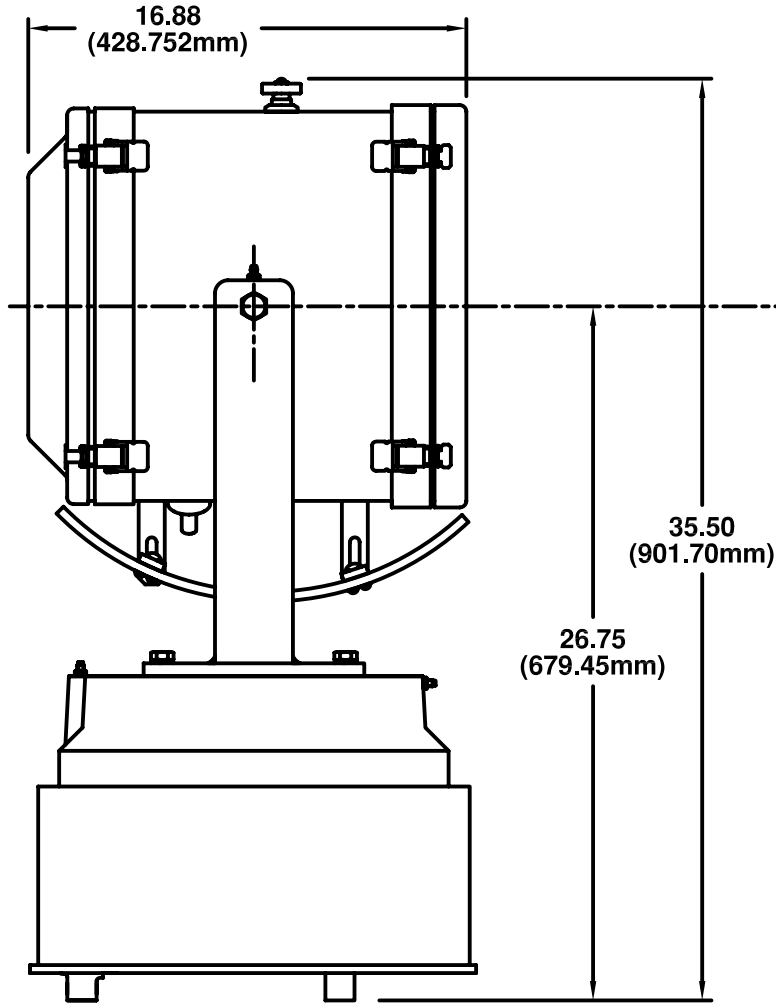




500 Watt Xenon Searchlights Models X9398-RF and X9398-HRF Dimensions in Inches (mm)



Weight = 131 LB (59 KG)

<small>DRAWN</small> RPA	<small>DATE</small> 9/18/06	THE CARLISLE & FINCH CO. CINCINNATI, OHIO	
<small>CHKR</small>	<small>APVD</small>	<small>TITLE</small> 500W SEARCHLIGHT	
		<small>SIZE</small> F	<small>PART NO.</small> X9398- (DIM)
		<small>SCALE</small> HALF	<small>SHEET</small> 1 <small>OF</small> 1