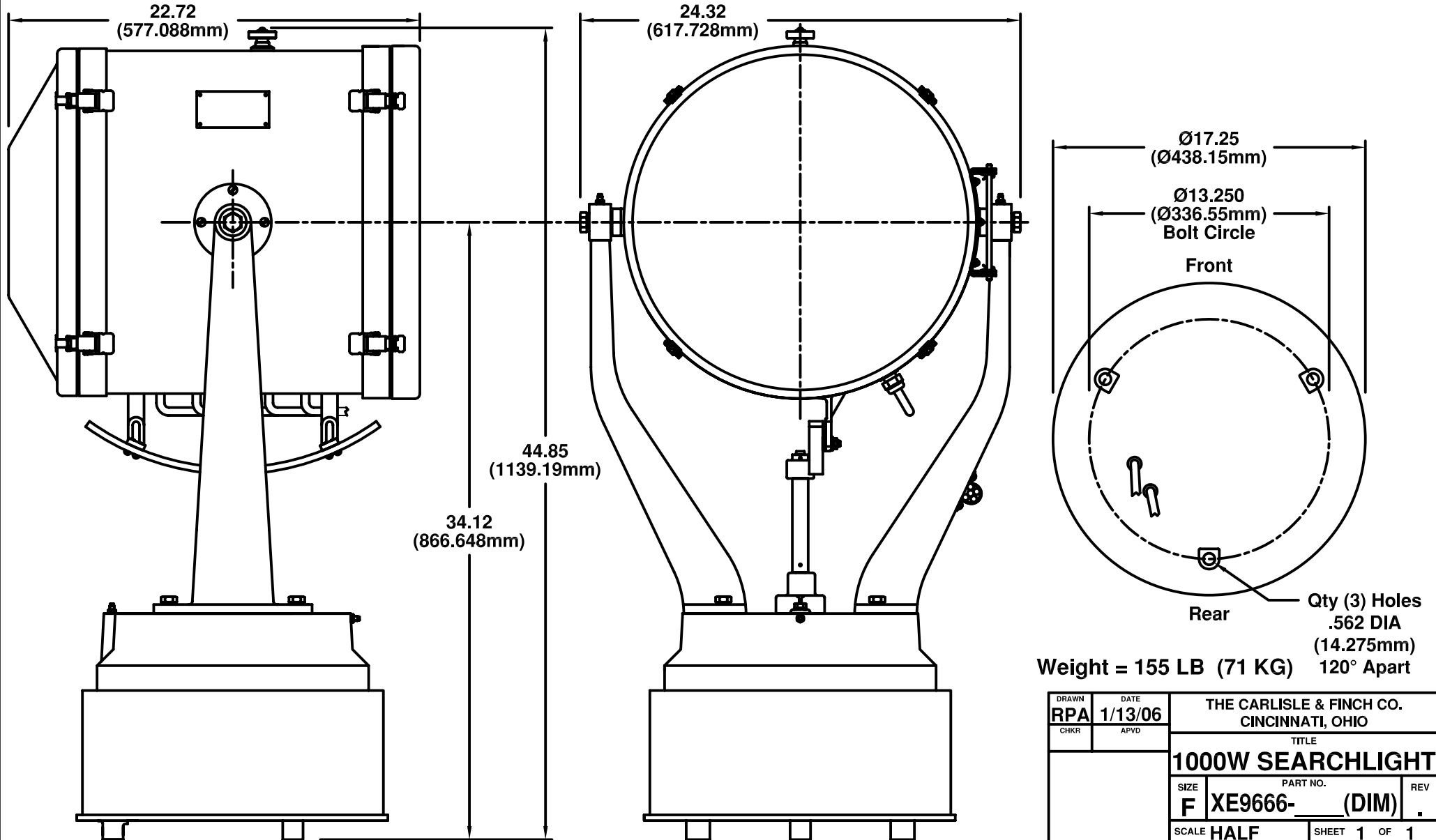




1000 Watt Xenon Searchlights

Models XE9666-RF and XE9666-HRF

Dimensions in Inches (mm)



Weight = 155 LB (71 KG)

DRAWN	DATE	THE CARLISLE & FINCH CO. CINCINNATI, OHIO	
RPA	1/13/06	TITLE	
CHKR	APVD	1000W SEARCHLIGHT	
SIZE	PART NO.	REV	
F	XE9666- (DIM)	.	.
SCALE HALF		SHEET 1 OF 1	