

Marine and Security Searchlight

Compact Solid-State Design... 25 Million Candlepower!

Features

- **25 Million Candlepower (at only 350 Watts!)**... Beam projects 5002 meters on a clear night!
- **Beam-Size Focus Knob**... external manual Beam-size Focus Knob, adjusts Beam-size quickly and easily with no tools required (Electric Beam-Size Focus optional).
- **Aiming**... Beam can be locked in the vertical and horizontal positions with no tools. Local Control aiming handle is mounted on the head.
- **“Bullet-Resistant” Precision-Optic Reflector** ... virtually Indestructible Nickel material lasts the life of product, and helps to resist shattering if impacted by bullets. Precision-optic reflector focuses the beam from approx 1 to 20 degrees, throughout a continuous spectrum.
- **Solid State Electronics**... Light-Weight, Compact Printed Circuit Board provides quick and easy swap-out for trouble-shooting. No product expertise required for trouble shooting! Packaged in NEMA4X enclosure (Optional).
- **Infrared Filter (Optional)**... provides Covert Surveillance when used with Night vision goggles and other Night Vision Devices.
- **High Powered Strobe (Optional)**... provides dizzying effect as powerful beam “temporarily” blinds intruder!



Manually Aimed Xenon Searchlight with Small, Electronic Ballast!

Specifications

Electric Focus: continuous, approx 1 to 20°
Temperature: -25 °C to +45 °C
Power: 115VAC or 230 VAC 50/60 HZ
Vertical Aiming: +45 Deg to -45 Deg (Total 90 Deg)
Horizontal Aiming: +/- 190 (total of 385 Deg)
Lamp: Xenon Short Arc
Beam Intensity: 25 Million Candela
Distance at 1 Lux Intensity: 5000 Meters
Environmental Protection: IP56 (Marine and Salt)
Reflector: Precision-Parabolic, Nickel, Bullet-Resistant



350 Watt Searchlights selected for latest generation US Coast Guard and Navy Patrol Boats!



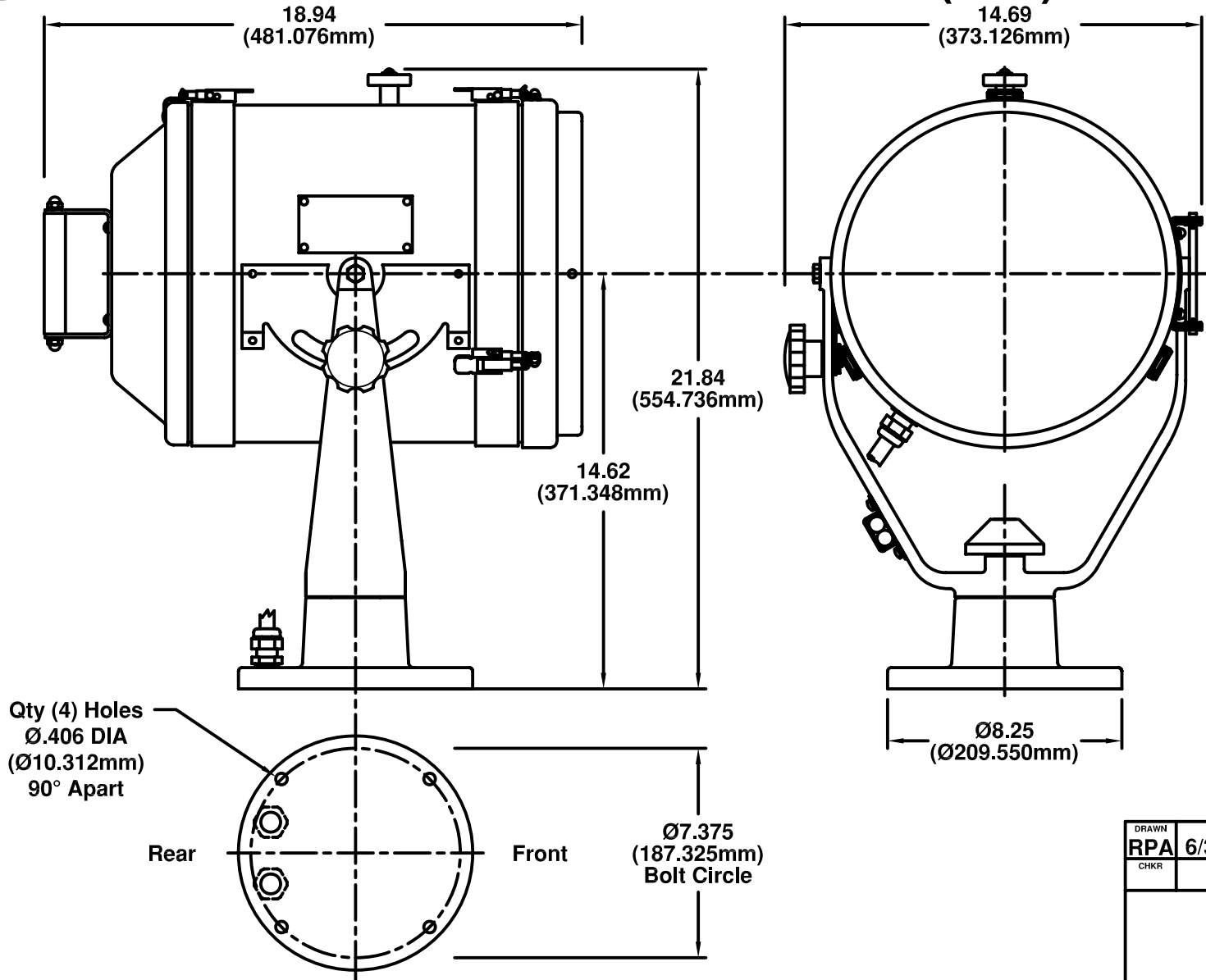
“Helping Mariners see at night for over 122 Years”



350 Watt Xenon Searchlights

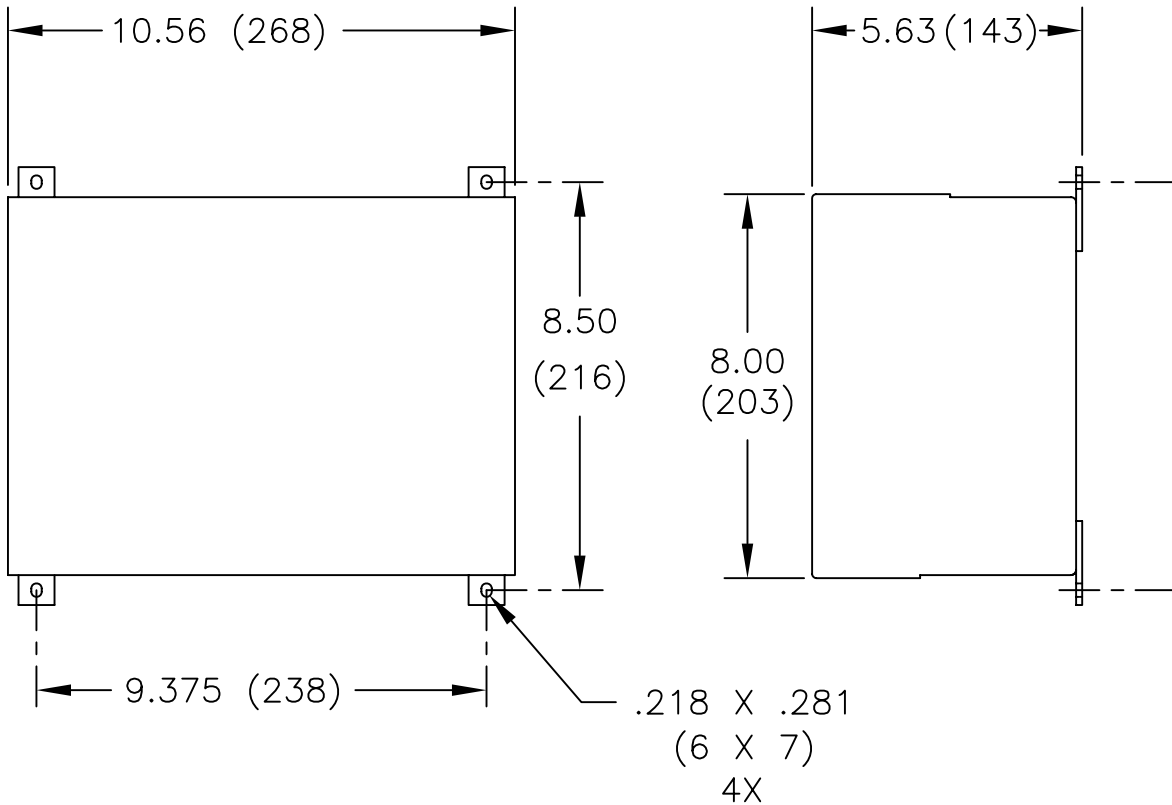
Models XY3EL-A3 and XY3EL-ARF3

Dimensions in Inches (mm)



DRAWN		DATE		THE CARLISLE & FINCH CO. CINCINNATI, OHIO	
RPA		6/30/09			
CHKR		APVD		TITLE	
				350W SEARCHLIGHT	
SIZE	PART NO.			REV	
F	XY3EL-A__3(DIM)			.	
SCALE NONE				SHEET 1 OF 1	

NEXT ASSY	USED ON	SYM	REVISION	DATE	APVD
	350W BULL XE143				



POWER SUPPLY, 350W

MODEL NO. INPUT VOLTS

3PS115 115VAC

3PS230 230VAC

WEIGHT

7.25 LBS. 3.29 KG.

10.85 LBS. 4.92 KG.

DIMENSIONS INCHES (mm)

DRAWN	DATE
RPA	10/31/95
CHKR	APVD

THE CARLISLE & FINCH CO.
CINCINNATI, OHIO

TITLE

POWER SUPPLY

SIZE

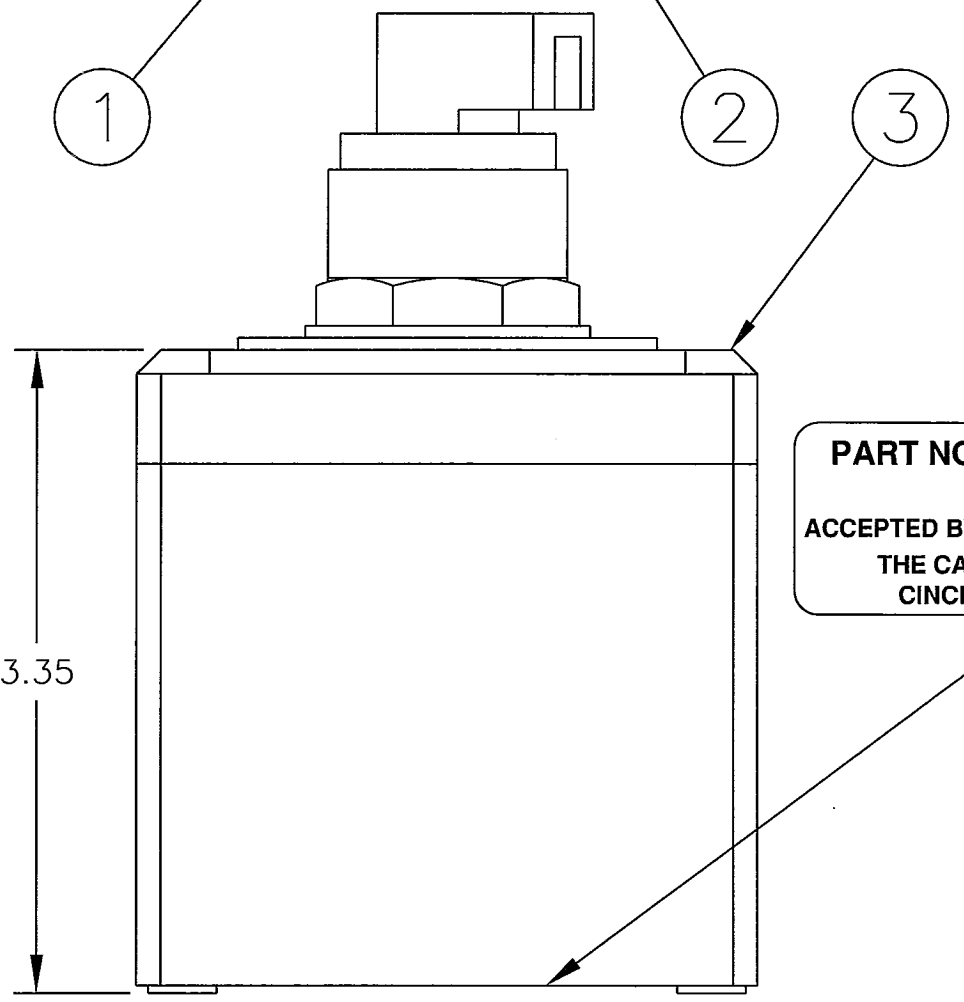
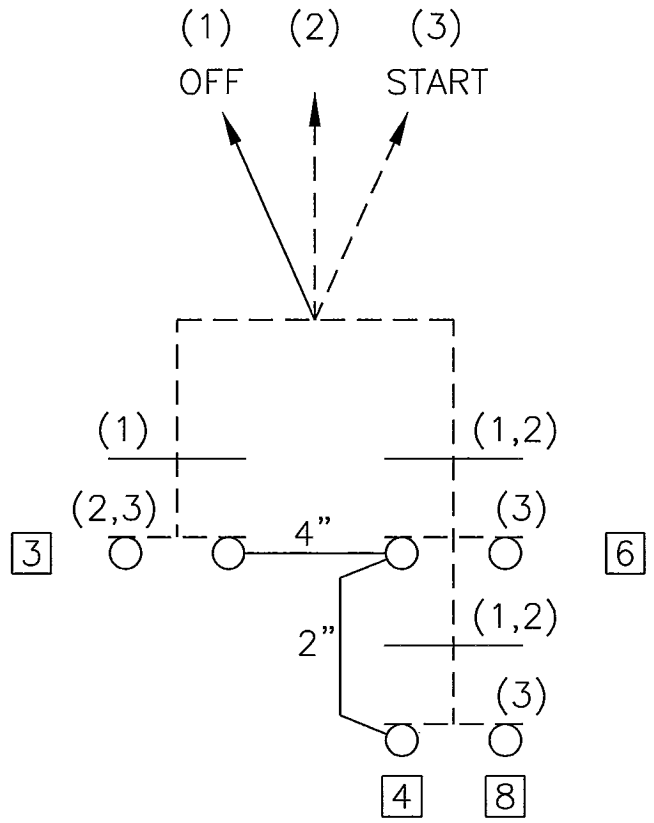
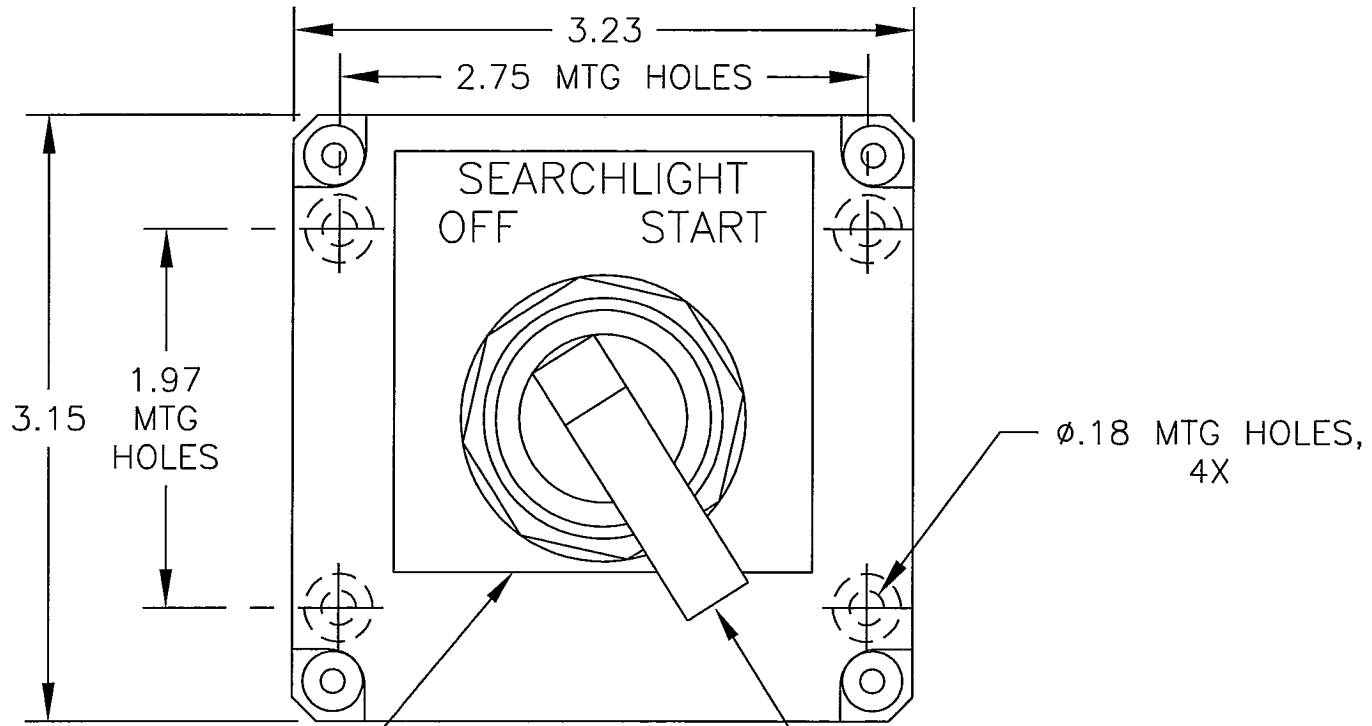
DRAWING NO.

A

11849DIM

SCALE QUARTER

NEXT ASSY	USED ON	SYM	REVISION	DATE	APVD
	350W XE SLS				



PART NO. C1E1

ACCEPTED BY: _____ DATE: _____

THE CARLISLE & FINCH CO.
CINCINNATI, OHIO 45232

5	AR	LABELS	LABELS 3,4,6,8, ACCEPTED BY (NOT SHOWN)
4	6"	6728	WIRE FOR JUMPERS (NOT SHOWN)
3	1	E-1PBPC7	ENCLOSURE
2	1	10395	SELECTOR SWITCH 3 POS
1	1	7578	LEGEND PLATE

PC NO.	QTY	NUMBER	DESCRIPTION	NOTE
MATERIAL		DRAWN RPA	DATE 9/29/95	THE CARLISLE & FINCH CO. CINCINNATI, OHIO
		CHKR	APVD	
TOOLING		TOLERANCES UNLESS SPECIFIED: .XX = ± .03 .XXX = ± .005 ANGLES ± 5° SURFACE FINISH 125 ✓ REMOVE BURRS/SHARP EDGES. DO NOT SCALE DRAWING.		TITLE CONTROL STATION
		SIZE B	PART NO. C1E1	REV
SCALE FULL				