

Sleek-Style 200 Watt Xenon Searchlight

15 Million Candlepower and Electric Beam-size Focus!



Sleek and Powerful!



“NightFINDER™ Option with Thermal Camera pictured above!

Features

- **Beam Intensity:** 15 Million Beam Candlepower illuminates a distance of 3873 Meters on a clear night!
- **Electric Beam-Size Focus:** Beam can be widened and narrowed electrically, throughout a continuous spectrum.
- **Proportional-Speed Joystick:** Speed and Direction are controlled by Joystick... i.e. “Move Joystick to the first position and Beam moves slowly... move Joystick further and it speeds up!”.
- **Bullet-Resistant Reflector...** Virtually indestructible Nickel Material helps prevent breakage if fixture is struck by bullets or rocks.
- **Unrestricted 360° Motion:** Slip-Rings provide Continuous, 360° Horizontal Motion with No Stop Points.
- **Anti-icing Heater: (optional):** Thermostatically-controlled heaters are located in Base.
- **Azimuth Position Indicator (optional):** Position Indicator Panel displays the Horizontal Position in Degrees.
- **Thermal Camera (optional):** “NightFINDER™ Feature” adds Thermal Camera to the Pan/Tilt Base, providing additional Night Vision Capability and Beam/Camera Tracking on target.
- **SmartVIEW™ Control (optional):** Micro-processor controls provide switching throughout a BUS Network, with multiple protocols: TCP/IP, RS232, RS422 and RS485.
- **High Powered Strobe (optional):** Powerful Nonlethal Deterrent disorients intruder and denies Night Vision.
- **Detachable IR Filter (optional):** provides covert surveillance when used with Lowlight Cameras and NVG’s.
- **Customer Colors (optional):** Salt-Resistant, Scratch-resistant Powder Coat Finish (White is the standard color).

Searchlight Specifications

Electric Beam-Size Focus: 1 to 20° (throughout continuous spectrum)
Temperature Range: -25 °C to +48 °C (approx.)
Environmental Protection: IP56
Power Consumption: 115VAC/5 Amps or 230VAC/2.5 Amps; 50/60HZ
Vertical Span: +30° to -30° (Total 60° approx.)
Horizontal Span: Continuous 360° rotation with no stop points
Beam-Speed (approx): 18° per sec (Fast/Horiz.); 3° per sec (Slow/Horiz.)
Lamp: 200 Watt, Xenon Short Arc, 6500 °Kelvin
Beam Intensity: 15 Million Candela
Distance Serviced measuring 1 LUX: 3873 Meters on a clear night.
Reflector: Precision Electroformed, Nickel Material, Bullet-Resistant
Materials: Marine Grade Aluminum and Stainless Steel
Finish: Salt-Resistant. Scratch-Resistant Powder Coat



“Leaders in Searchlight Technology for over 122 years”

“Proportional-Speed” Joystick provides Single-Hand operation!

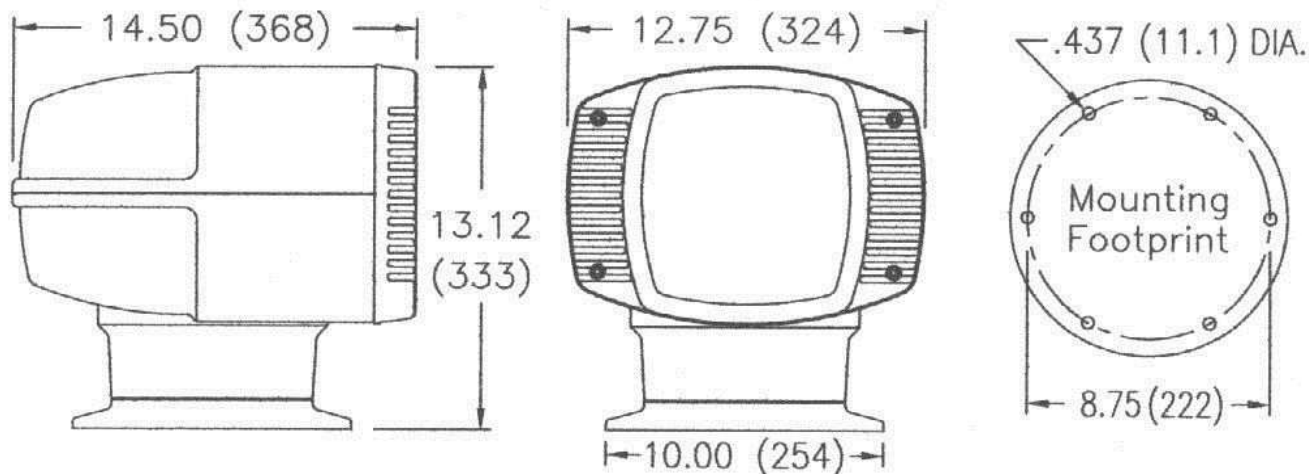


The Carlisle & Finch Company offers a “Proportional-Speed Joystick”, which controls the Beam-Speed and Beam-Direction by moving the Joystick with a single hand... i.e. “move the Joystick to the first position, and the Beam moves slowly... move it further and the Beam speeds up!”. Since the need for an additional Speed-Dial or Fast/Slow Switch has now been eliminated (which requires the user to use two hands of operation), the operator can now use his/her free hand to steer the vessel, hold binoculars, or hold a fire arm. Additional Control Functions are: Beam-ON, Beam-OFF, Electric Beam-size Focus, Proportional-Speed Joystick (described above), and Beam-On Indicator light (offered on Indoor Stations-only).



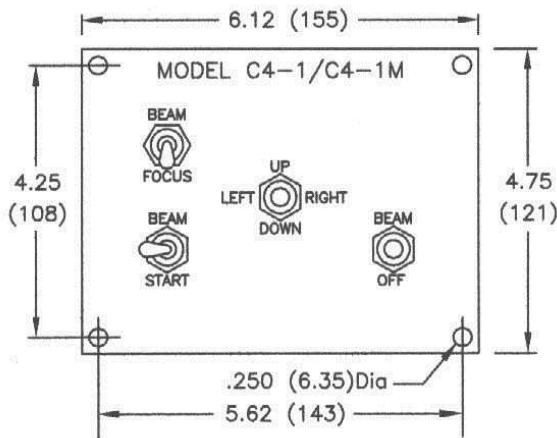
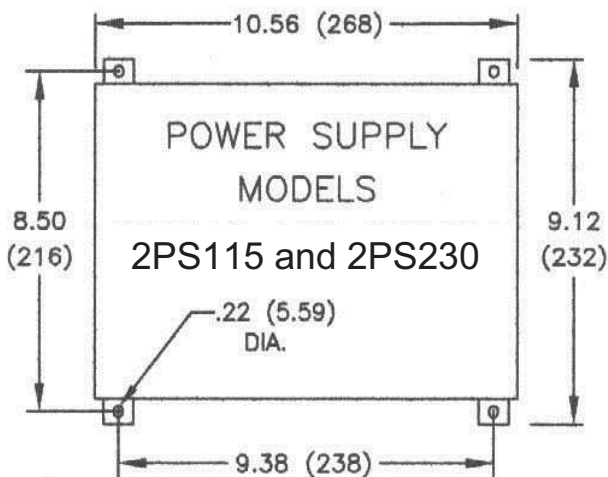
“Leaders in Searchlight Technology for over 122 Years”

200 Watt Dimensions in inches (mm)



Power Supply: Compact Current-Regulated Electronic Supply includes Universal Power Input Feature, providing 115 Volt AC and 230 Volt AC inputs on the same printed circuit board.

Joystick Control Stations: Control functions are: Beam ON/OFF, Beam-size Focus, Proportional-Speed Joystick, and Beam-ON Indicator Light. One Master Station (C4-2-1) is required with each system, and any number of Slave Stations can be added. Indoor Slave Stations are Model C4-2M-1 and Outdoor Slave Stations are Model C4E2M-1-2. If you desire an outdoor Slave Station, not recess-mounted within console, but enclosed in a Weatherproof Box, specify C4E2M (consult Factory for Dimensions).



Power Supply Depth = 5.63 in(143mm)

C4-2-1 Master Station..... Depth = 6.5in (166mm)
 C4-2M-1 and C4E2M-1-2 Slave.... Depth = 3.5in (89mm)

How to Specify a System... start at the left and read across table. Select Searchlight Model Number XY2EDE-RF, 115 Volt or 230 Volt Power Supply and one C4-2-1 Master Station. Any quantity of slave stations can be added. For inside mounting select Slave Station C4-2M-1, and for Slave Stations mounted outside in the weather, select C4E2M-1-2. These stations are recess-mounted within the Console surface. For an Outdoor Slave Station, completely enclosed within a Weatherproof Box (not recessed within a console), select C4E2M and consult Factory for Dimensions. For Anti-icing Heaters, Azimuth Position Indicator and Base-UP Mounting, Consult Factory.

Searchlight (Powder Coated)	Power Supply 115VAC or 230VAC	Master Station (Inside)	Slave Station (Inside)	Slave Station (Outdoor)
XY2EDE-RF	2PS115 or 2PS230	C4-2-1	C4-2M-1	C4E2M-1-2

Sample Specification: A 200 Watt Searchlight with Powder Coat Finish, 230 VAC Power Input and two recess-mounted Joystick Control Stations within the console (one inside and one outside in the weather)...Select Searchlight Number XY2EDE-RF, Power Supply Number 2PS230, Master Station Number C4-2-1 and Slave Station Number C4E2M-1-2.



“Leaders in Searchlight Technology for over 122 Years”