

New "LED Hybrid" Marine Searchlight!

Auxiliary LED Lighting added to C&F Searchlights provides strategic wide-beam Illumination for Search and Rescue, Docking, Barge-Handling, Seeing Workers at Night, and Eliminating Blind Spots around Vessel!



1.0KW Xenon "HYBRID" above

LED Features

- Eliminates Blind Spots: LED Beam illuminates wide areas nearer to Vessel which traditional Halogen and Xenon narrower beams have difficulty servicing.
- Dual LED Module Design: Two LED Light Modules powered by separate electronics, provides emergency backup, if one fails.
- Low LED Power Consumption: Only 43 Watts per module (86 Watts Total!)
- Long LED Lamp-Life: 50,000 Hours!
- Field Upgradeable: Add "LED Hybrid Kit" to your existing C&F 19-inch (483mm) Halogen, 500 Watt and 1000 Watt Xenon Searchlights!
- Battery Back-up: Can be run directly off battery power because Voltage Input is 12VDC to 28VDC.
- Environmentally Robust: IP67-Rated
- LED Beam Pattern: See Exhibit A on page two.

What is an LED Hybrid Searchlight? Although LED Technology illuminates shorter distances very effectively, it still cannot compete with the long range distances achieved by Xenon and Larger Halogen Searchlights. However, in order to service those greater distances, these traditional light sources produce narrower beams of light, which have great difficulty servicing areas nearer to the vessel. Therefore, Carlisle & Finch has created the "LED Hybrid" Searchlight. The "LED Hybrid" strategically combines LED Lighting, with traditional light sources such as Xenon and Halogen, to efficiently utilize the strengths of multiple technologies combined into one versatile product!

Imagine being able to instantly direct a "Wall of light", wider than a football field, approximately 230 meters away, anywhere around the vessel! The beam has evenly spread illumination, and a "pure white" color rendering, pleasing to the human eye. And of course, the operator can also use the Xenon or Halogen Beam to reach out long distances instantly on demand. The "LED Hybrid" Searchlight performs all marine lighting applications using the same flexible product!

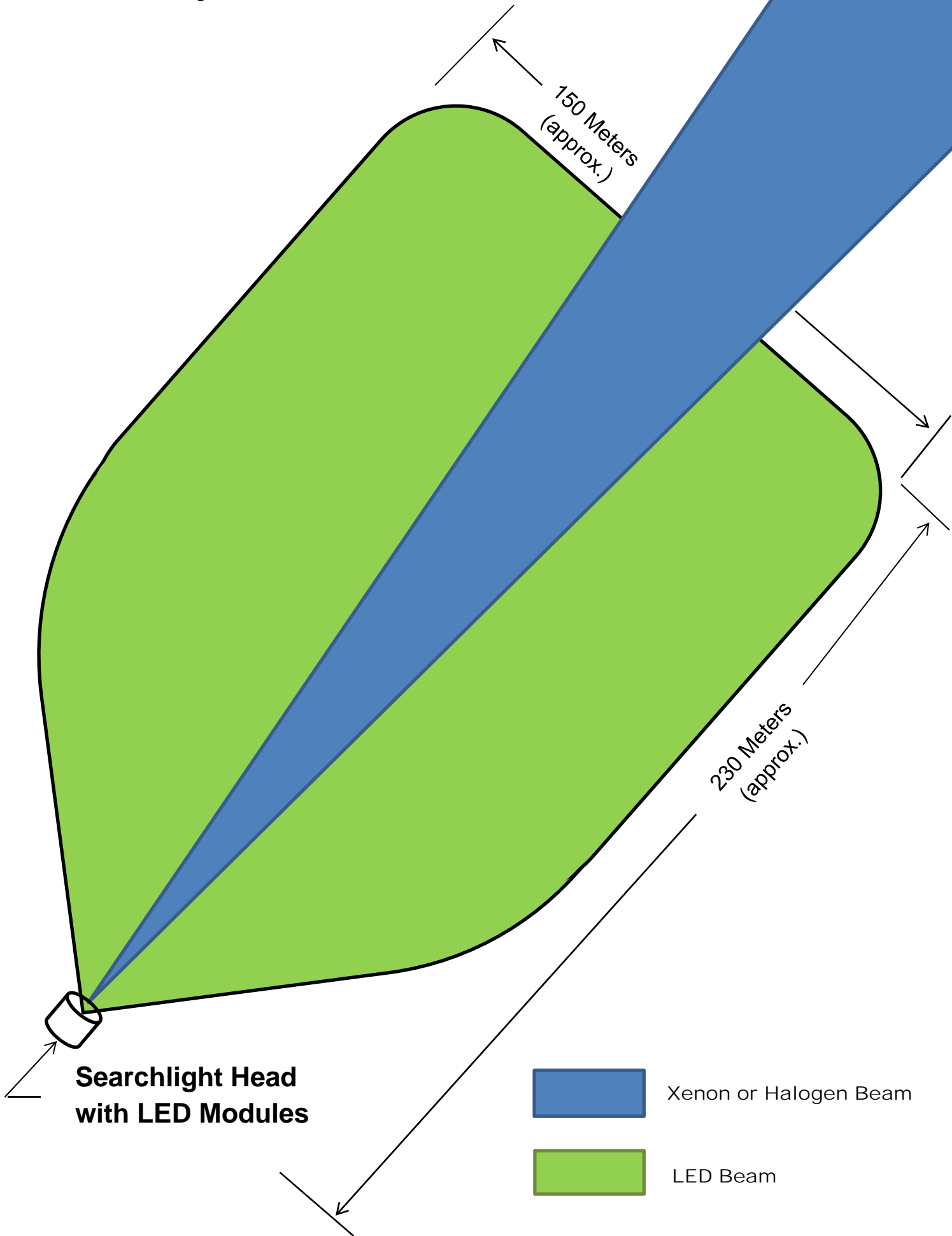


Standard of U.S. Navy, U.S. Coast Guard and Commercial Marine Vessels worldwide!

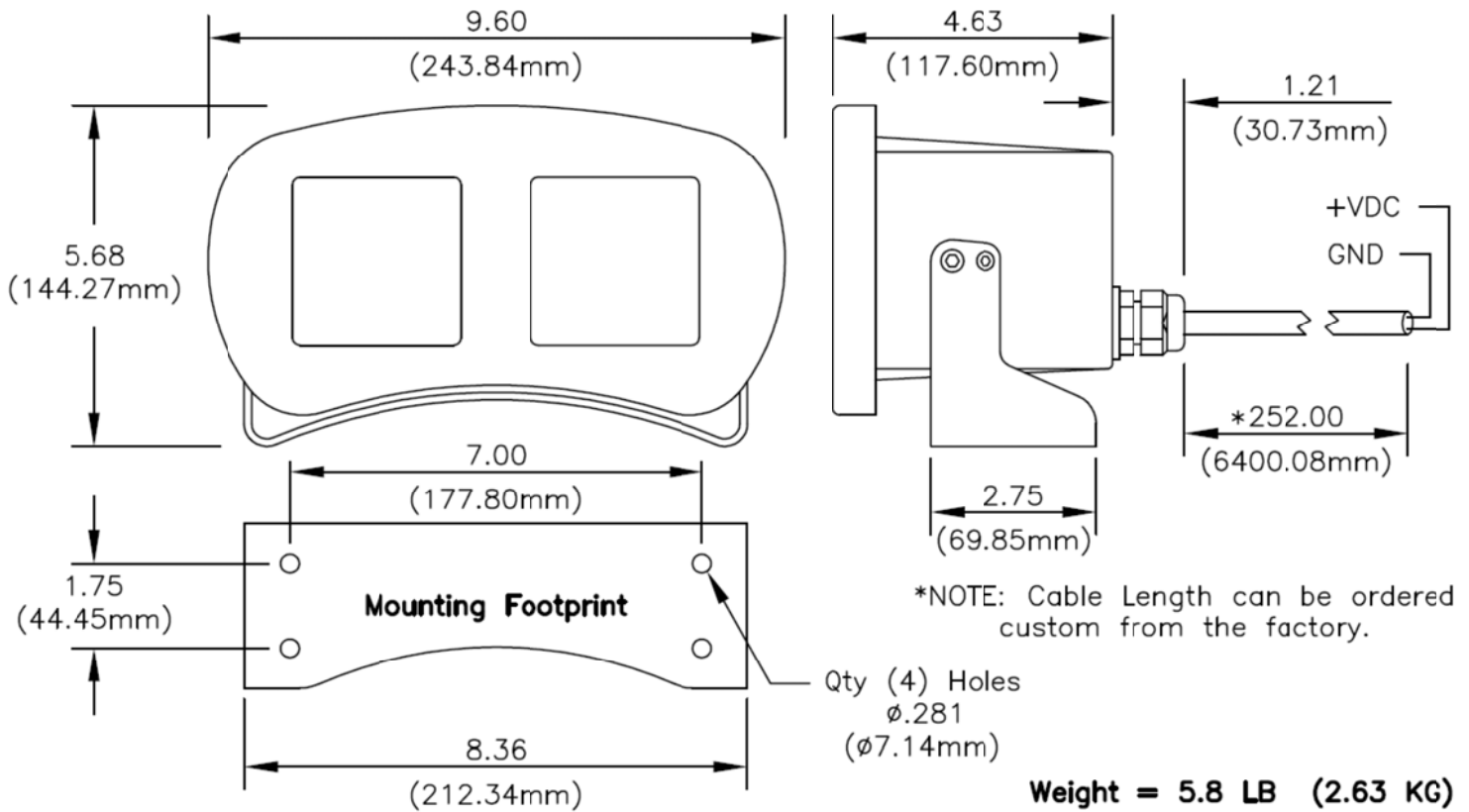


"Leaders in Searchlight Technology for over 120 Years"

Exhibit A: LED "Hybrid" Beam Pattern



Dimensions in Inches (mm)



LED Hybrid Kit Ordering Information

Model Number	Description	Searchlight Used On
K15215X-500	Complete LED Hybrid Kit: Includes LED Fixture, Mounting Bracket, Fasteners, Template, 21 Ft Cable, AND Counter-Balance	500 Watt Xenon
K15215X-1000	Complete LED Hybrid Kit: Includes LED Fixture, Mounting Bracket, Fasteners, Template, 21 Ft Cable, AND Counter-Balance	1.0KW Xenon and
K15215X-19	Complete LED Hybrid Kit: Includes LED Fixture, Mounting Bracket, Fasteners, Template, 21 Ft Cable, AND Counter-Balance	19-in Halogen

Model Number	Description	Searchlight Used On
K15215X	LED Fixture Assembly: Includes LED Fixture, Mounting Bracket, Fasteners, Template and 21 Ft. Cable (No Counter-Balance)	All
K15242-500	Counter-Balance, 500 Watt Xenon	500 Watt Xenon
K15242-1000	Counter-Balance, 1.0KW Xenon	1.0KW Xenon
K15242-19	Counter-Balance, 19-inch Halogen	19-in Halogen

NOTE: Above Model Numbers pertain to the LED Fixture-only. To order a complete Hybrid Searchlight, you must provide the traditional Searchlight Model, as well the complete LED Hybrid Kit Numbers above.



"Helping Mariners see at Night for over 120 Years"