



10-inch / 254mm LED Searchlight

Marine Green Product



Joystick Electric Control

| | |
|--------------------------|---|
| Beam Intensity | 2.8 Million Candela |
| Distance Serviced | 1 lux at 1673 Meters (approx.) |
| Beam Spread | 3.5° |
| Color Temperature | 6200 Kelvin |
| Controls | Joystick Electric Control, Remote Lever-Gear Control, or Local Handle Control |
| Environmental | IP56 |
| Finish | Salt-resistant and Scratch-resistant Powder Coat (White, Black, Grey and Custom) or Chrome Finish |
| LED Emitter Life | Over 20,000 Hours |
| Light Energy | 4900 Lumens |
| Material | Brass and Stainless Steel |
| Power Consumption | 85 Watts |
| Voltages | 12VDC, 24VDC, 115VAC, or 230VAC |

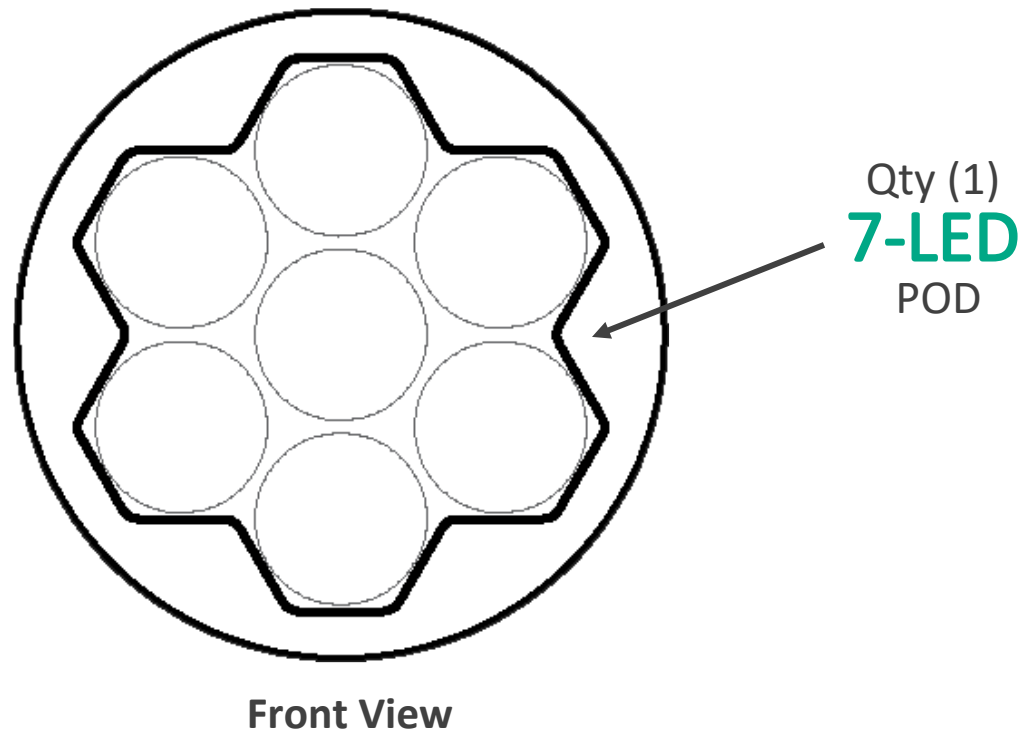


OPTIONS

| | |
|----------------------------|--|
| Anti-icing Heater | Thermostatically-controlled heaters in the Base. (motorized base-only) |
| Azimuth Indicator | LCD Panel displays beam aiming position in degrees. (motorized base-only) |
| High Powered Strobe | Disorients and denies night vision of intruder and transforms searchlight into a Nonlethal Weapon |
| SmartVIEW™ | Control System provides Digital BUS Network, and TCP/IP Interface allows Remote Computer Control. Protocols supported: ONVIF, Pelco-D, NMEA 0183 and Carlisle & Finch's own Protocol |

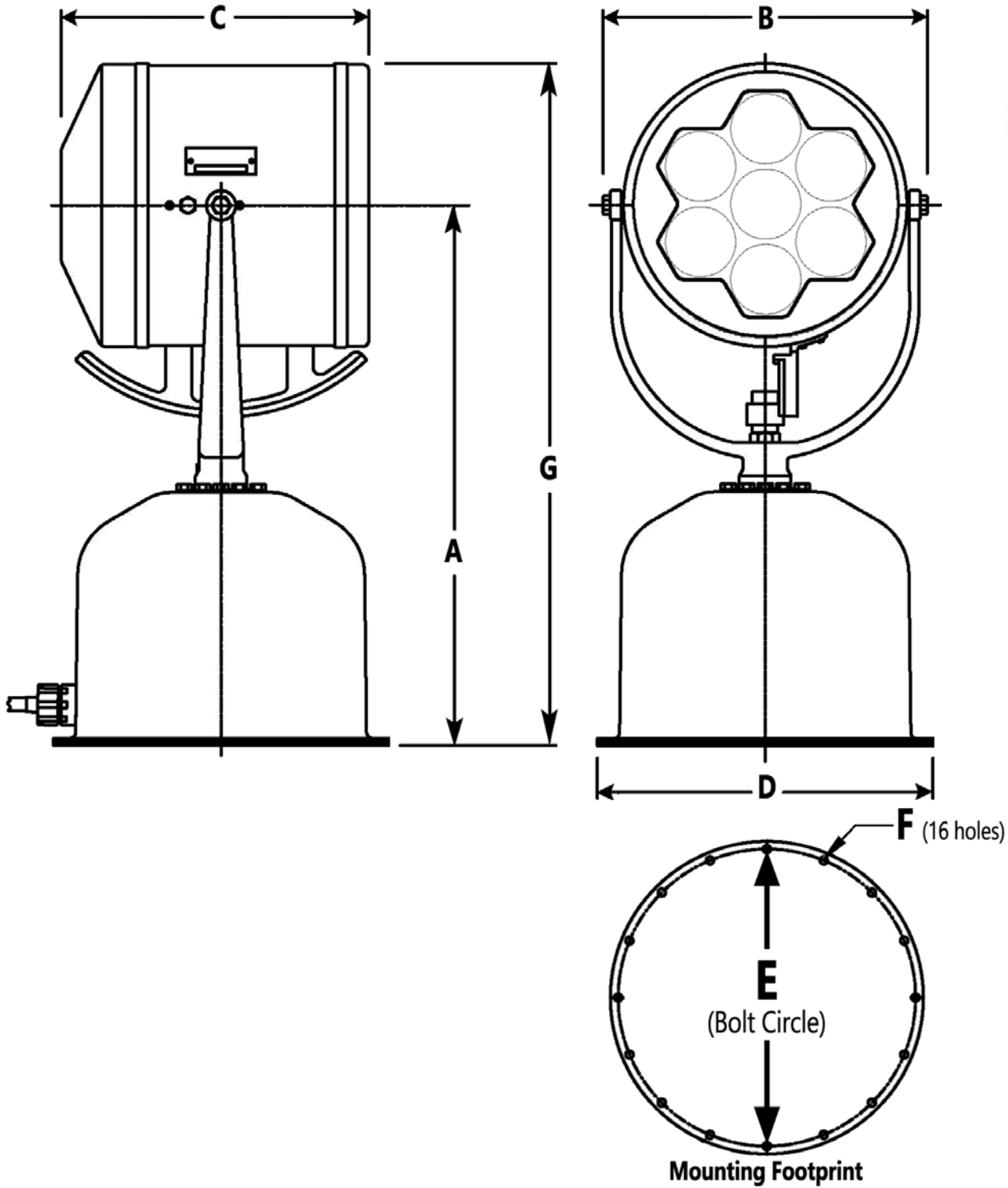
Lighting the way forward since 1894

Redundancy and Extremely Long-life provides much higher reliability than Halogen Searchlights!



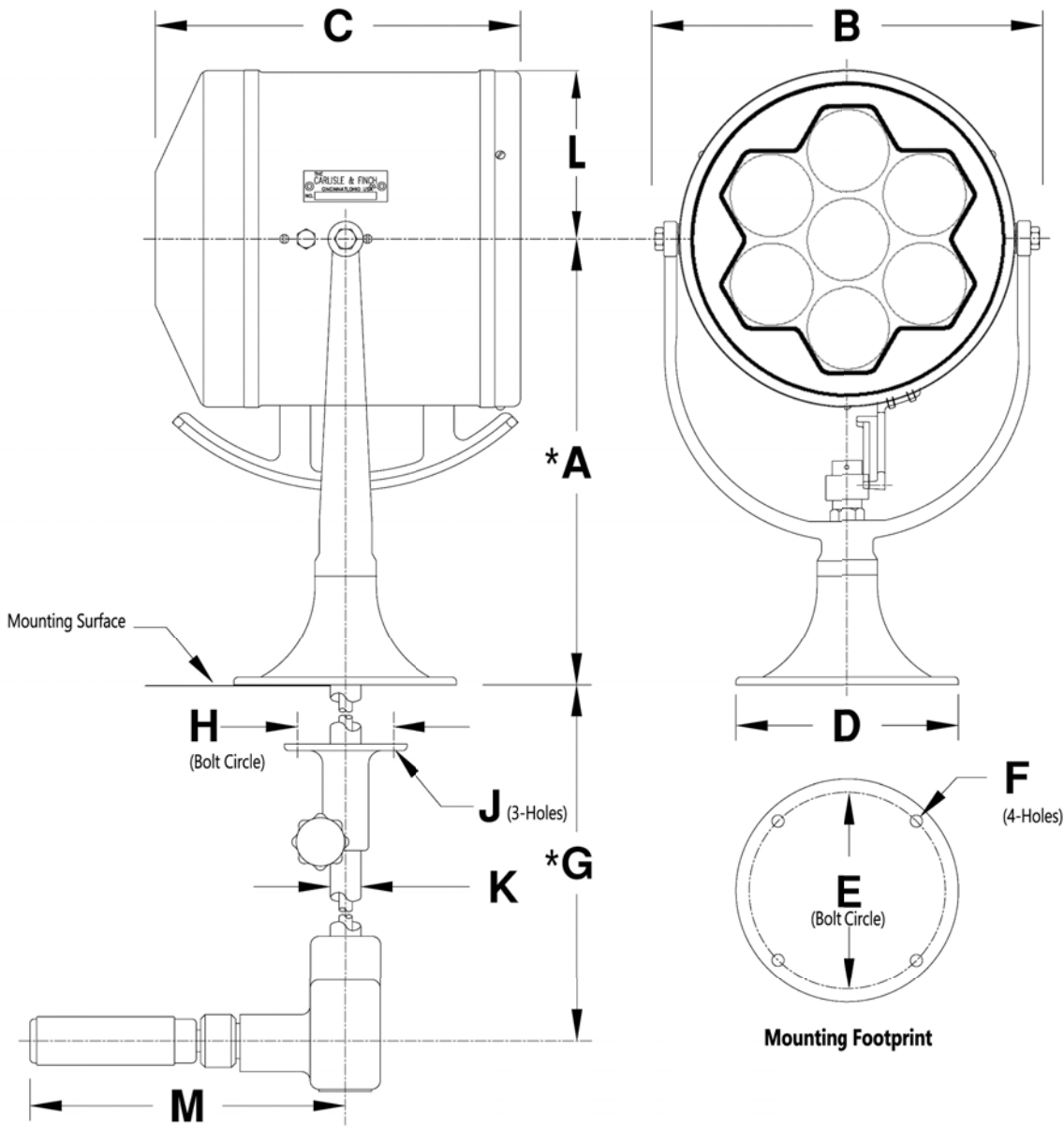
- **Multiple LED Redundancy:** There are 7 Individual LEDs (i.e., light sources.) If one fails, there are 6 more producing a bright beam.
- **Long Emitter-Life:** When the lamp fails on traditional Halogen searchlights, the entire searchlight fails. Lamp-life is approx. 250 hours for the most popular industry standard lamps. Since the LEDs will last 20,000+ hours, there are approximately 80 Halogen searchlight failures for every LED searchlight due to lamp-life alone (i.e., $20,000 \div 250 = 80$ failures.)

Electric Joystick Control Dimensions



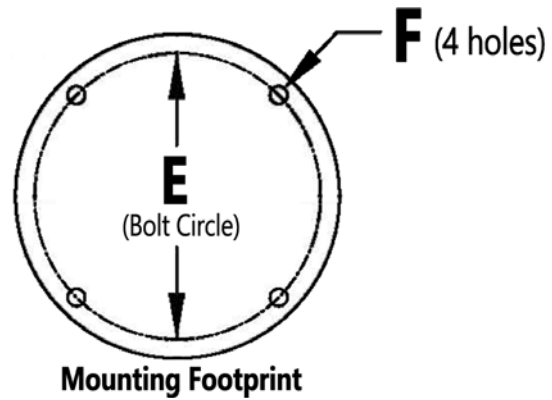
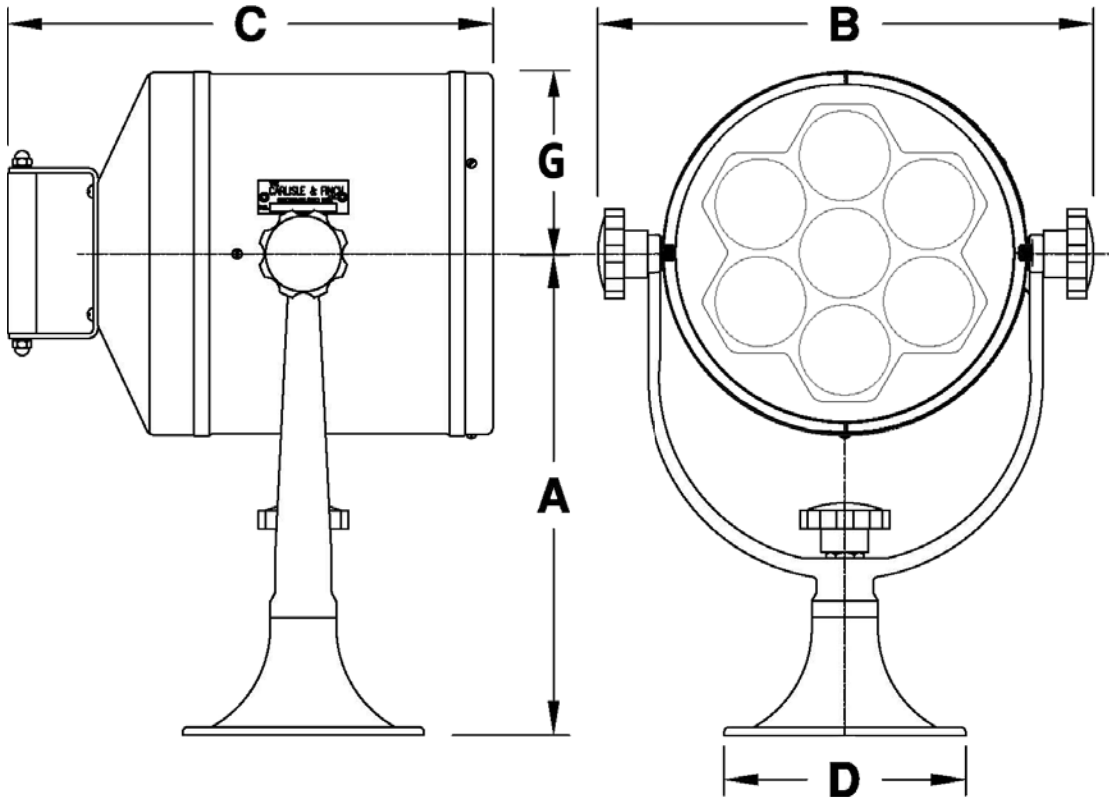
| DIM | A | B | C | D | E | F | G |
|--------|-------|-------|-------|--------|--------|--------|-------|
| inches | 18.19 | 11.00 | 10.44 | ∅11.38 | ∅10.81 | ∅.281 | 23.19 |
| mm | 462 | 279 | 265 | ∅289 | ∅274 | ∅7.137 | 589 |

Remote Lever-Gear Control Dimensions



| DIM | *A | B | C | D | E | F | *G | H | J | K | L | M |
|--------|--|-------|-------|-------|-------|-------|-------|-------|-------|------|------|------|
| inches | 12.75 | 11.00 | 10.00 | Ø6.38 | Ø5.62 | Ø.34 | 11.38 | Ø2.75 | Ø.28 | Ø.88 | 4.81 | 9.00 |
| mm | 324 | 279 | 254 | Ø162 | Ø143 | Ø9.00 | 289 | Ø70 | Ø7.00 | Ø22 | 122 | 229 |
| Note: | Dimension "A" is the standard Searchlight Height, and Dimension "G" is the standard Control Length. These two dimensions can be custom. Consult Factory for exact customer requirements. | | | | | | | | | | | |

Local Handle Control Dimensions



| DIM | A | B | C | D | E | F | G |
|--------|-------|-------|-------|-------|-------|------|------|
| inches | 12.75 | 13.12 | 12.00 | Ø6.38 | Ø5.62 | Ø.34 | 4.81 |
| mm | 324 | 334 | 305 | Ø162 | Ø143 | Ø9 | 122 |

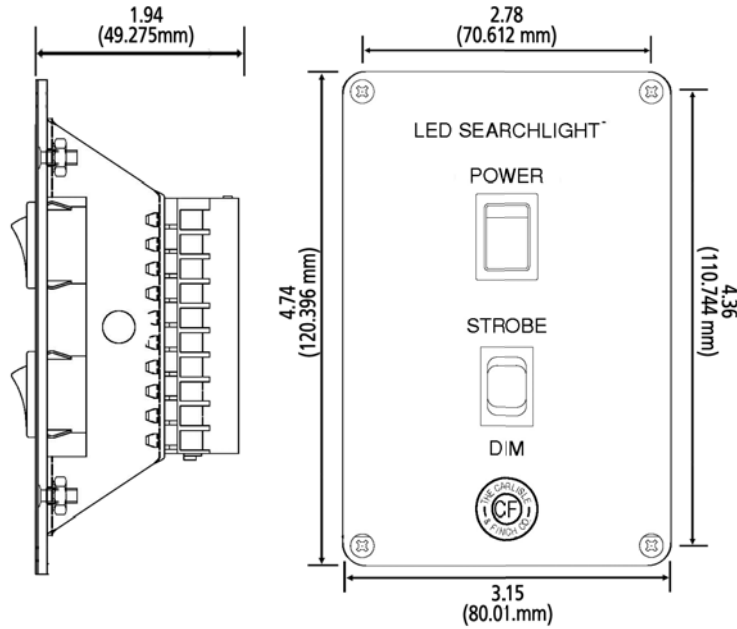
Note: Taller Pedestal Bases are available for manual control searchlights only. Consult Factory for more (custom height) information.



Controller Dimensions

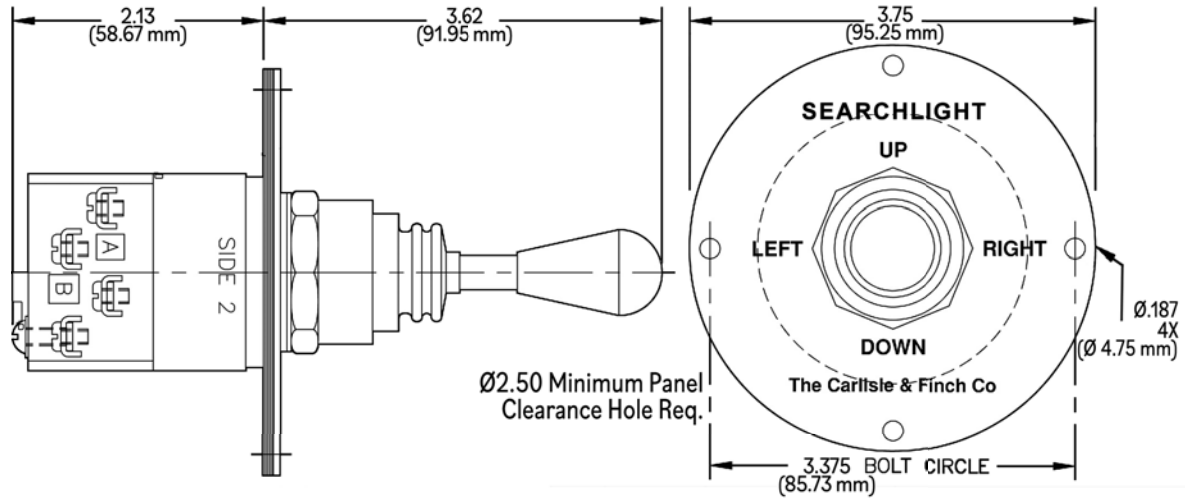
C2-12 Controller

includes Beam ON/OFF, Dim and Strobe Switches



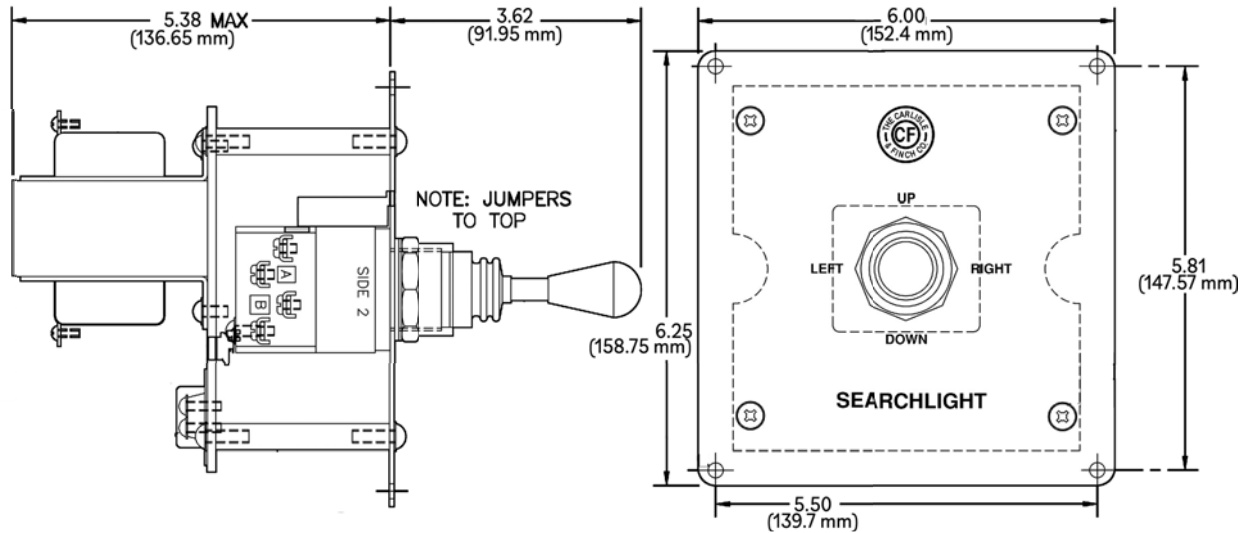
C8160 Joystick Controller

provides UP, DOWN, RIGHT and LEFT Aiming and Dynamic Breaking (115 VAC-only)



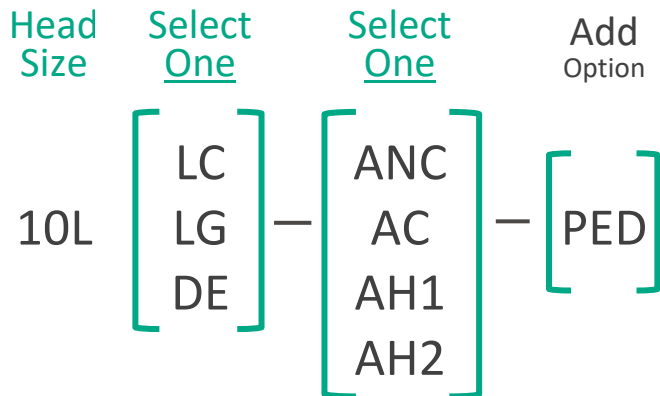
C8160-230 Joystick Controller

provides UP, DOWN, RIGHT and LEFT Aiming and Dynamic Breaking (230VAC-only)



How to specify Searchlight

Model Number



PED Tall Pedestal Base
Option
Consult Factory

- | | | | |
|-----------|---------------------------|------------|-----------------------------------|
| LC | Local Handle Control | ANC | 115/230 VAC (no Strobe/DIM) |
| LG | Remote Lever Gear | AC | 115/230 VAC (with Strobe/DIM) |
| DE | Joystick Electric Control | AH1 | 115 VAC (with Anti-Icing Heaters) |
| | | AH2 | 230 VAC (with Anti-Icing Heaters) |

Note: To specify Searchlight Model Number, go to top of page and insert letters from left to right as applicable.

Example #1

Model Number: 10L-LG-ANC-PED

10-inch (254mm) diameter, Remote Lever-Gear Control, 115 VAC and Tall Pedestal option

Example #2

Model Number: 10L-DE-AH2

10-inch (254mm) diameter, Joystick Electric Control, 230 VAC and Anti-Icing Heaters