



Classic Yacht Xenon Searchlight



Distance Serviced	1 lux at 5002 meters (approx.)
Power Consumption	115VAC/7 Amps <i>or</i> 230 VAC/3.5 Amps; 50/60HZ
Beam Speed	12° per sec (Fast/Horiz); 3° per sec (Slow/Horiz)
Electric Beam-Size Focus	1 to 20° (through continuous spectrum)
Beam Intensity	<u>25</u> Million Candela
Lamp	350 Watt , Xenon Short Arc
Temperature Range	-30°C to +48°C (approx.)
Color Temperature	6000 Kelvin
Vertical Span	+35° to -35° (70° approx. total)
Horizontal Span	385° with sliding stop
Finish	Brass Chrome or White Powder (Custom RAL Colors available)
Controls	Proportional Speed Joystick Control (multiple joystick operation and weatherproof)
Reflector	Bullet-Resistant, Precision Electroformed, Nickel Material
Environmental Protection	IP56

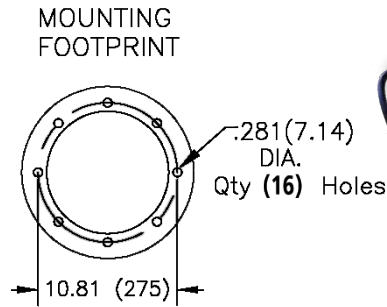
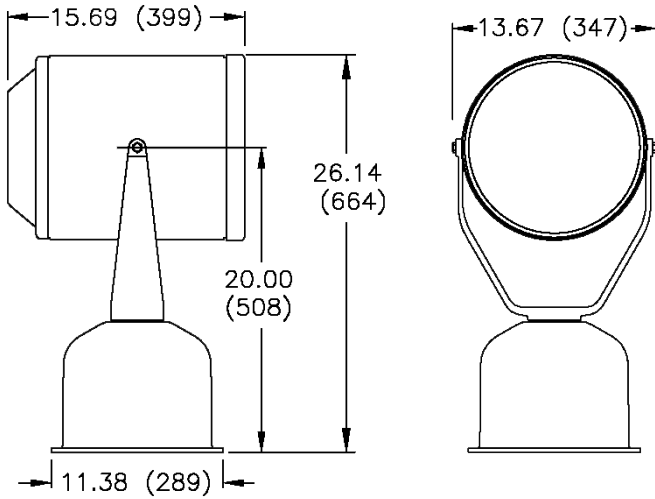
OPTIONS

Anti-icing Heater	Thermostatically-controlled heaters in the Base.
Azimuth Indicator	Panel displays beam aiming position in degrees.
High Powered Strobe	Powerful nonlethal deterrent disorients intruder and denies night vision.
LED Hybrid	Auxiliary LED Light Modules project a "Wall of Light," 150 Meters Wide and 200 Meters away, for strategic short range and wide area lighting.
NightFINDER™	Embedded thermal camera enhances night vision capability, and the searchlight beam and camera track on the same target. Reference last two pages.
SmartVIEW™	Micro-processor controls provide intelligent switching throughout a BUS Network, with multiple protocols: TCP/IP, RS232, RS422, RS485, NMEA 0183, and ONVIF.
Detachable IR Filter:	Provides covert surveillance when used with lowlight cameras and NVG's.



Lighting the way forward since 1894

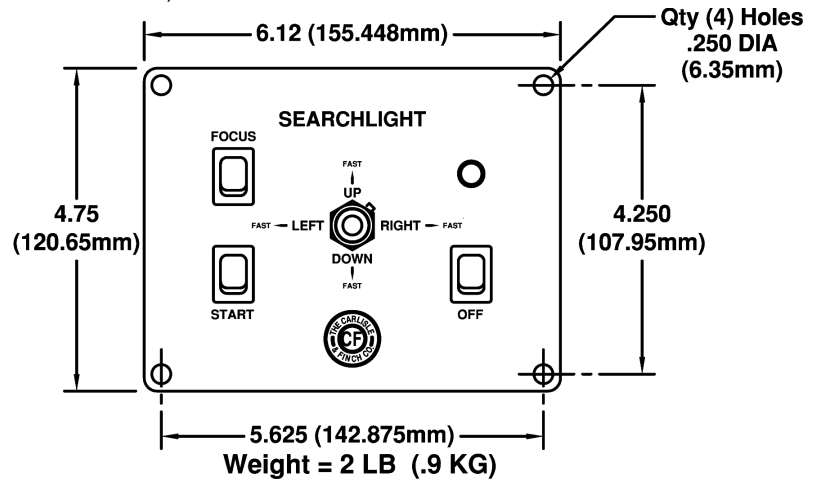
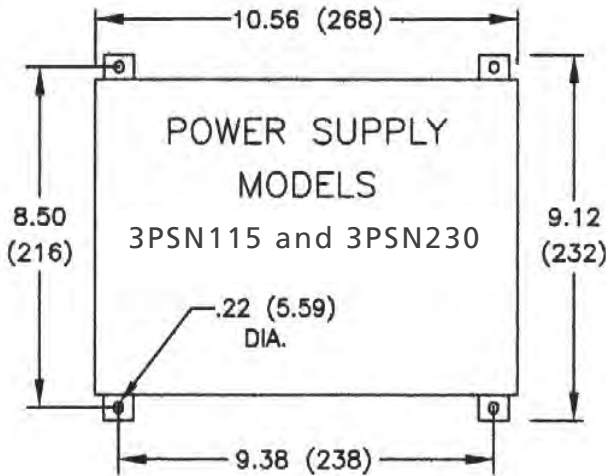
350 Watt Dimensions in inches (mm)



Optional Inverted Mounting Available
NOTE
 Must be specified when ordered

Power Supply: Compact Electronic Current-Regulated Supply. Regulated Current increases lamp-life by keeping lamp current constant despite voltage input changes. Solid State Electronics includes Universal Power Input Feature, providing 115 Volts AC and 230 Volts AC inputs on the same printed circuit board. Current dimming switch adjusts amperage throughout a continuous spectrum.

Joystick Control Stations: Remote control functions include Lamp ON/OFF, Electric Beam-size Focus, and Advanced Joystick which controls Speed and Direction simultaneously with one hand... "move the joystick to the first position and it will move slowly, move it further and it will go faster." One Master Station (C4-1-1) is required with each system, and any number of Secondary Stations, indoor (C4-1M-1) and/or outdoor (C4E1M-1-2), can be added. If you desire an outdoor Secondary Station, not flush-mounted, but in a Weatherproof Box, specify C4E1M (consult Factory for Dimensional Data).



Power Supply 3PSN115 or 3PSN230
 Power Supply Weight = 7.5lb (3.4kg)

C4-1-1 Master Station.....Depth = 6.5in (166mm)
 C4-1M-1 and C4E1M-1-2 Secondary.....Depth = 3.5in (89mm)

Searchlight Chrome or Powder Coat	Power Supply 115VAC or 230VAC	Master Station (Indoor)	Secondary Station (Indoor)	Secondary Station (Outdoor)
XY3CDE-24BRF3 or XY3EDE-24ARF3	3PSN115 or 3PSN230	C4-1-1	C4-1M-1	C4E1M-1-2

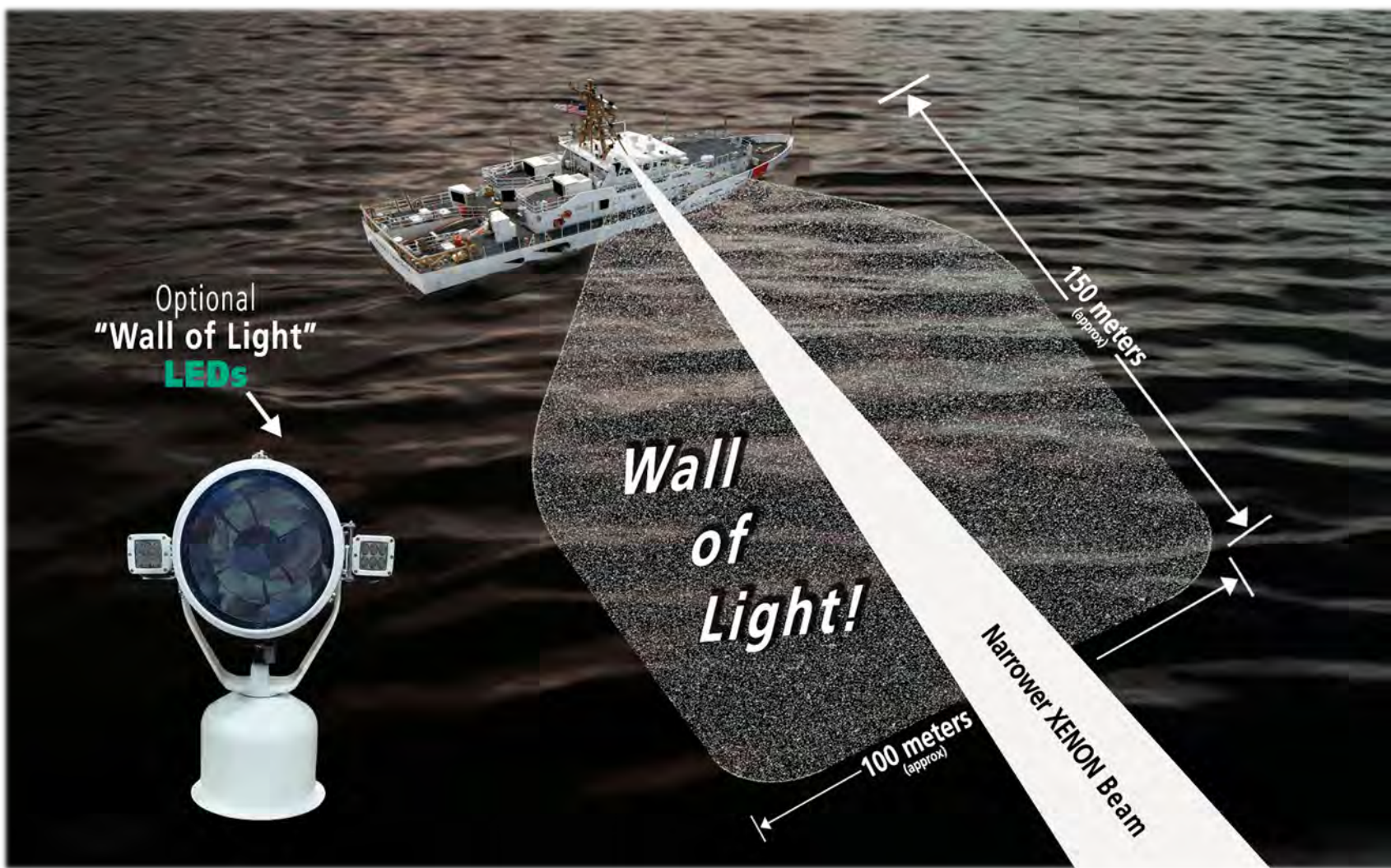
How to specify searchlight system... read across table and select one searchlight, one power supply, one Master Joystick Controller and any number of optional Secondary Joystick Controllers.

Sample Specification

A 350 Watt Searchlight with Powder Coat Finish, 230 VAC Power Input and two flush-mounted Joystick Control Stations (one inside and one outside in the weather) the model numbers are as follows:

- (1) **XY3EDE-24ARF3** Searchlight, (1) **3PSN230** Power Supply, (1) **C4-1-1** Master Station and (1) **C4E1M-1-2** Secondary Station

Note: Consult Factory for model numbers of optional Strobe, NightFINDER™, Anti-icing Heaters, Azimuth Indicator, SmartVIEW, etc. features.



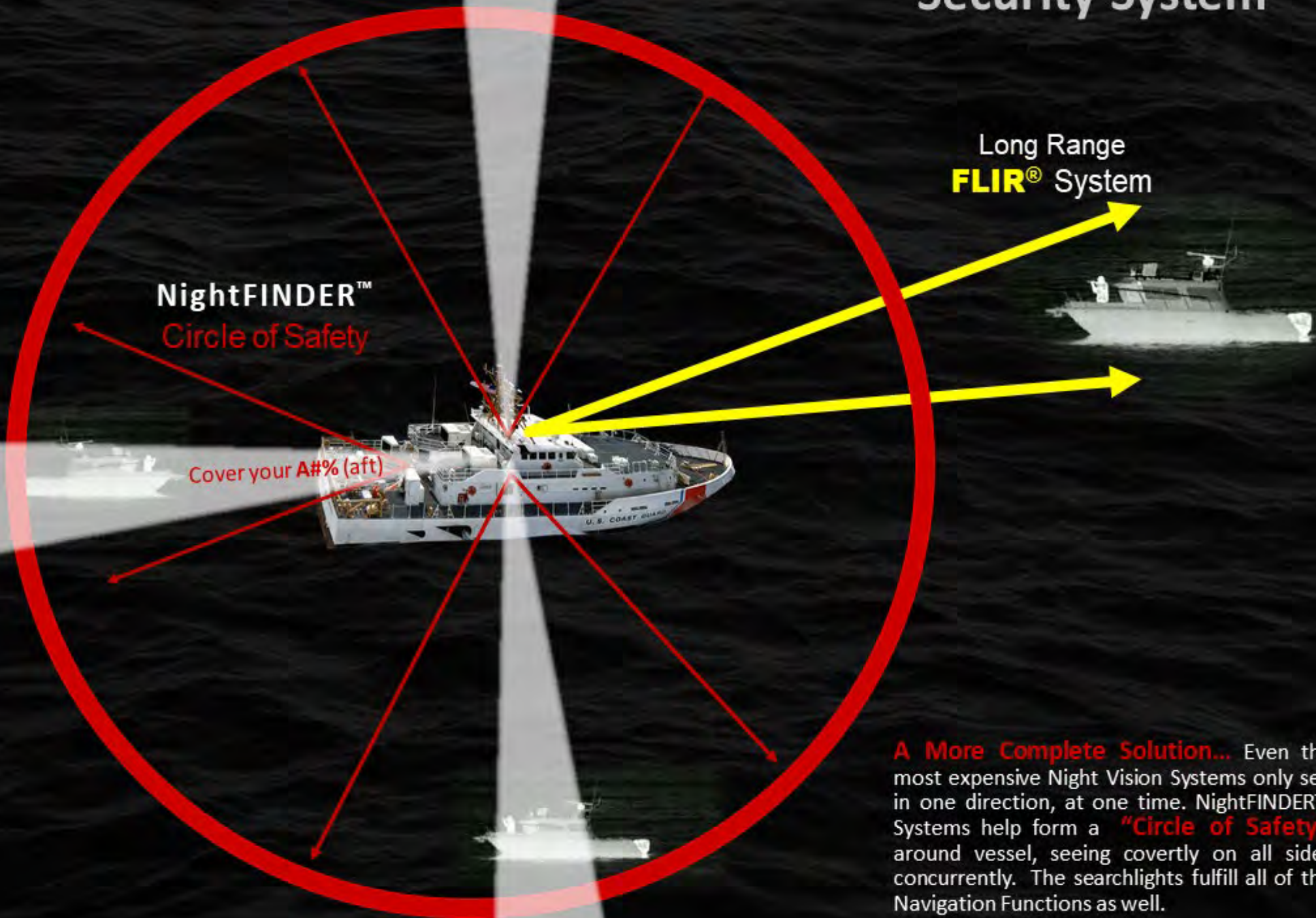
“Auxiliary LEDs illuminate wide areas at close range, where the narrower Xenon beam cannot strategically service”

Imagine a passenger suddenly falls overboard a marine vessel. Using the auxiliary LEDs for *Search and Rescue*, an operator instantly directs a powerful “*Wall of Light*,” wider than a football field, anywhere around the vessel to rescue the passenger.

The “*Wall of Light*” is extremely effective for *Vessel Interdiction*, *Docking*, *Seeing Workers at Night*, etc. Multiple light technologies combined into one versatile product, provide strategic **LED** wide-beam illumination and powerful **XENON**, long-distance search capability.

NightFINDER™

A Total Navigation & Security System



A More Complete Solution... Even the most expensive Night Vision Systems only see in one direction, at one time. NightFINDER™ Systems help form a "Circle of Safety" around vessel, seeing covertly on all sides concurrently. The searchlights fulfill all of the Navigation Functions as well.

NightFINDER™ ... a "Covert Targeting Device"

Strobe blinds and disorients Intruder with Nonlethal Force!



Powerful Nonlethal Weapon

STROBE

Thermal Camera



Camera is used as *Covert Targeting Device*

"Operator covertly scans horizon with camera, and after intruder is spotted, searchlight instantly illuminates the target."