



10-inch / 254mm LED Searchlight

Eco-Friendly Product

Beam Intensity

3.5° Beam Option 2,800,000 Candela
1 Lux at 1673 Meters (approx.)

8.5° Beam Option 741,000 Candela
1 Lux at 860 Meters (approx.)

Color Temperature

6200K

Controls

Joystick Electric Control, Remote Lever-Gear Control, or Local Handle Control

Environmental

IP56

Finish

Salt-resistant and Scratch-resistant Powder Coat (White, Black, Grey, and Custom), Polished Brass, or Chrome Finish

LED Emitter Life

Over 35,000+ Hours (*tested*)

Light Energy

4900 Lumens

Material

Brass and Stainless Steel

Power Consumption

85 Watts

Voltages

12VDC, 24VDC, 115VAC, or 230VAC

OPTIONS

Anti-icing Heater

Thermostatically-controlled heaters in the Base. (motorized base-only)

Azimuth Indicator

LCD Panel displays horizontal aiming position (motorized base-only)

High Powered Strobe

Denies night vision and disorients intruder while transforming searchlight into a Nonlethal Weapon

Morse Code

Signaling capability for Military/Government

SmartVIEW™

Control System provides Digital BUS Network, and TCP/IP Interface allows Remote Computer Control. Supported Protocols: ONVIF, Pelco-D, NMEA 0183 and Carlisle & Finch's own Protocol



Joystick Electric Control



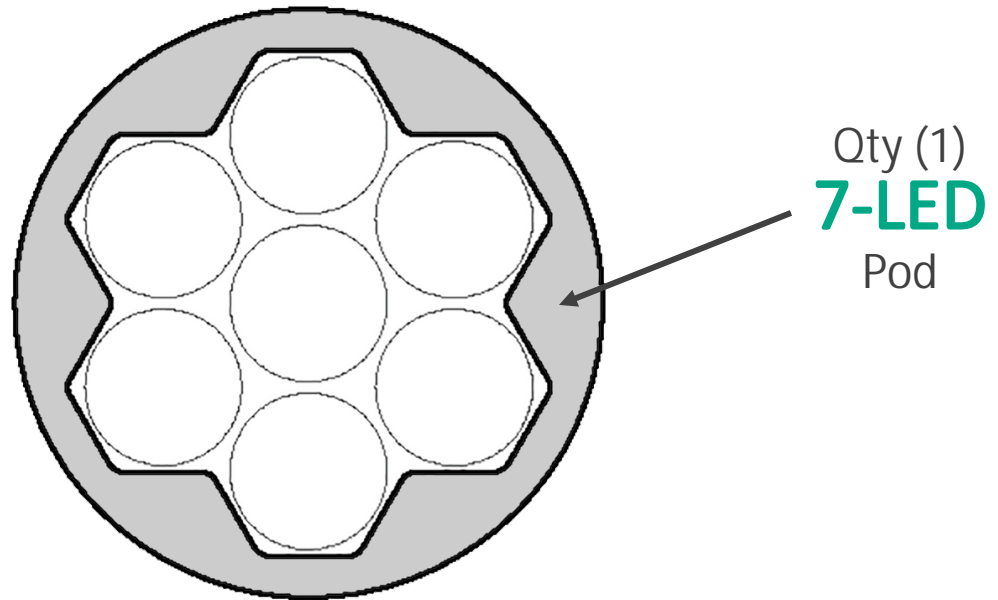
Remote Lever-Gear Control



Local Handle Control

Lighting the way forward since 1894

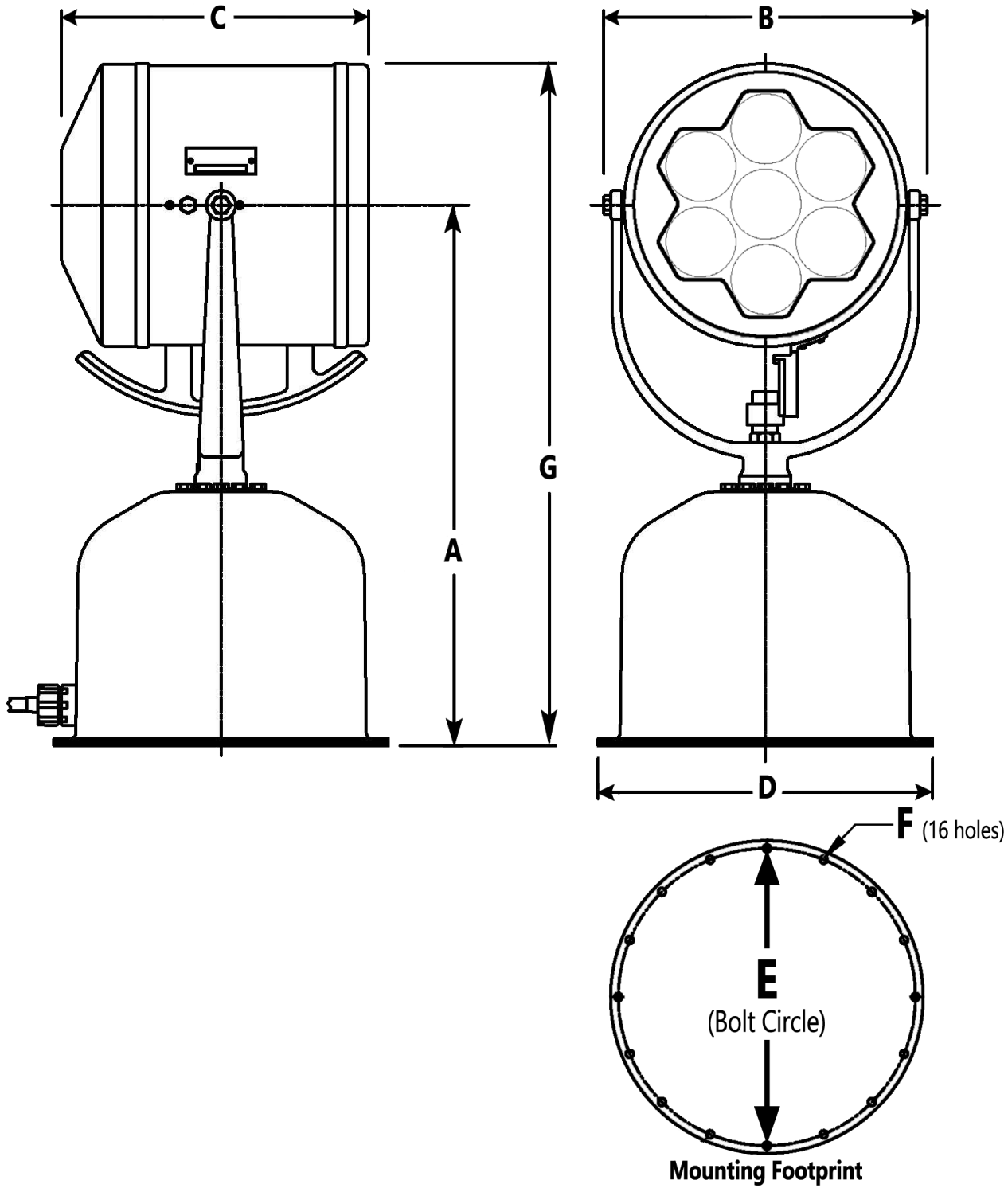
Redundancy and Extremely Long-life provides much higher reliability than Halogen Searchlights!



Front View

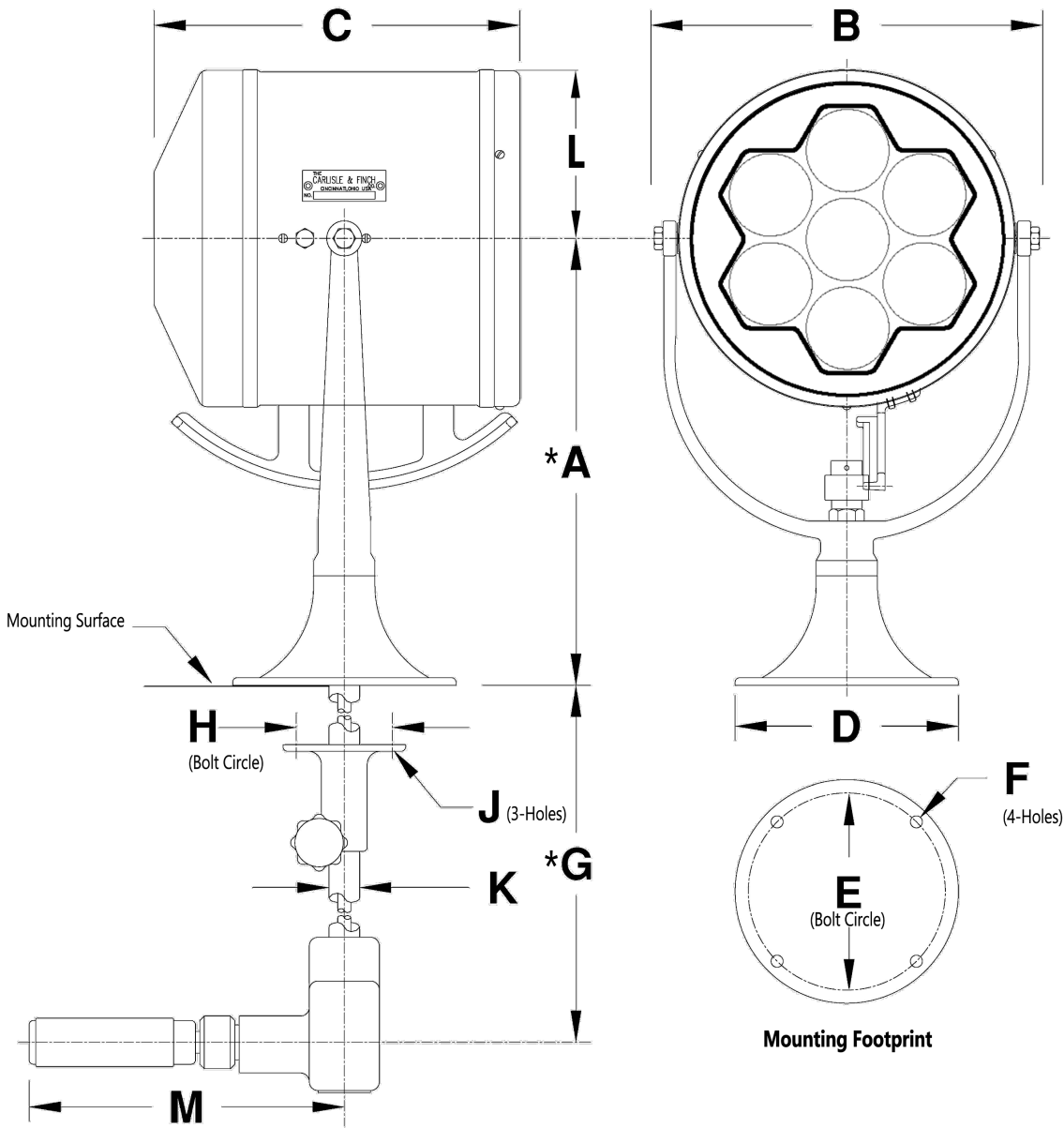
- § **Multiple LED Redundancy:** There are 7 Individual LEDs (i.e., light sources.) If one fails, there are 6 more producing a bright beam.
- § **Long Emitter-Life:** When the lamp fails on traditional Halogen searchlights, the entire searchlight fails. Lamp-life is approx. 250 hours for the most popular industry standard lamps. Since the LEDs will last 35,000+ hours (tested), there are approximately 80 Halogen searchlight failures for every LED searchlight due to lamp-life alone (i.e., $35,000 \div 250 = 140$ failures.)

Electric Joystick Control Dimensions



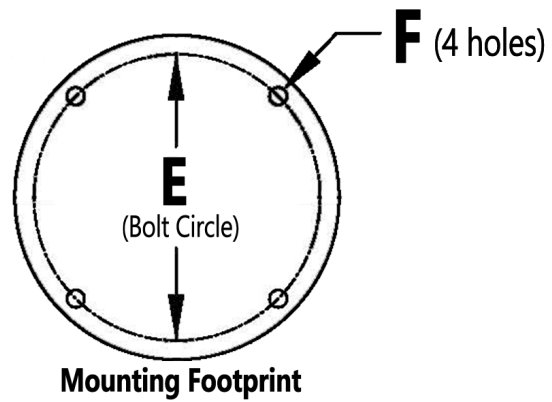
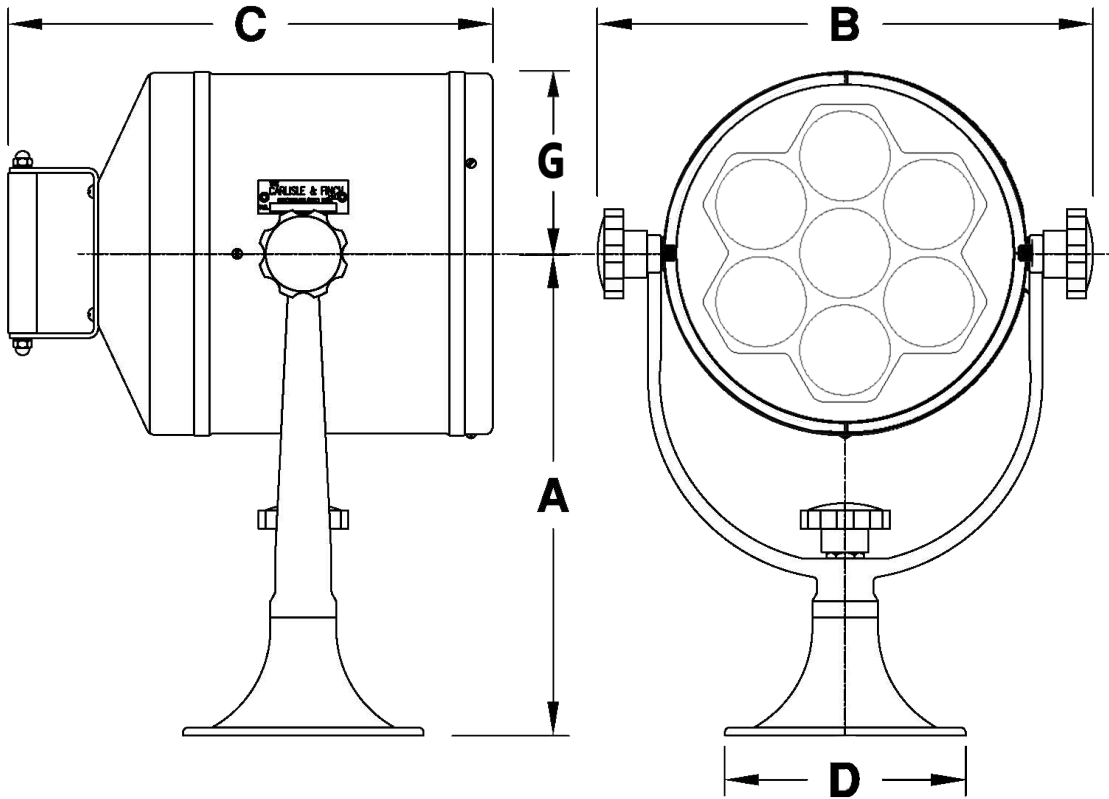
DIM	A	B	C	D	E	F	G
inches	18.19	11.00	10.44	Ø11.38	Ø10.81	Ø.281	23.19
mm	462	279	265	Ø289	Ø274	Ø7.137	589

Remote Lever-Gear Control Dimensions



DIM	*A	B	C	D	E	F	*G	H	J	K	L	M
inches	12.75	11.00	10.00	Ø6.38	Ø5.62	Ø.34	11.38	Ø2.75	Ø.28	Ø.88	4.81	9.00
mm	324	279	254	Ø162	Ø143	Ø9.00	289	Ø70	Ø7.00	Ø22	122	229
Note:	Dimension "A" is the standard Searchlight Height, and Dimension "G" is the standard Control Length. These two dimensions can be custom. Consult Factory for exact customer requirements.											

Local Handle Control Dimensions



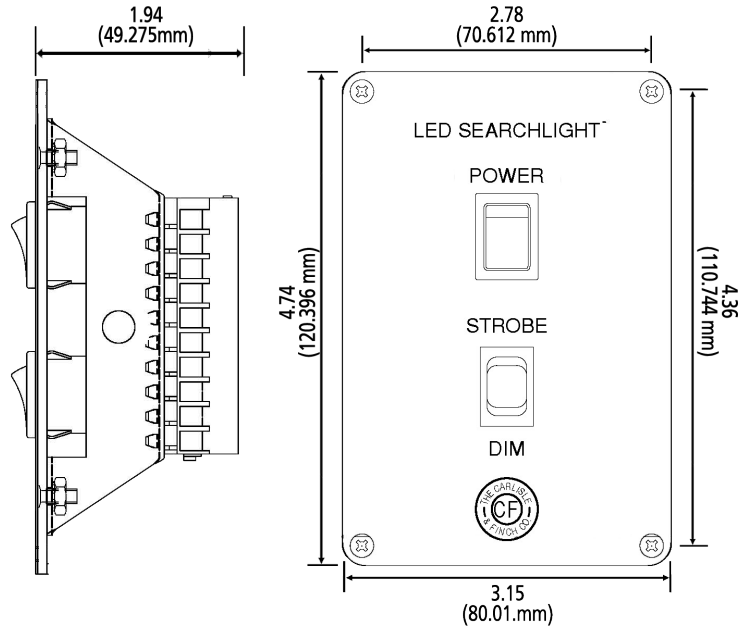
DIM	A	B	C	D	E	F	G
inches	12.75	13.12	12.00	Ø6.38	Ø5.62	Ø.34	4.81
mm	324	334	305	Ø162	Ø143	Ø9	122



Controller Dimensions

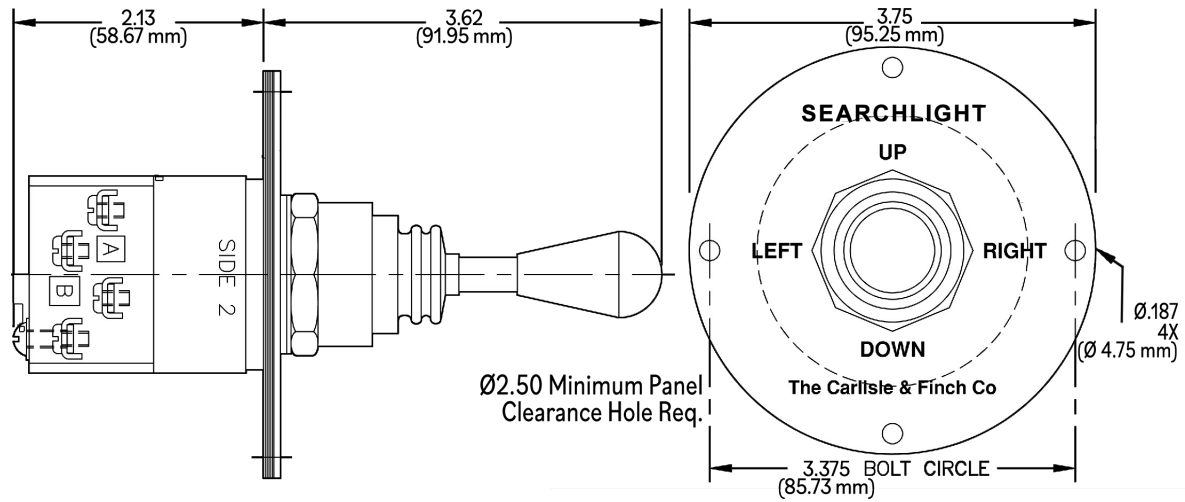
C2-12 Controller

includes Beam ON/OFF, Dim and Strobe Switches



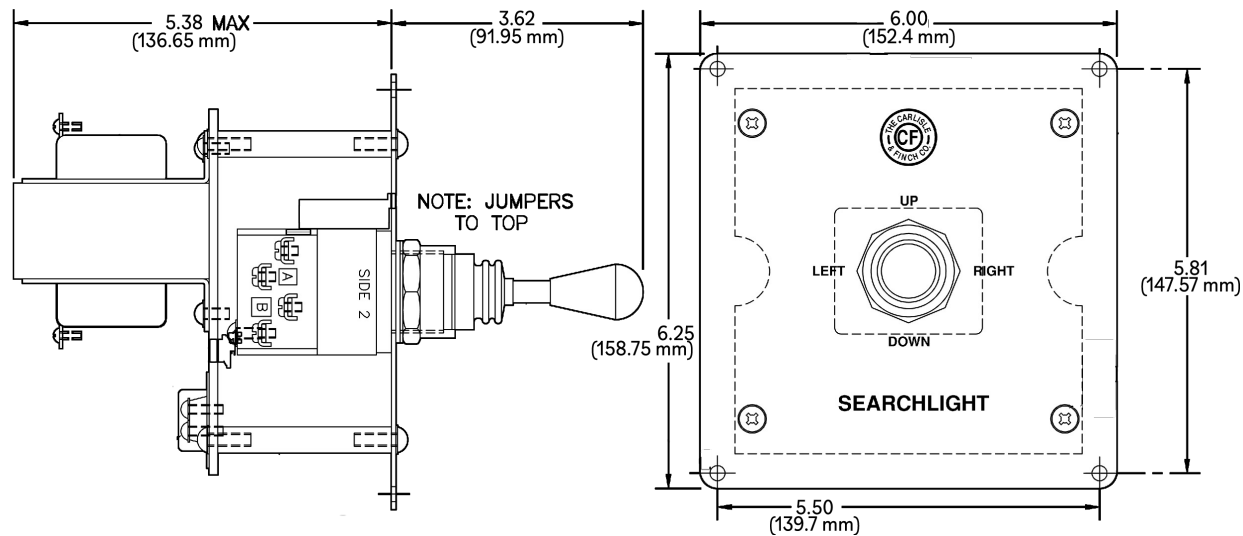
C8160 Joystick Controller

provides UP, DOWN, RIGHT and LEFT Aiming and Dynamic Breaking (115 VAC-only)



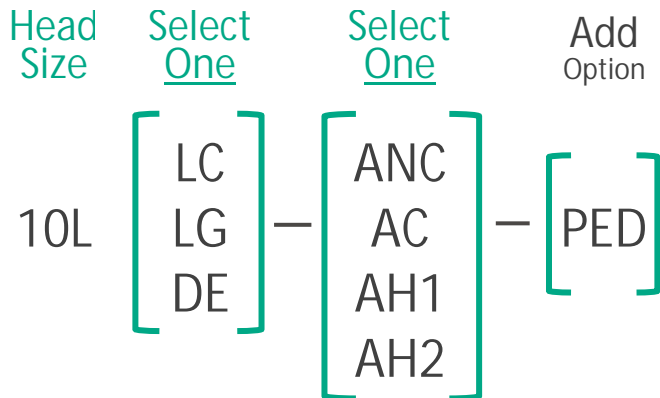
C8160-230 Joystick Controller

provides UP, DOWN, RIGHT and LEFT Aiming and Dynamic Breaking (230VAC-only)



How to specify Searchlight

Model Number



PED

Tall Pedestal Base

Option

- n Manual Control Only
- n Consult Factory

LC Local Handle Control
LG Remote Lever Gear
DE Joystick Electric Control

ANC 115/230 VAC (no Strobe/DIM)
AC 115/230 VAC (with Strobe/DIM)
AH1 115 VAC (with Anti-Icing Heaters)
AH2 230 VAC (with Anti-Icing Heaters)

Note: To specify Searchlight Model Number, go to top of page and insert letters from left to right as applicable.

Example #1

Model Number: 10L-LG-ANC-PED

10-inch (254mm) diameter, Remote Lever-Gear Control, 115 VAC and Tall Pedestal option

Example #2

Model Number: 10L-DE-AH2

10-inch (254mm) diameter, Joystick Electric Control, 230 VAC and Anti-Icing Heaters