



10-inch / 254mm LED Searchlight

Marine Green Product



Joystick Electric Control

Beam Intensity	2.8 Million Candela
Distance Serviced	1 lux at 1673 Meters (approx.)
Beam Spread	3.5°
Color Temperature	6200K
Controls	Joystick Electric Control, Remote Lever-Gear Control, or Local Handle Control
Environmental	IP56
Finish	Salt-resistant and Scratch-resistant Powder Coat (White, Black, Grey, and Custom), Polished Brass, or Chrome Finish
LED Emitter Life	Over 35,000+ Hours (<i>tested</i>)
Light Energy	4900 Lumens
Material	Brass and Stainless Steel
Power Consumption	85 Watts
Voltages	12VDC, 24VDC, 115VAC, or 230VAC

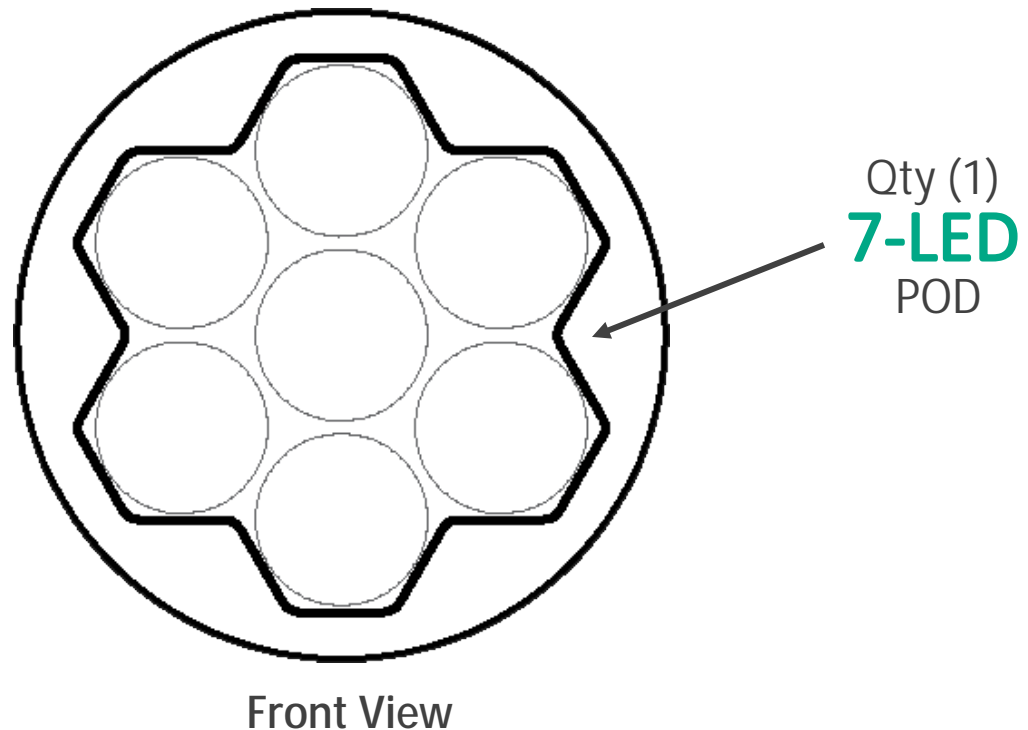


OPTIONS

Anti-icing Heater	Thermostatically-controlled heaters in the Base. (motorized base-only)
Azimuth Indicator	LCD Panel displays beam aiming position in degrees. (motorized base-only)
High Powered Strobe	Disorients and denies night vision of intruder and transforms searchlight into a Nonlethal Weapon
SmartVIEW™	Control System provides Digital BUS Network, and TCP/IP Interface allows Remote Computer Control. Protocols supported: ONVIF, Pelco-D, NMEA 0183 and Carlisle & Finch's own Protocol

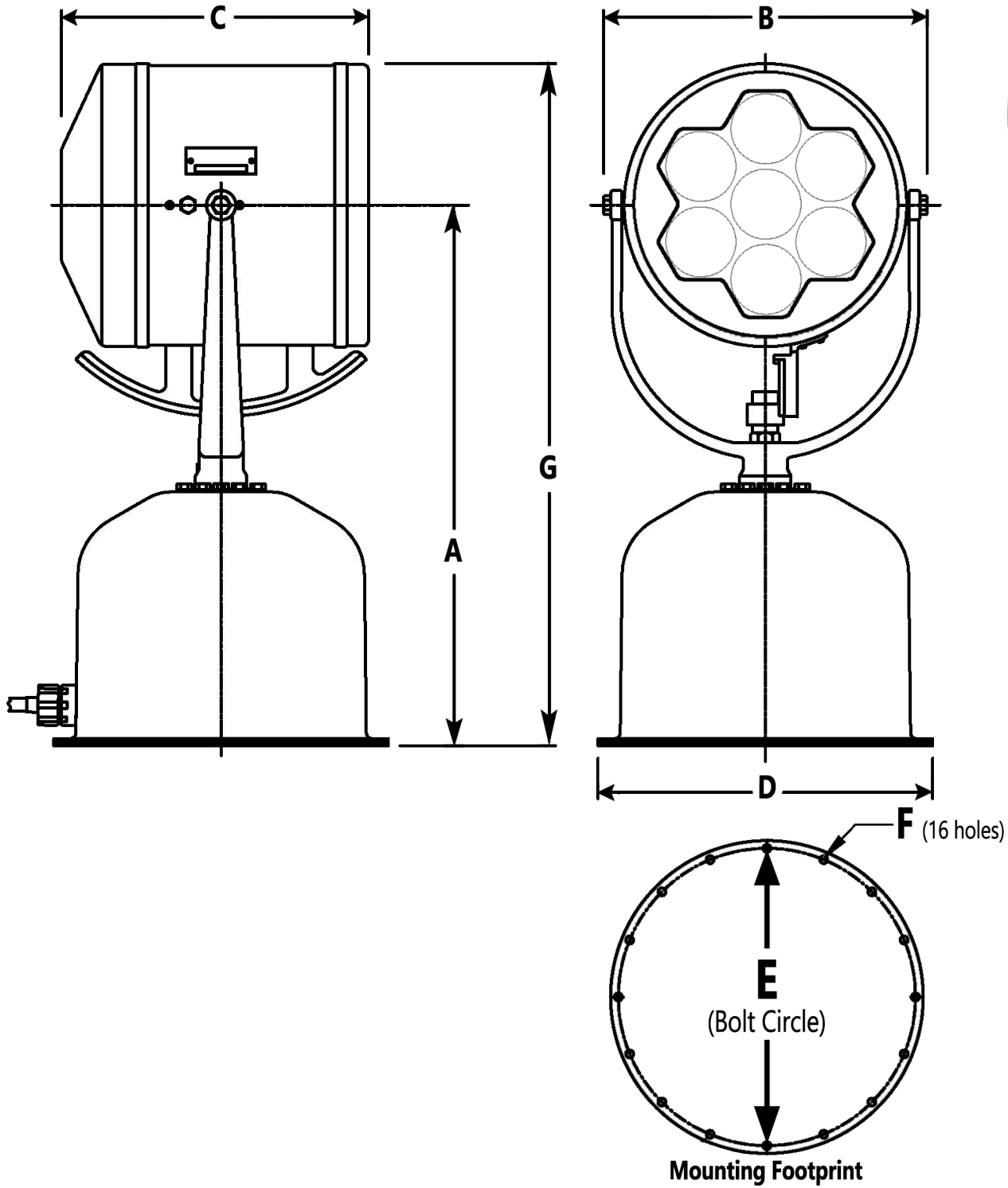
Lighting the way forward since 1894

Redundancy and Extremely Long-life provides much higher reliability than Halogen Searchlights!



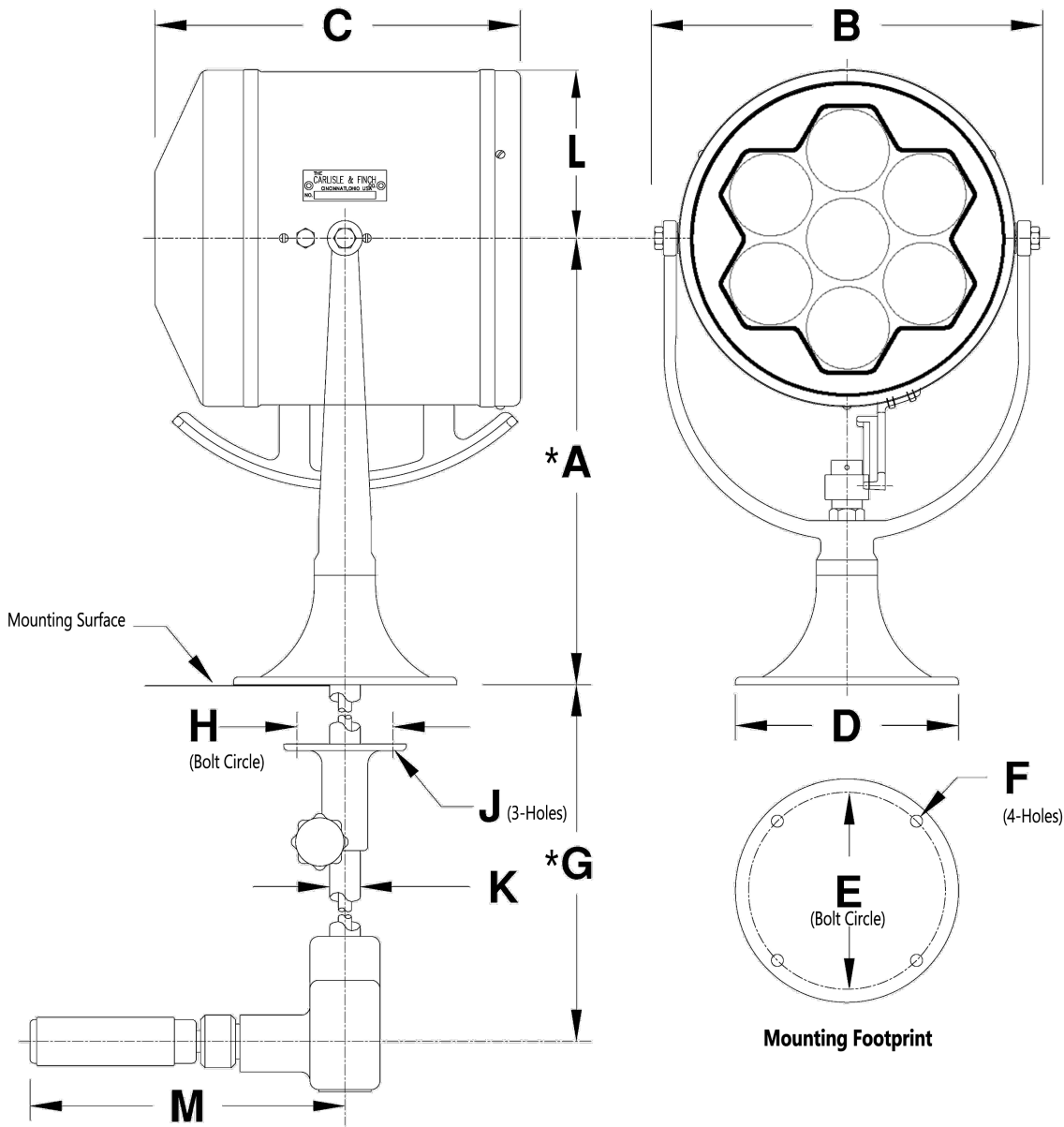
- § **Multiple LED Redundancy:** There are 7 Individual LEDs (i.e., light sources.) If one fails, there are 6 more producing a bright beam.
- § **Long Emitter-Life:** When the lamp fails on traditional Halogen searchlights, the entire searchlight fails. Lamp-life is approx. 250 hours for the most popular industry standard lamps. Since the LEDs will last 35,000+ hours (*tested*), there are approximately 80 Halogen searchlight failures for every LED searchlight due to lamp-life alone (i.e., $35,000 \div 250 = 140$ failures.)

Electric Joystick Control Dimensions



DIM	A	B	C	D	E	F	G
inches	18.19	11.00	10.44	Ø11.38	Ø10.81	Ø.281	23.19
mm	462	279	265	Ø289	Ø274	Ø7.137	589

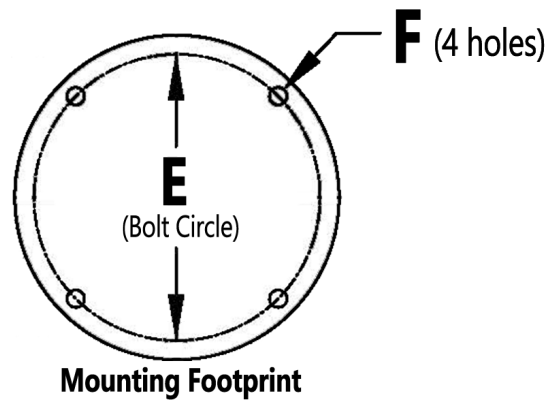
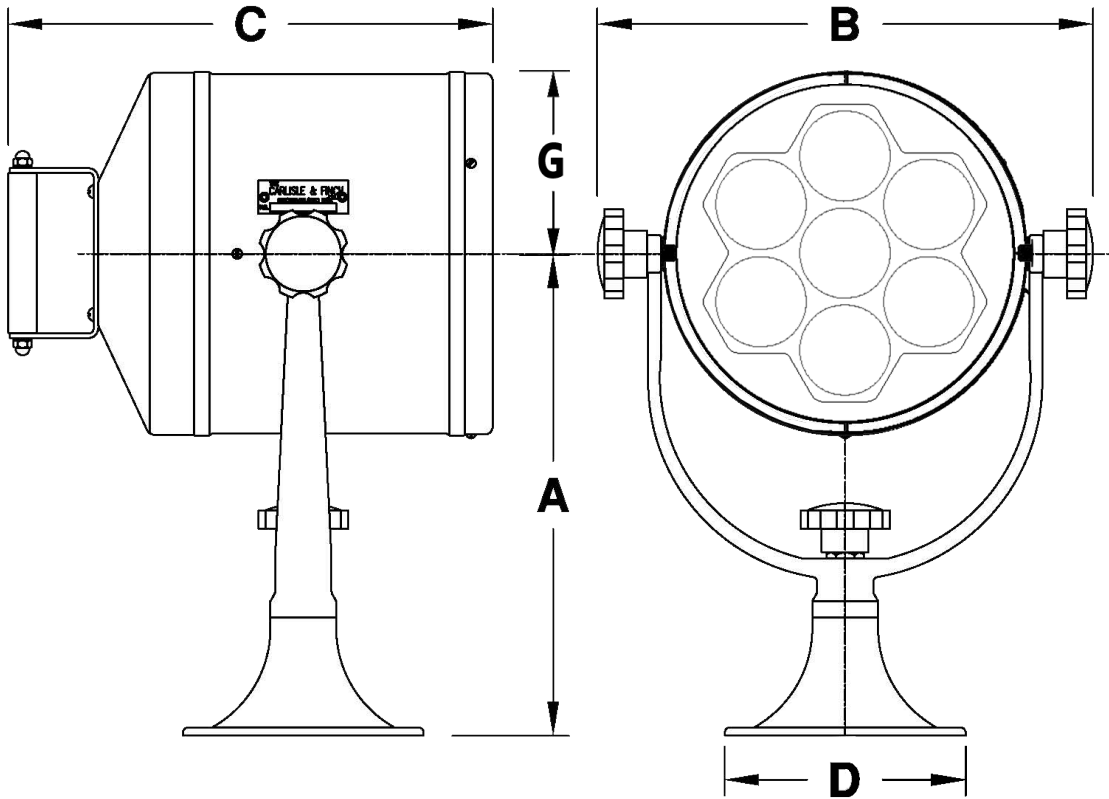
Remote Lever-Gear Control Dimensions



DIM	*A	B	C	D	E	F	*G	H	J	K	L	M
inches	12.75	11.00	10.00	Ø6.38	Ø5.62	Ø.34	11.38	Ø2.75	Ø.28	Ø.88	4.81	9.00
mm	324	279	254	Ø162	Ø143	Ø9.00	289	Ø70	Ø7.00	Ø22	122	229

Note: Dimension "A" is the standard Searchlight Height, and Dimension "G" is the standard Control Length. These two dimensions can be custom. Consult Factory for exact customer requirements.

Local Handle Control Dimensions



DIM	A	B	C	D	E	F	G
inches	12.75	13.12	12.00	Ø6.38	Ø5.62	Ø.34	4.81
mm	324	334	305	Ø162	Ø143	Ø9	122

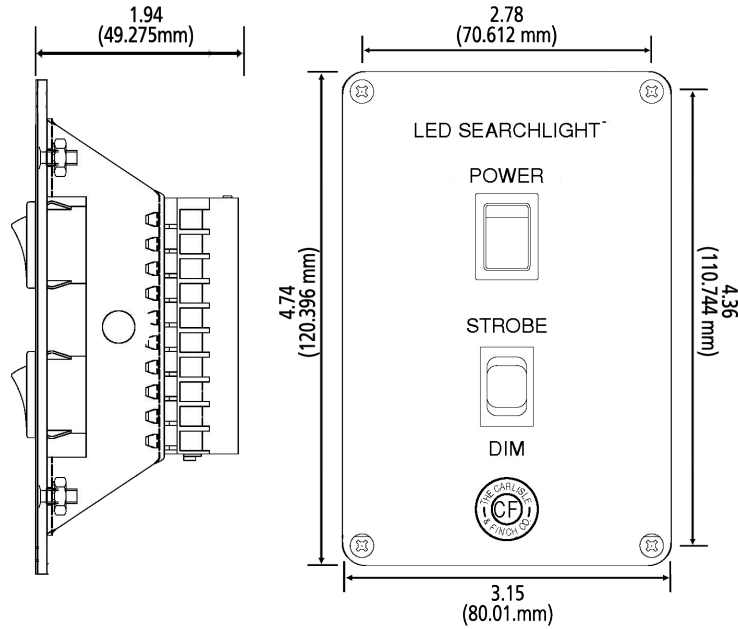
Note: Taller Pedestal Bases are available for manual control searchlights only. Consult Factory for more *(custom height)* information.



Controller Dimensions

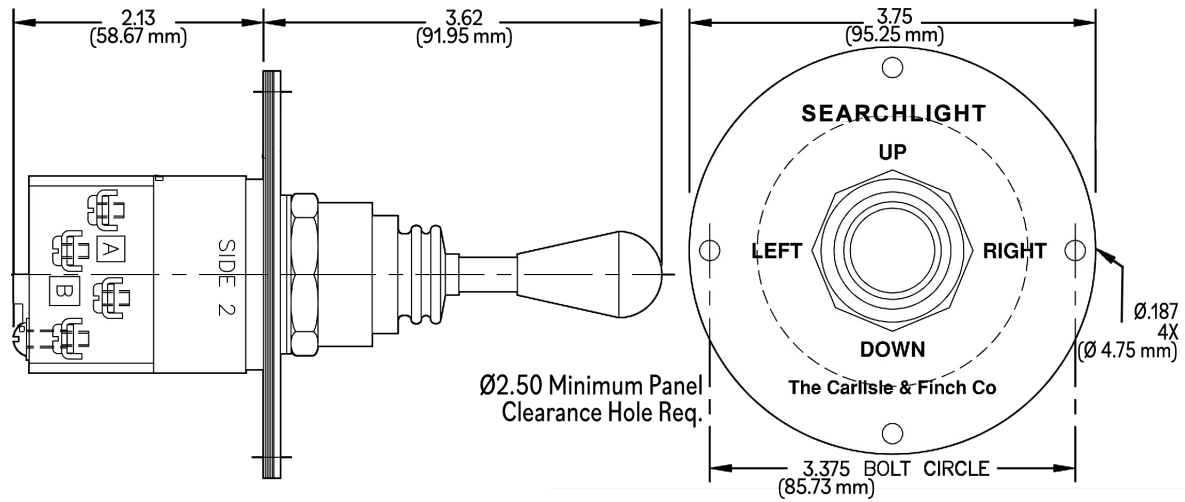
C2-12 Controller

includes Beam ON/OFF, Dim and Strobe Switches



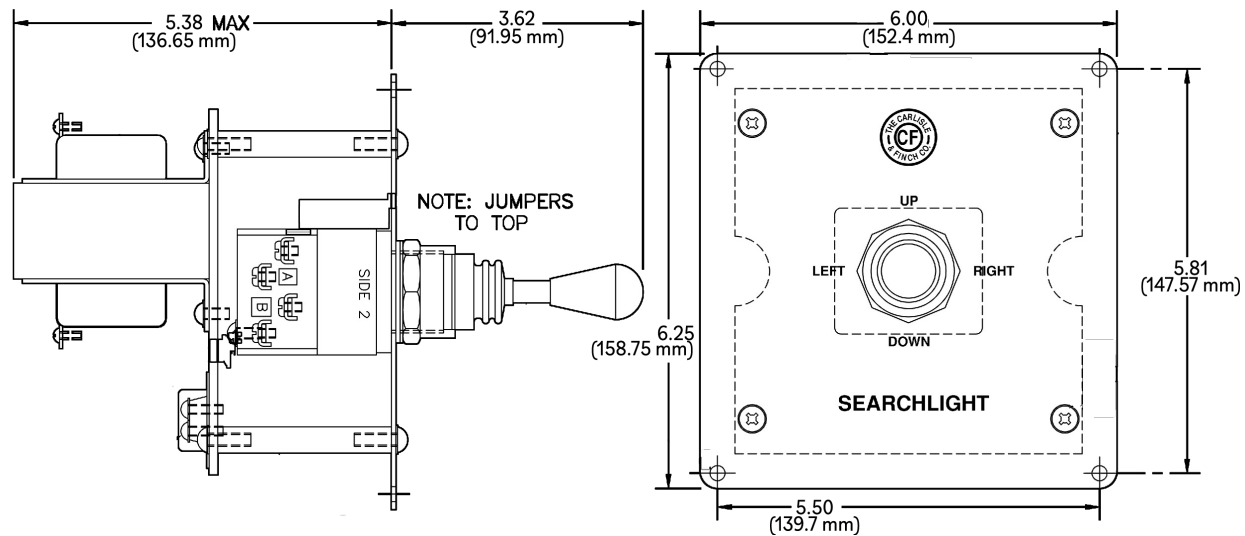
C8160 Joystick Controller

provides UP, DOWN, RIGHT and LEFT Aiming and Dynamic Breaking (115 VAC-only)



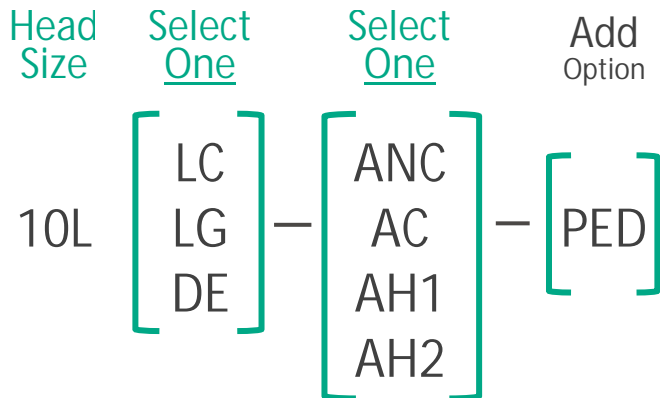
C8160-230 Joystick Controller

provides UP, DOWN, RIGHT and LEFT Aiming and Dynamic Breaking (230VAC-only)



How to specify Searchlight

Model Number



PED Tall Pedestal Base
Option
Consult Factory

LC Local Handle Control
LG Remote Lever Gear
DE Joystick Electric Control

ANC 115/230 VAC (no Strobe/DIM)
AC 115/230 VAC (with Strobe/DIM)
AH1 115 VAC (with Anti-Icing Heaters)
AH2 230 VAC (with Anti-Icing Heaters)

Note: To specify Searchlight Model Number, go to top of page and insert letters from left to right as applicable.

Example #1

Model Number: 10L-LG-ANC-PED

10-inch (254mm) diameter, Remote Lever-Gear Control, 115 VAC and Tall Pedestal option

Example #2

Model Number: 10L-DE-AH2

10-inch (254mm) diameter, Joystick Electric Control, 230 VAC and Anti-Icing Heaters