



# 12-inch / 305 mm LED Searchlight

Eco-Friendly Product



Joystick Electric Control

Beam Intensity	4 Million Candlepower (candela)
Distance Serviced	1 lux at 2000 meters (approx.)
Beam Spread	3.5° (approx.)
Color Temperature	6200K
Controls	Joystick Electric Control, Remote Lever-Gear Control and Local Handle Control
Environmental	IP56
LED Emitter Life	35,000+ Hours ( <i>tested</i> )
Light Energy	7000 Lumens
Material/Finish	Salt-resistant and Scratch-resistant Powder Coat (White, Black, Grey, and Custom), Polished Brass, or Chrome Finish
Modular Redundancy	Each POD has its own electronics, so if one fails, a bright beam is still projected (Pg.2)
Power Consumption	120 Watts
Voltages	12VDC, 24VDC, 110VAC – 277VAC

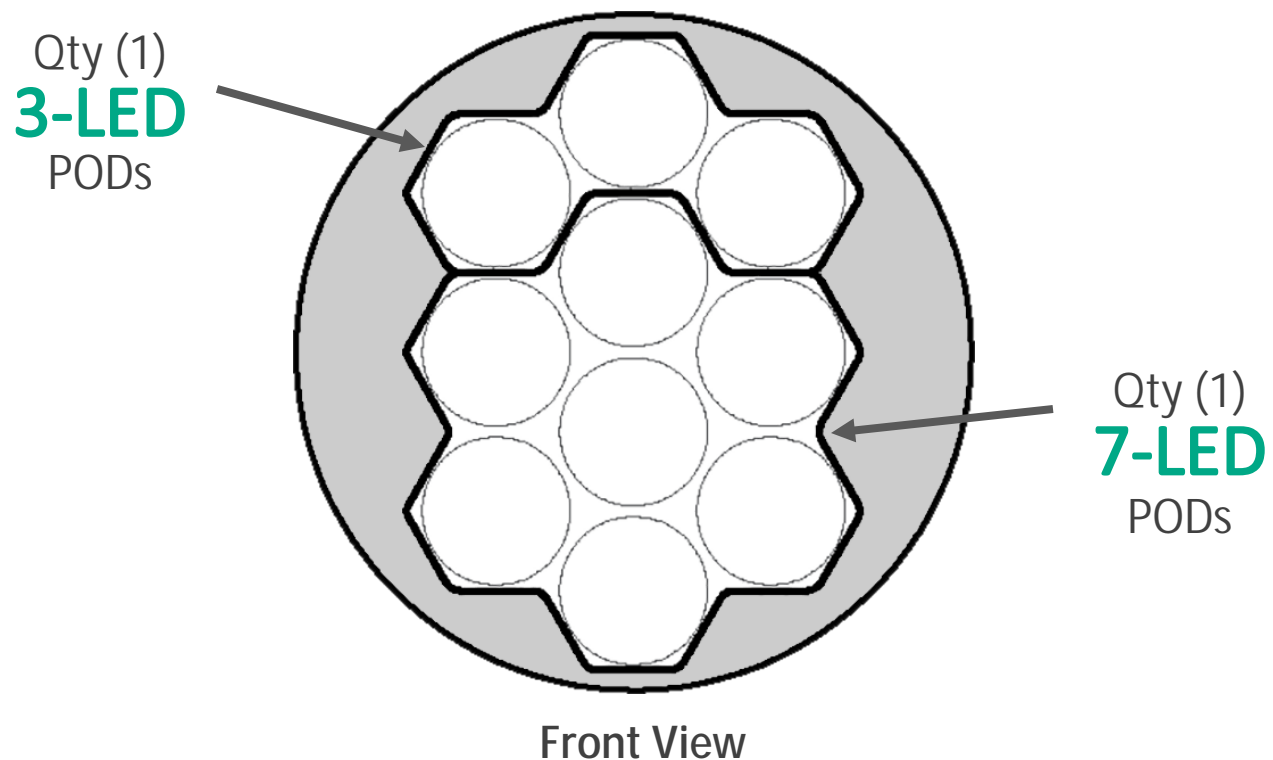


## OPTIONS

Anti-icing Heater	Thermostatically-controlled heater prevents ice build-up in cold climates (motorized base-only)
Azimuth Indicator	LCD Panel displays horizontal aiming position in degrees (motorized base-only)
Finishes	Custom Colors and Sparkling Chrome available
High Powered Strobe	Disorients and denies night vision of intruder and transforms searchlight into a Nonlethal Weapon
Infrared Night Vision	Integral Infrared (IR) LEDs covertly light up objects, which appear like daylight on a camera monitor. Covert IR energy is 850NM (Pg.4)
SmartVIEW™	Control System provides Digital BUS Network, and TCP/IP Interface allows Remote Computer Control. Protocols supported: ONVIF, Pelco-D, NMEA 0183 and Carlisle & Finch's own Protocol
Wall of Light LEDs	Extremely wide beam at short range, illuminates areas where the narrower beam cannot service (Pg.3)

*Lighting the way forward since 1894*

## *Redundancy and Extreme Long-life provides much higher reliability than Halogen Searchlights!*

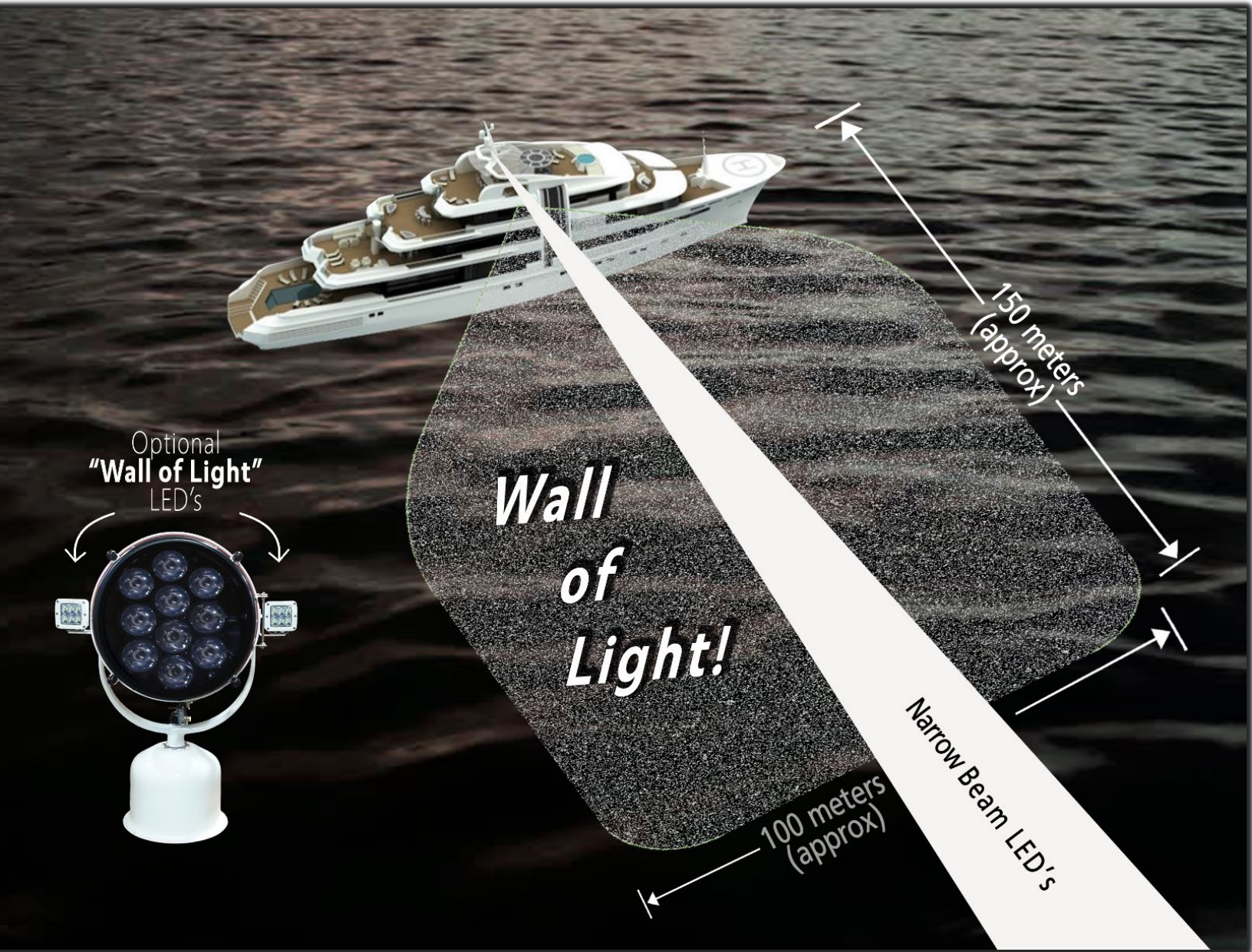


- § **Multiple LED Redundancy:** There are 10 Individual LEDs (i.e., light sources.) If one fails, there are 9 more producing a bright beam.
- § **Multiple POD Redundancy:** Each searchlight has two PODs. Unique to C&F, each POD has its own separate electronics. If a board happens to fail, the “Second POD” produces a bright beam in back-up mode.
- § **Long Emitter-Life:** When the lamp fails on traditional Halogen searchlights, the entire searchlight fails. Lamp-life is approx. 250 hours for the most popular industry standard lamps. Since the LEDs will last 35,000+ hours (*tested*), there are approximately 80 Halogen searchlight failures for every LED searchlight due to lamp-life alone (i.e.,  $35,000 \div 250 = 140$  failures.)

# The Wall of Light!

*“Auxiliary LEDs illuminate wide areas at close range where the narrower beam cannot service”*

Imagine a passenger suddenly falls overboard on a marine vessel. Using the auxiliary LEDs for **“Search and Rescue”**, an operator can instantly direct a powerful **“Wall of Light”**, wider than a football field, anywhere around the vessel to save the person! This wide beam is also extremely effective for **“Docking”**. This option provides short range wide-beam illumination and long-range search capabilities, combined within one versatile product.

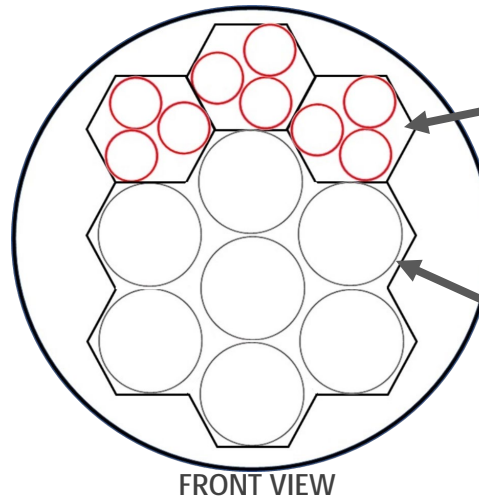




# Infrared (IR) LEDs provide built-in Night Vision

## NIGHT VISION CAPABILITY!

An invisible beam, undetectable to the human eye, covertly lights up objects in total darkness, and they appear like daylight on a camera monitor.

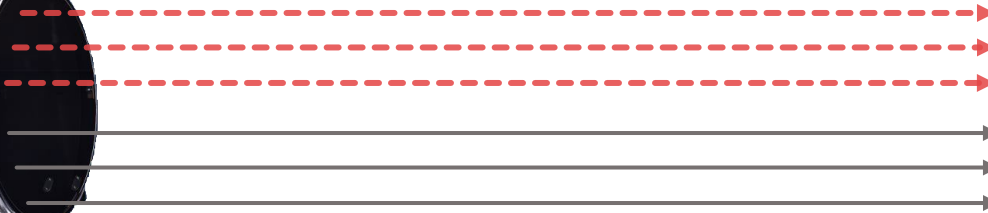


Qty (9)  
**IR LEDs**  
"Invisible Beam"

Qty (7)  
**LEDs**  
"Visible Beam"



Lowlight Camera

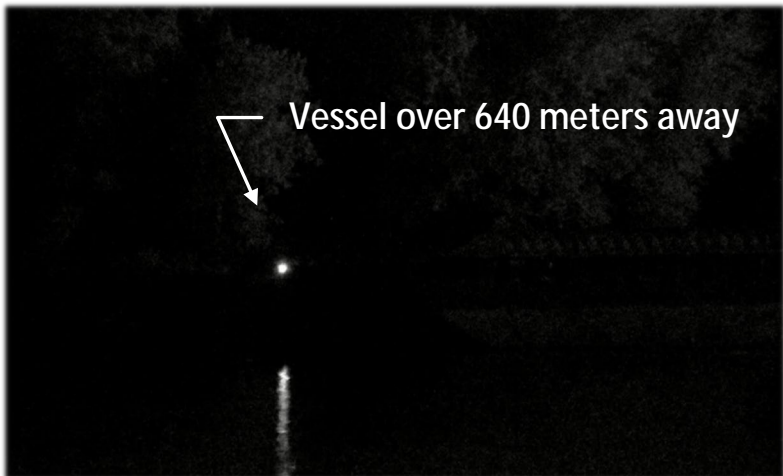


**Invisible (IR) Beam**

**Visible Beam w/ STROBE**

The **Visible Beam** is aligned on the same target, therefore the IR Beam is used as a "Covert Targeting Device", to instantly and accurately illuminate the object!

## Night Scenes on Riverbank

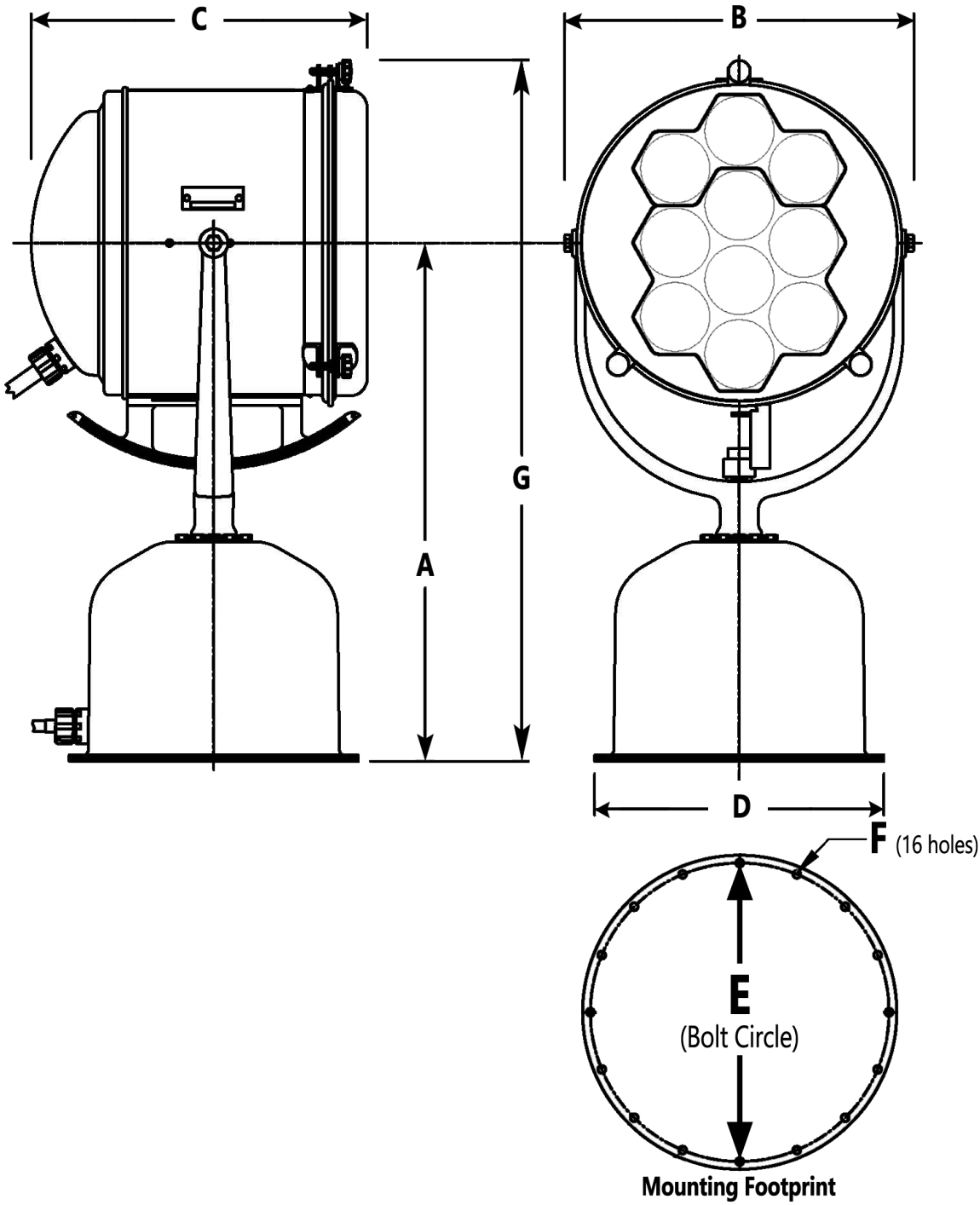


in Total Darkness



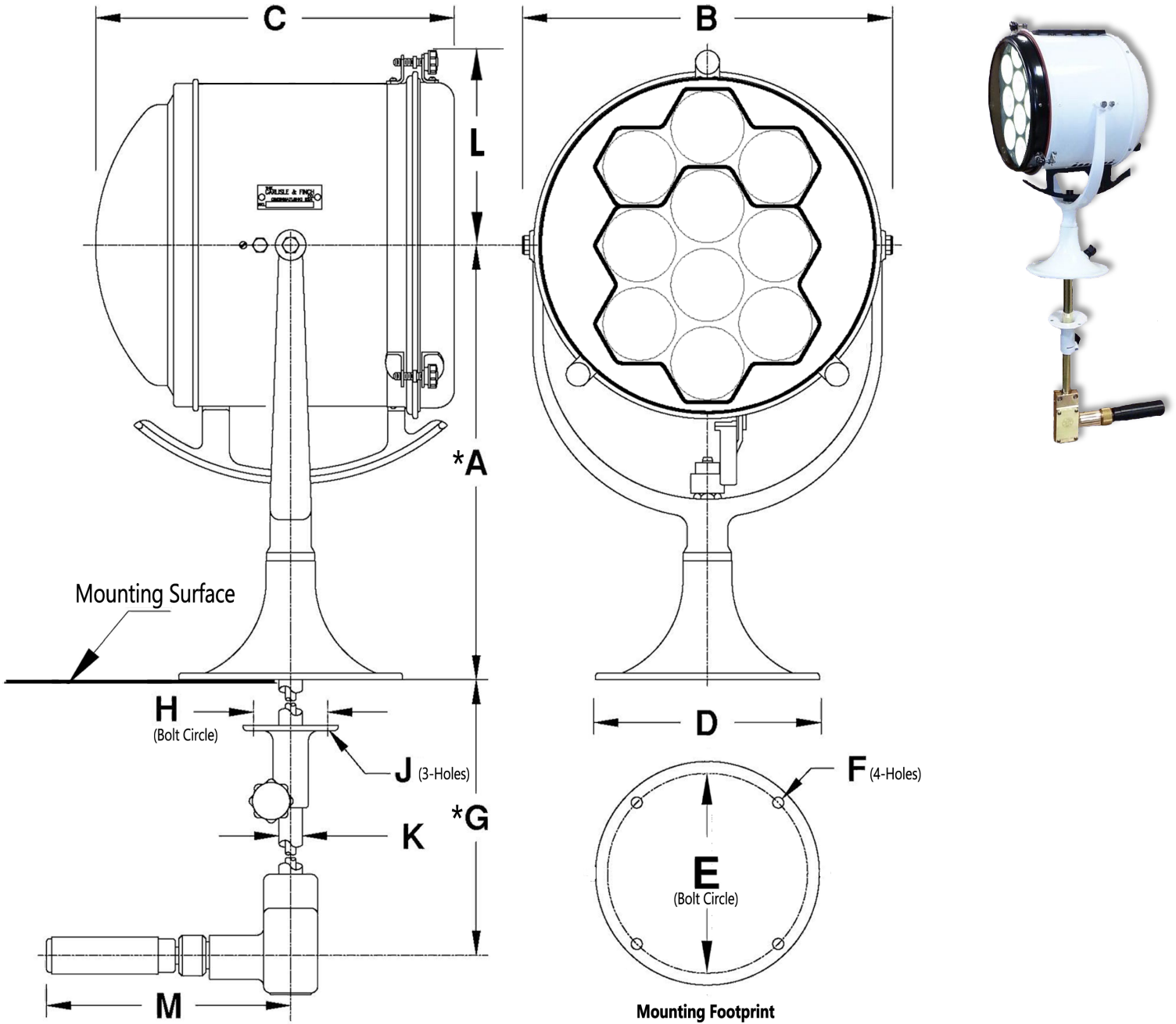
with (IR) Beam **ON!**

# Joystick Electric Control Dimensions



DIM	A	B	C	D	E	F	G
inches	20.25	13.75	13.25	Ø11.38	Ø10.81	Ø.281	27.56
mm	514	349	336	Ø289	Ø274	Ø7.137	700

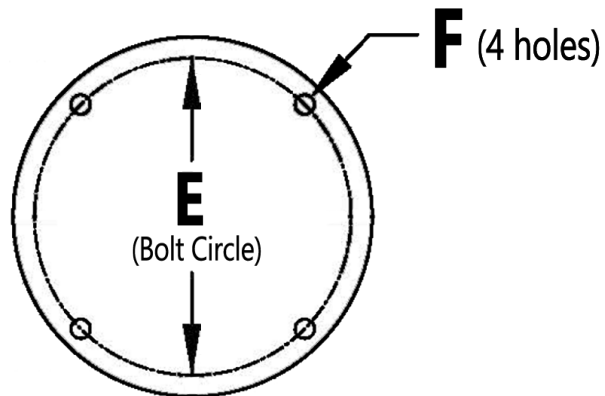
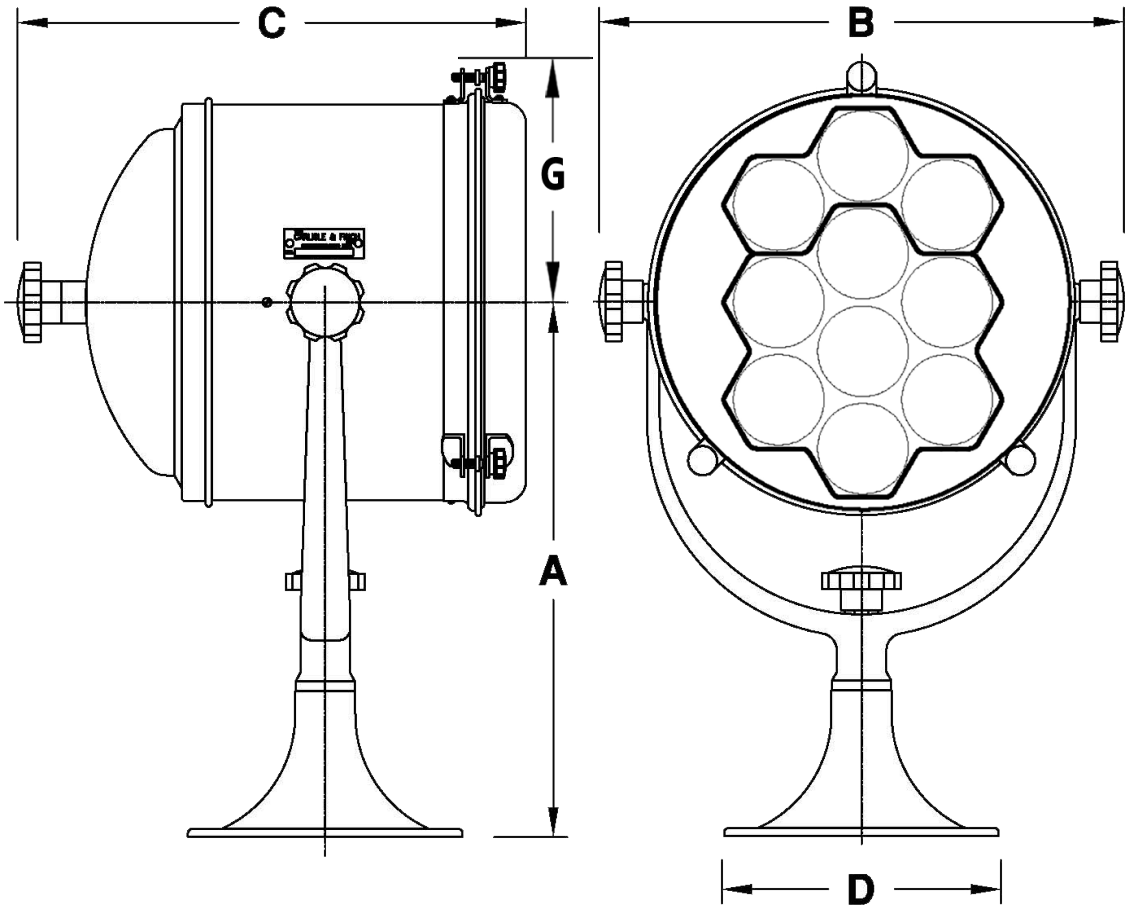
# Remote Lever-Gear Control Dimensions



DIM	*A	B	C	D	E	F	*G	H	J	K	L	M
inches	15.94	13.5	13.25	Ø8.25	Ø7.38	Ø.41 4x	10.88	Ø2.75	Ø.28 3x	Ø.88	6.62	9.00
mm	405	343	337	Ø210	Ø187	Ø10 4x	276	Ø70	Ø7 3x	Ø22	168	229

\*Note: Dimension "A" is the standard Searchlight Height, and Dimension "G" is the standard Control Length. These two dimensions can be custom. Consult Factory for exact customer requirements.

# Local Handle Control Dimensions



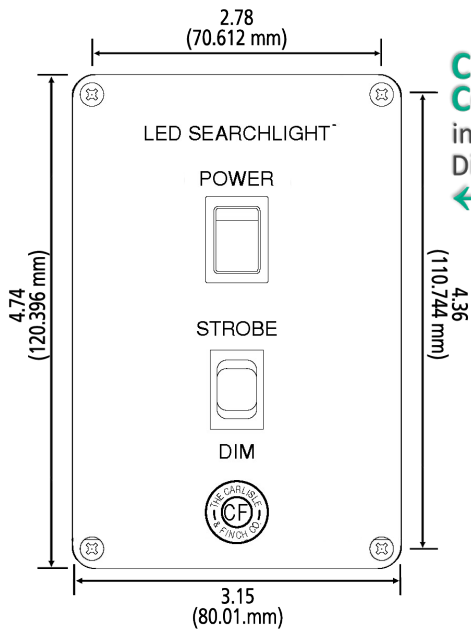
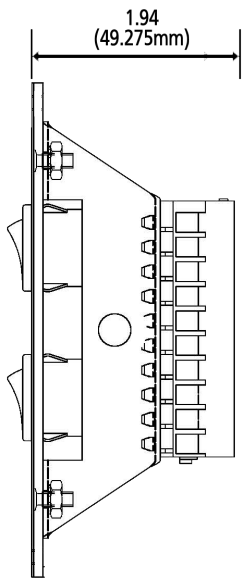
**Mounting Footprint**

DIM	*A	B	C	D	E	F	G
inches	15.94	15.62	15.50	Ø8.25	Ø7.38	Ø.41	7.28
mm	405	397	394	Ø210	Ø188	Ø11	184

\*Note: Dimension "A" is the standard height. Consult Factory for custom heights.



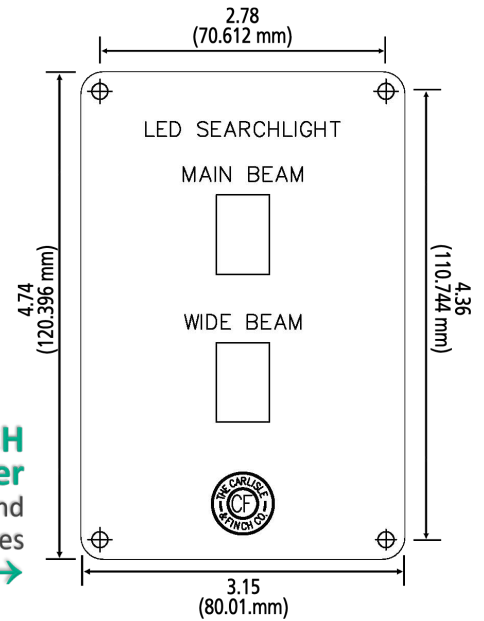
# Controller Dimensions



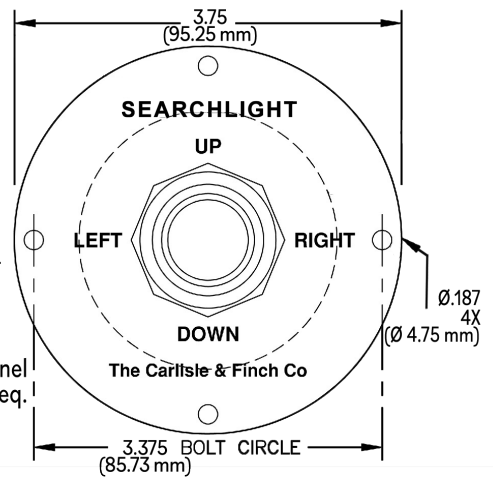
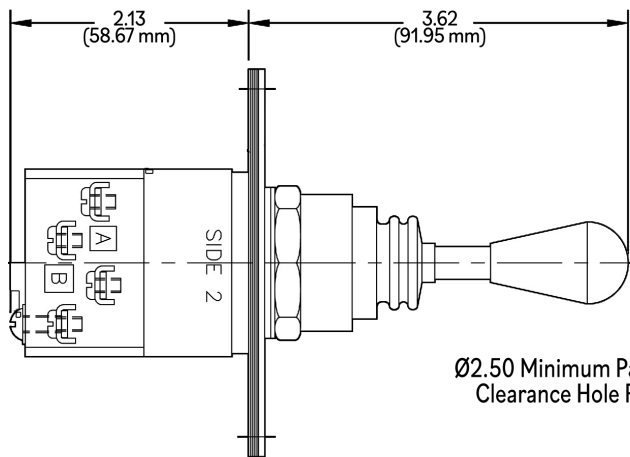
**C2-12 Controller**  
includes Beam ON/OFF, Dim and Strobe Switches



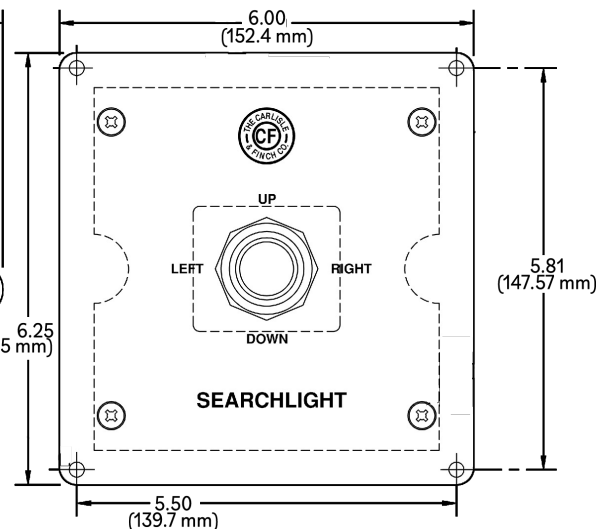
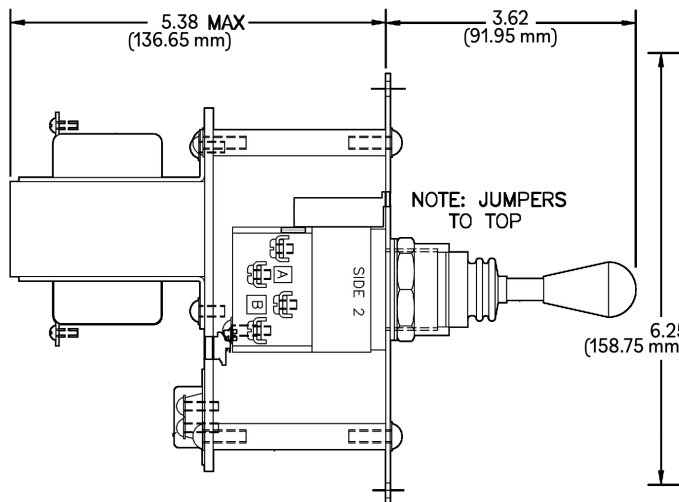
**C2-13-DCH Controller**  
includes Beam ON/OFF and Wide Beam Switches



**C8160 Joystick Controller**  
provides UP, DOWN, RIGHT and LEFT Aiming and Dynamic Breaking (115 VAC-only)



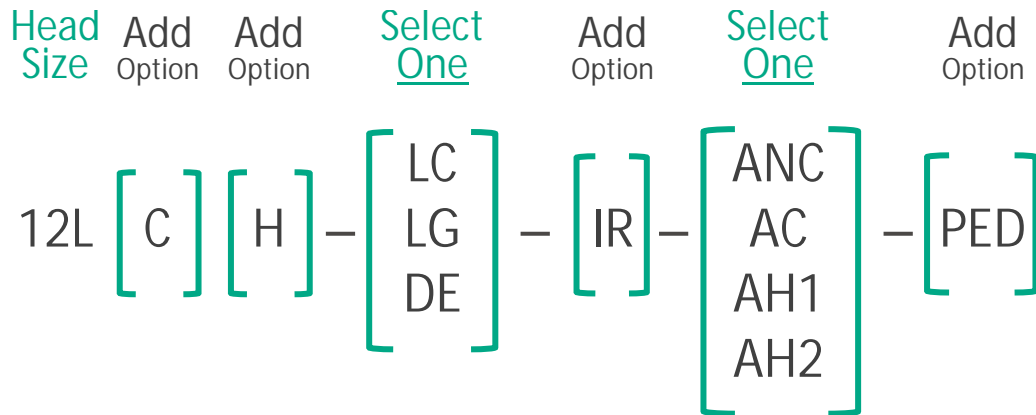
**C8160-230 Joystick Controller**  
provides UP, DOWN, RIGHT and LEFT Aiming and Dynamic Breaking (230VAC-only)





# How to specify Searchlight

## Model Number



<b>C</b> Chrome Finish <i>Option</i>	<b>H</b> "Wall of Light" LEDs <i>Option</i>	<b>IR</b> Night Vision Infrared LEDs <i>Option</i>	<b>PED</b> Tall Pedestal Base Manual Control-Only <i>Option</i> <a href="#">Consult Factory</a>
<b>LC</b> Local Handle Control	<b>LG</b> Remote Lever Gear	<b>DE</b> Joystick Electric Control	<b>ANC</b> 115/230 VAC (no Strobe/DIM)
			<b>AC</b> 115/230 VAC (with Strobe/DIM)
			<b>AH1</b> 115 VAC (with Anti-Icing Heaters)
			<b>AH2</b> 230 VAC (with Anti-Icing Heaters)

Note: To specify Searchlight Model Number, go to top of page and insert letters from left to right as applicable.

### Example #1

Model Number: 12L-LG-ANC-PED

12-inch (305mm) diameter, Remote Lever-Gear Control, 115 VAC and Tall Pedestal option

### Example #2

Model Number: 12LC-DE-AH2

12-inch (305mm) diameter, Chrome Finish, Joystick Electric Control, 230 VAC and Anti-Icing Heaters