



# 19-inch / 483mm LED Searchlight

Eco-Friendly Product



Joystick Electric Control

## Beam Intensity

**3.5° Beam Option** 12 Million Candela  
1 Lux at 3464 Meters (approx.)

**8.5° Beam Option** 3,150,000 Candela  
1 Lux at 1774 Meters (approx.)

**Color Temperature** 6200K

**Controls** Joystick Electric Control, Remote Lever-Gear, or Local Handle

**Environmental** IP56

**LED Emitter Life** 35,000+ Hours (*tested*)

**Light Energy** 21,000 Lumens

**Materials/Finish** Marine Grade Aluminum and Stainless Steel with Salt-Resistant, Scratch-Resistant Powder Coat (White, Black, Grey, and Custom)

**Modular Redundancy** Each pod has its own electronics, so if one fails, a bright beam still is projected (Pg.2)

**Power Consumption** 400 Watts

**Voltages** 110VAC – 277VAC

## OPTIONS

**Anti-icing Heater** Heaters prevent ice build-up in cold climates

**Azimuth Indicator** LCD panel displays horizontal aiming position

**High Powered Strobe** Denies night vision and disorients intruder while transforming the searchlight into a Nonlethal Weapon

**Morse Code** Signaling capability for Military/Government

**Infrared Night Vision** Infrared (IR) LEDs project invisible beam to human eye but used covertly with Lowlight Cameras/NVG's (Pg.4)

**SmartVIEW™** Control System provides Digital BUS Network, and TCP/IP Interface allows Remote Computer Control. Protocols supported: ONVIF, Pelco-D, NMEA 0183 and Carlisle & Finch's own Protocol

**Wall of Light LEDs** Wide beam at short range, illuminates areas where the narrower long-distance beam cannot service (Pg.3)



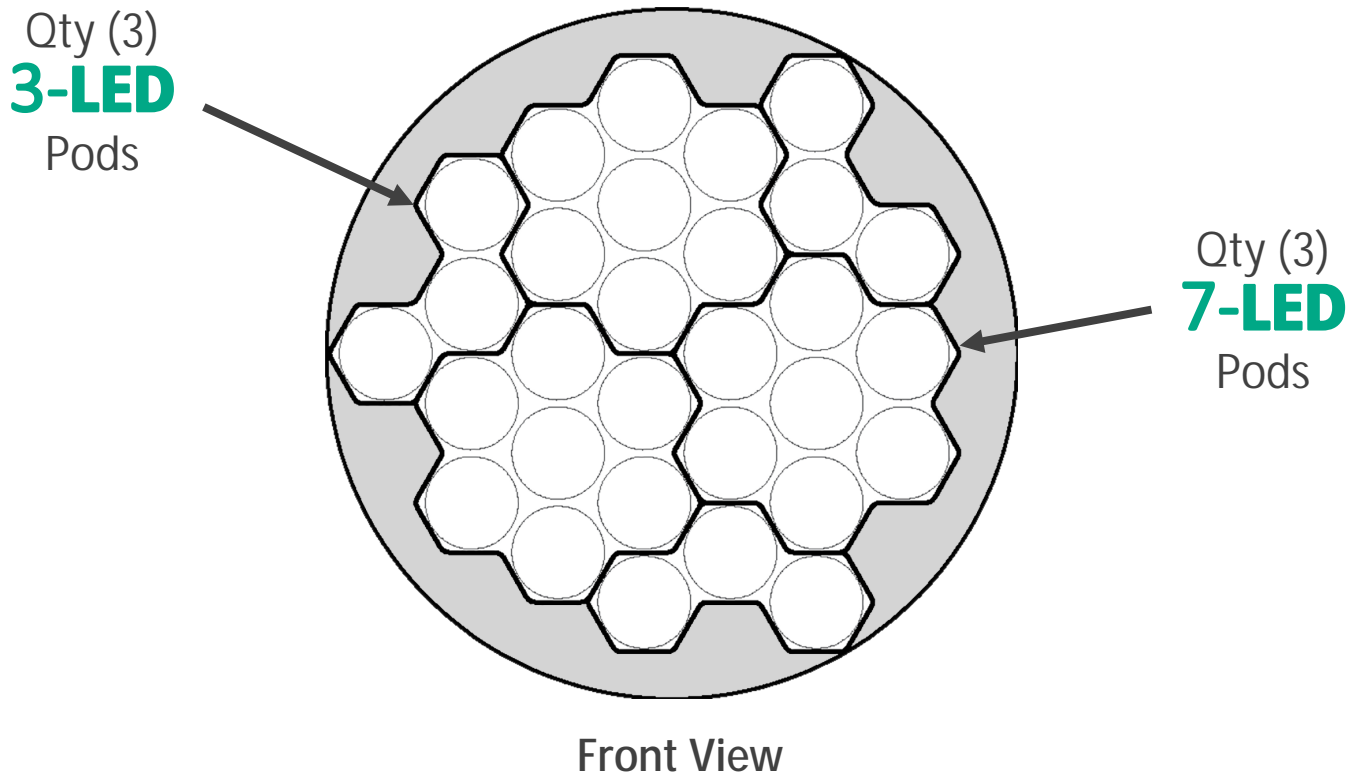
Remote Lever-Gear Control



Local Handle Control

*Lighting the way forward since 1894*

## *Redundancy and Extreme Long-life provides much higher reliability than Halogen!*

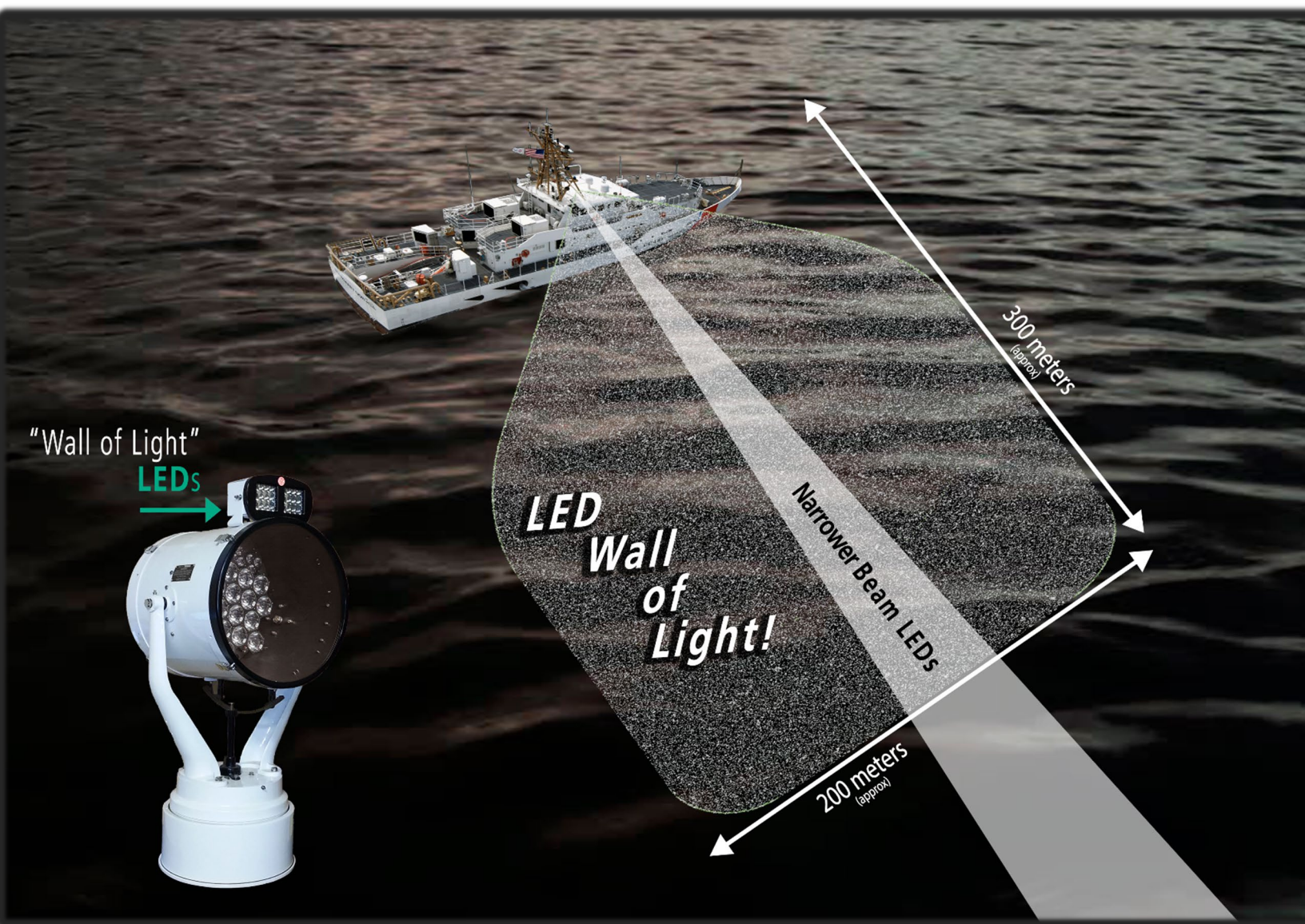


- § **Multiple LED Redundancy** There are 30 Individual LEDs (i.e., light sources.) If one fails, there are 29 more producing a bright beam.
- § **Multiple Pod Redundancy** Unique to C&F, each pod has its own separate electronics. If an electronic board happens to fail, there are five (5) additional pods producing a bright beam in back-up mode.
- § **Long Emitter-Life** When the lamp fails on traditional Halogen searchlights, the entire searchlight fails. Lamp-life is approx. 250 hours for the most popular industry standard lamps. Since the LEDs will last 30,000+ hours, there are approximately 120 Halogen searchlight failures for every LED searchlight due to lamp-life failure alone (i.e.,  $35,000 \div 250 = 140$  failures.)

# The Wall of Light!

*“Auxiliary LEDs illuminate wide areas at close range where the narrower beam cannot service”*

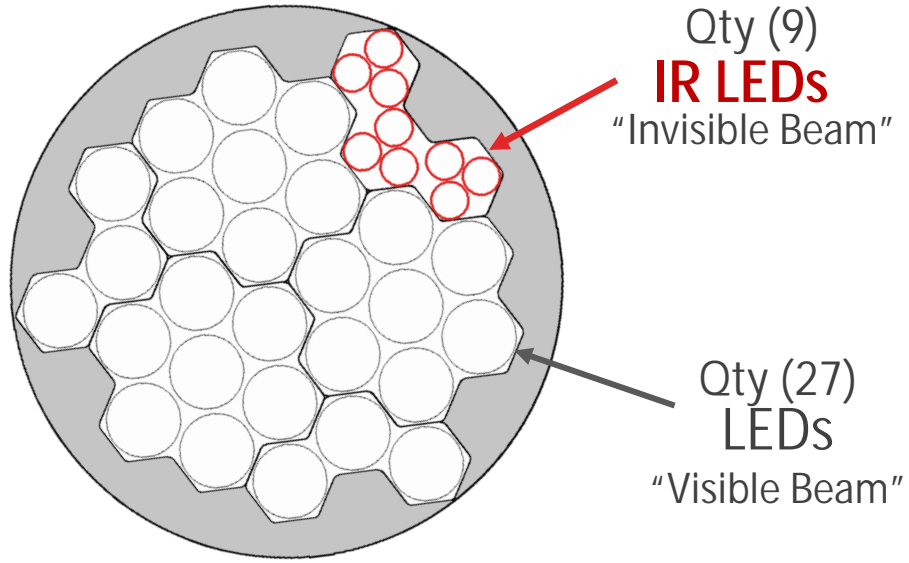
Imagine a passenger suddenly falls overboard on a marine vessel. Using the auxiliary LEDs for **“Search and Rescue”**, an operator can instantly direct a powerful “Wall of Light”, wider than a football field, anywhere around the vessel to save the person! This wide beam is also extremely effective for **“Vessel Interdiction”**, **“Docking”**, **“Seeing Workers at Night”**, **“Seeing near the base of a Guard Tower”**, etc.. This option provides short range wide beam illumination and long-range search capabilities, combined within one versatile product.



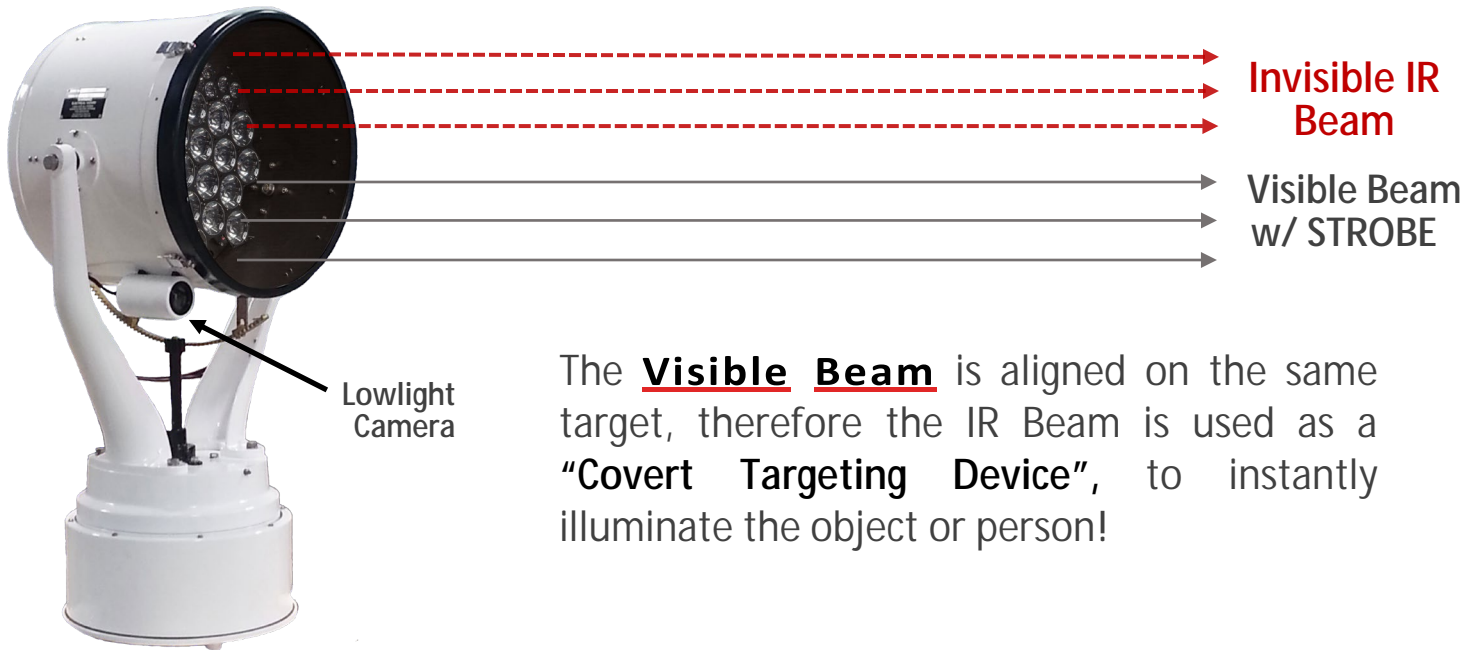
# Infrared (IR) LEDs provide built-in Night Vision

## NIGHT VISION CAPABILITY

An invisible beam, undetectable to the human eye, covertly lights up objects in total darkness, and they appear like daylight on a camera monitor. And greatly enhances Night Vision Goggles!

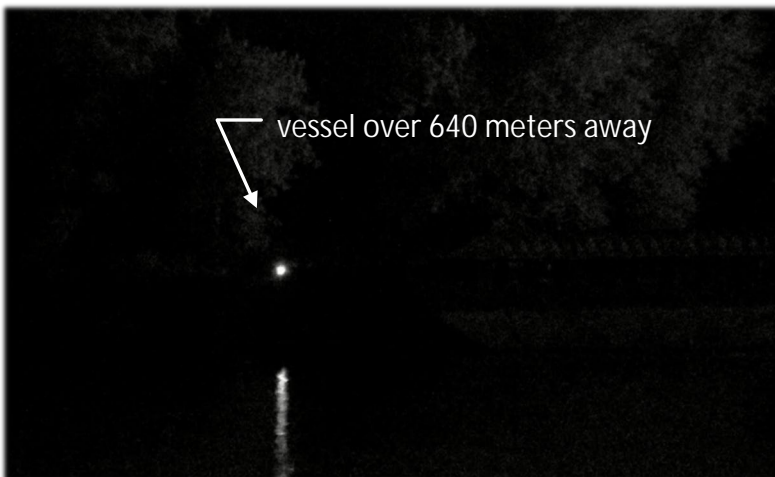


FRONT VIEW



The **Visible Beam** is aligned on the same target, therefore the IR Beam is used as a "Covert Targeting Device", to instantly illuminate the object or person!

## Night Scenes of Riverbank

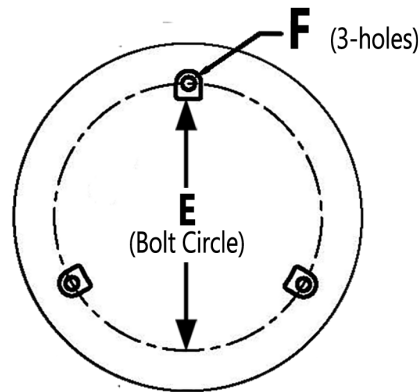
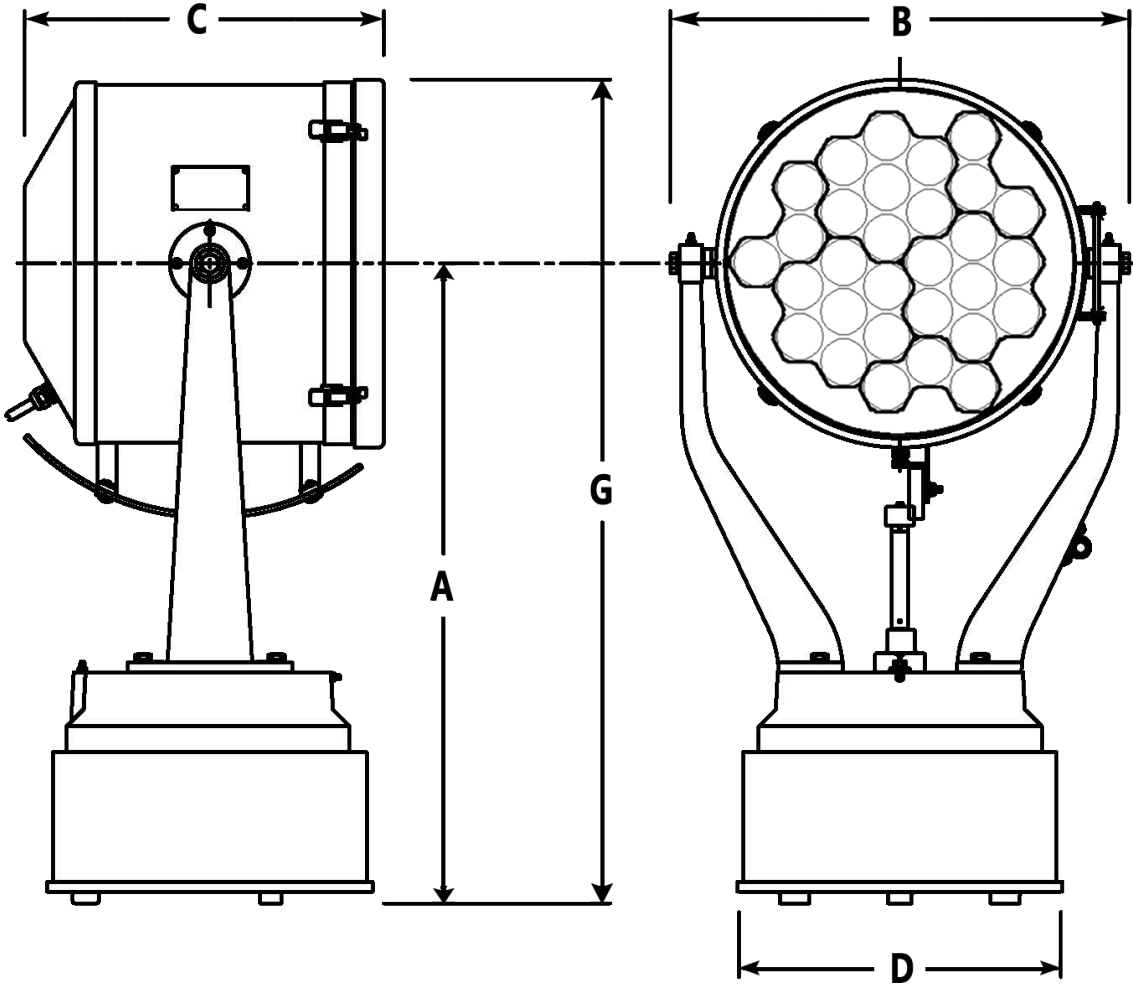


in Total Darkness



with (IR) Beam **ON!**

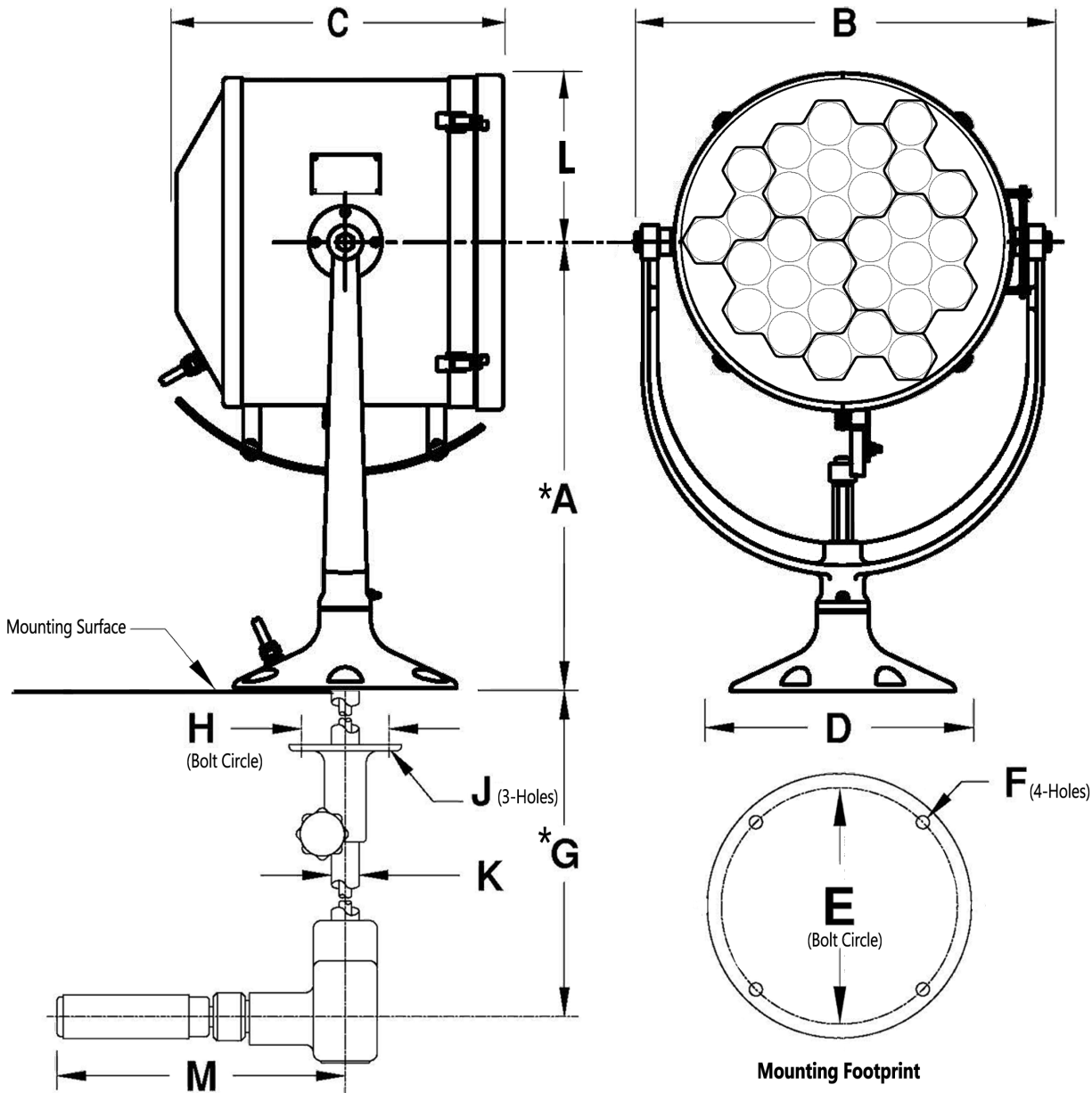
# Electric Joystick Control Dimensions



**Mounting Footprint**

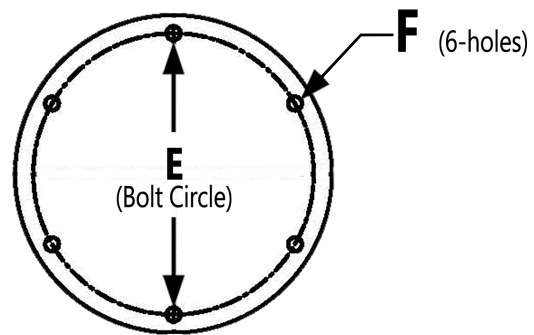
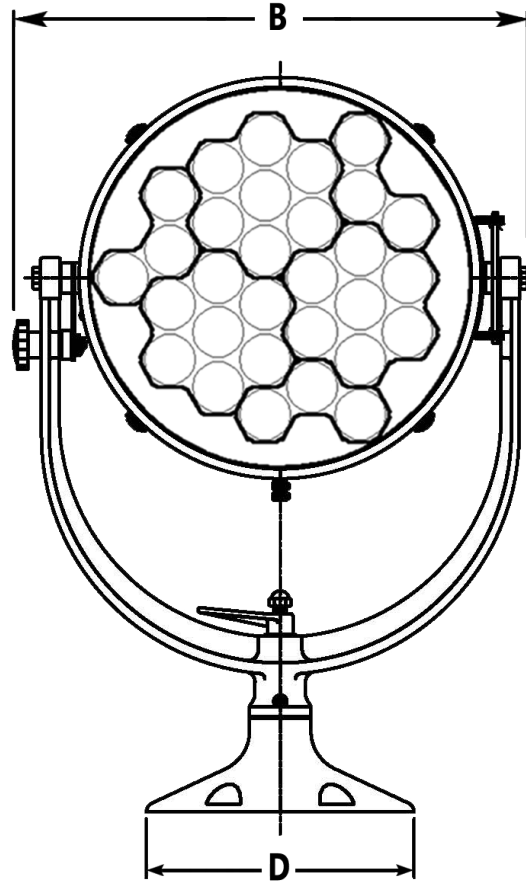
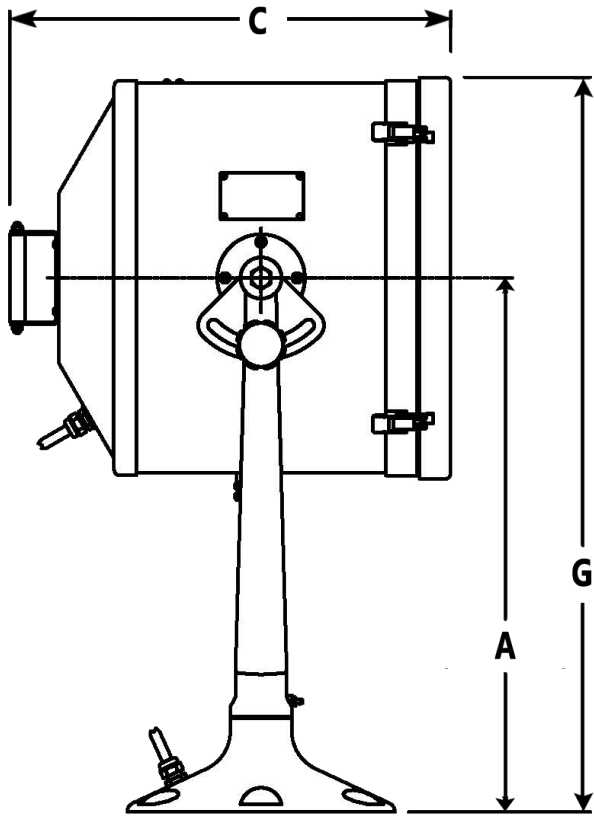
DIM	A	B	C	D	E	F	G
inches	33.88	25	19	Ø17.25	Ø13.25	Ø.562	43.62
mm	860	635	482	Ø438	Ø336	Ø14.275	1107

# Remote Lever-Gear Control Dimensions



DIM	*A	B	C	D	E	F	*G	H	J	K	L	M
inches	25.94	25	21.41	Ø13	Ø11.5	Ø.562	21.88	Ø3.38	.344	1.00	9.75	9.00
mm	658	635	54	Ø330	Ø292	Ø14	555	Ø85.85	8.74	25.40	247	229
Note:	Dimension "A" is the standard Searchlight Height, and Dimension "G" is the standard Control Length. These two dimensions can be custom. Consult Factory for exact customer requirements.											

# Local Handle Control Dimensions



Mounting Footprint

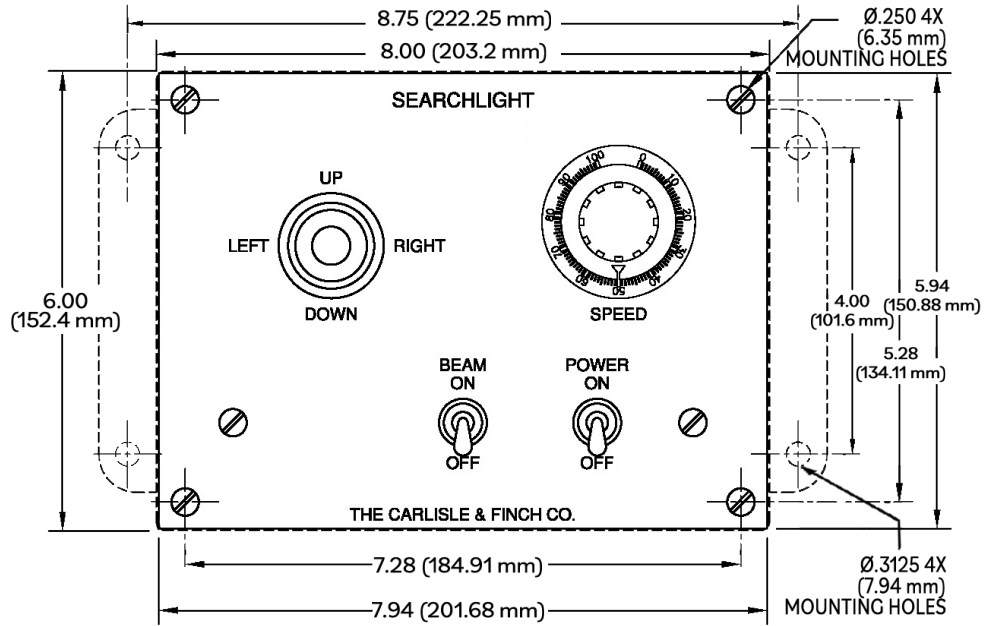
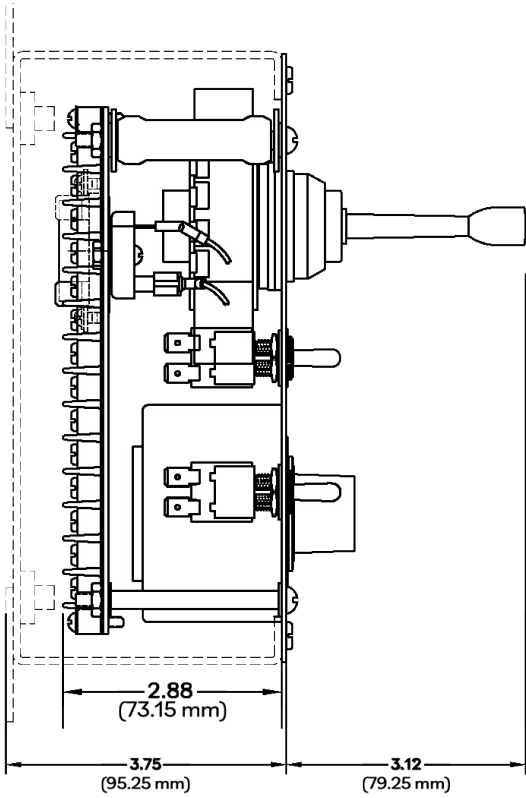
DIM	A	B	C	D	E	F	G
inches	25.94	25	21.41	Ø13	Ø11.5	Ø.562	35.69
mm	658	635	543	Ø330	Ø292	Ø14	906



# Controller Dimensions

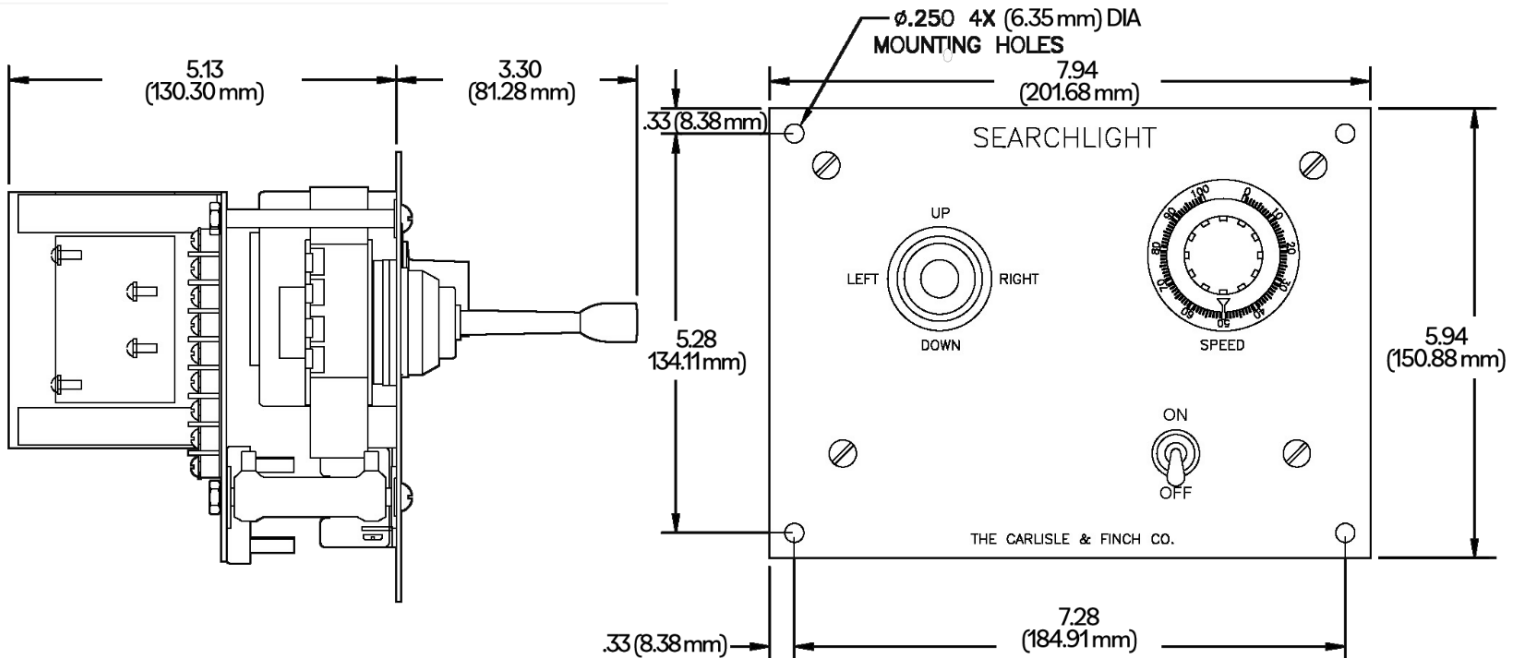
## Model C5777-S-2 Joystick Controller (115 VAC-only)

Includes 8-Way Switch (UP, DOWN, RIGHT, LEFT, and FOUR DIAGONAL POSITIONS), Beam-Speed Dial (Changes Speed throughout a continuous spectrum) and Visible Beam ON/OFF Switch.



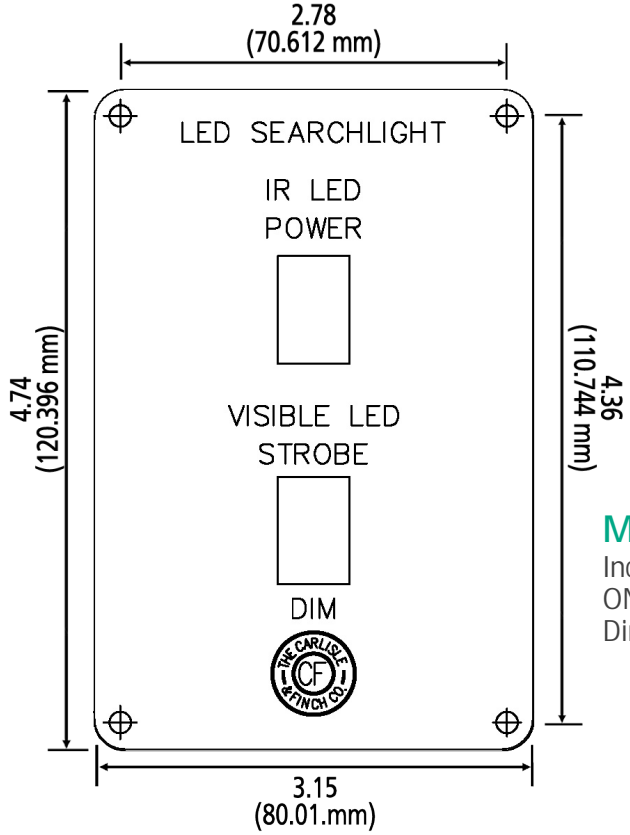
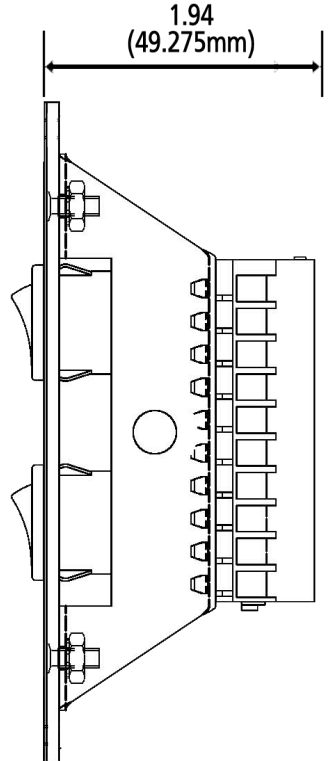
## Model C5777-S-230 Joystick Controller (230 VAC-only)

Includes 8-Way Switch (UP, DOWN, RIGHT, LEFT, and FOUR DIAGONAL POSITIONS), Beam-Speed Dial (Changes Speed throughout a continuous spectrum) and Visible Beam ON/OFF Switch.

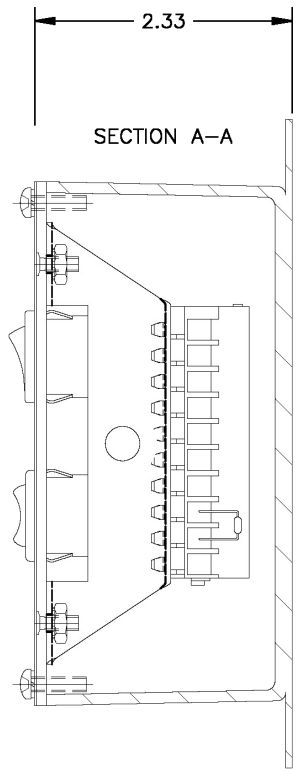
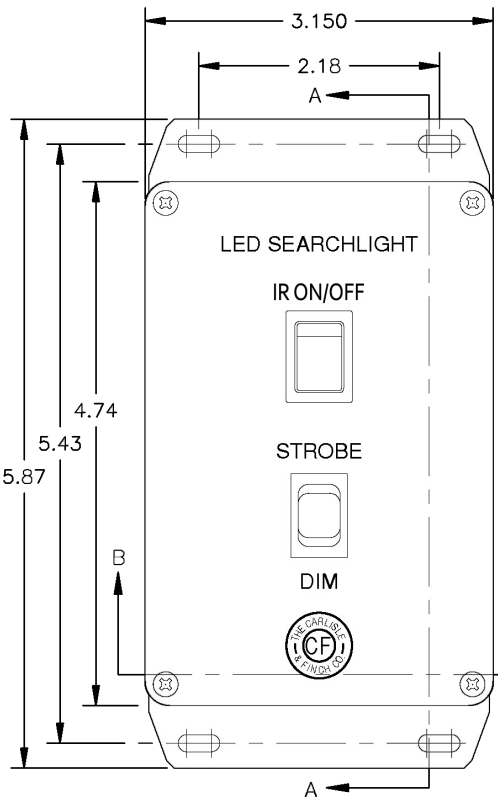




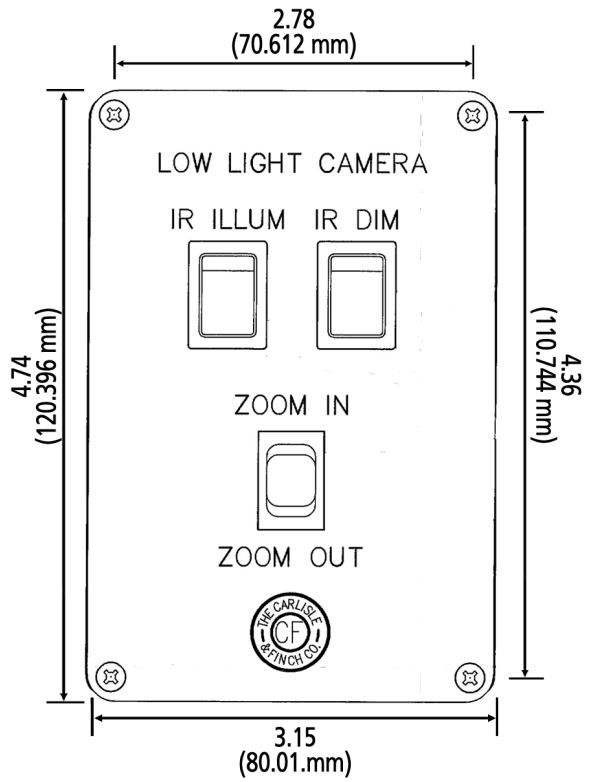
# Controller Dimensions



**Model C2-12IR Controller**  
Includes Infrared (IR) Beam ON/OFF Switch, Strobe Switch and Dimming Switch.



**C2-12 Controller**  
includes Beam ON/OFF, Strobe, and DIM switches



**C3-10 Controller**  
includes IR Beam ON/OFF/DIM and Zoom IN/OUT switches

