



# 12-inch / 305mm LED Searchlight

Eco-Friendly Product

Beam Intensity	
<b>3.5° Beam Option</b>	4 Million Candela 1 Lux at 2000 Meters (approx.)
<b>8.5° Beam Option</b>	1,050,000 Candela 1 Lux at 1024 Meters (approx.)
Color Temperature	6200K
Controls	Joystick Electric Control, Remote Lever-Gear Control and Local Handle Control
Environmental	IP56
LED Emitter Life	35,000+ Hours ( <i>tested</i> )
Light Energy	7000 Lumens
Material/Finish	Salt-resistant and Scratch-resistant Powder Coat (White, Black, Grey, and Custom), Polished Brass, or Chrome Finish
Modular Redundancy	Each pod has its own electronics, so if one fails, a bright beam is still projected (Pg.2)
Power Consumption	120 Watts
Voltages	12VDC, 24VDC, 110VAC – 277VAC

## OPTIONS

Anti-icing Heater	Thermostatically-controlled heater prevents ice build-up in cold climates (motorized base-only)
Azimuth Indicator	LCD Panel displays horizontal aiming position in degrees (motorized base-only)
High Powered Strobe	Denies night vision and disorients intruder while transforming the searchlight into a Nonlethal Weapon
Morse Code	Signaling capability for Military/Government
Infrared Night Vision	Infrared (IR) LEDs project Invisible beam to human eye, but used covertly with Lowligh Cameras/NVG's (Pg.4)
SmartVIEW™ Control	Control System provides Digital BUS Network, and TCP/IP Interface allows Remote Computer Control. Protocols supported: ONVIF, Pelco-D, NMEA 0183 and Carlisle & Finch's own Protocol
Wall of Light LEDs	Extremely wide beam at short range, illuminates areas where the narrower beam cannot service (Pg.3)



Joystick Electric Control



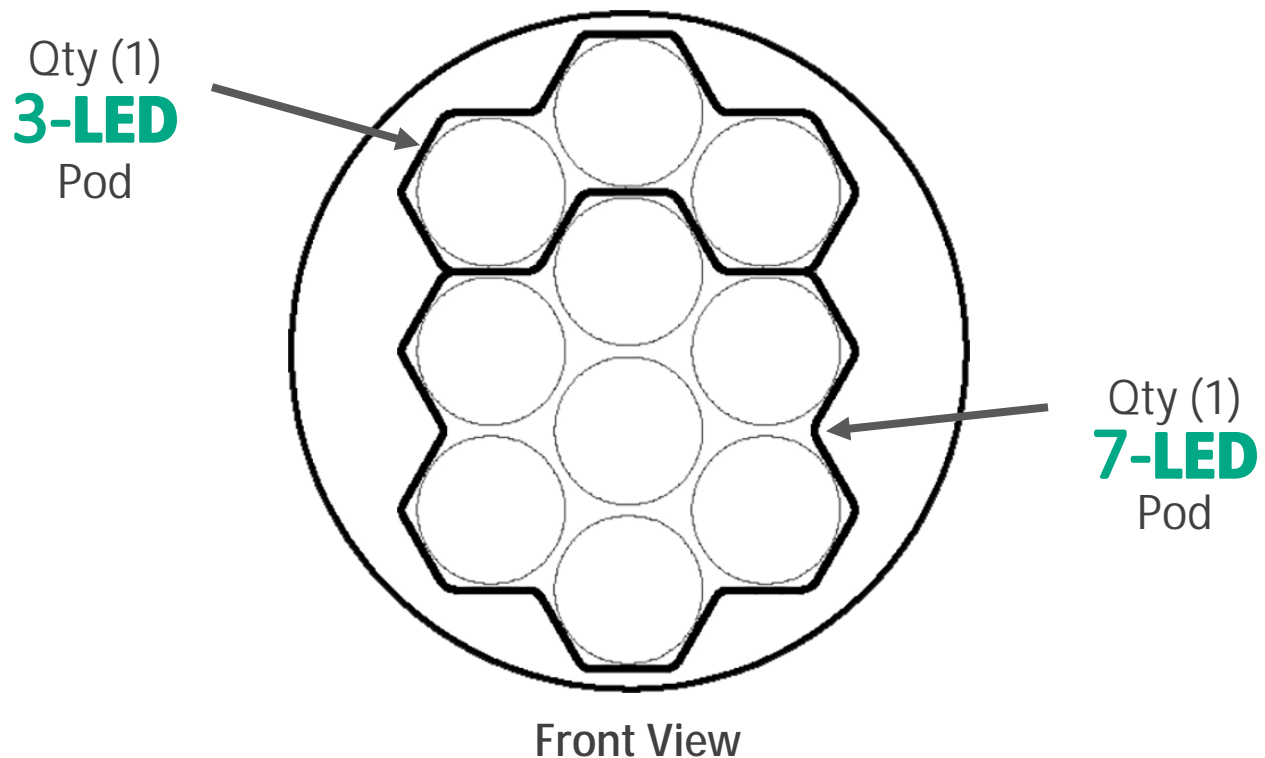
Remote  
Lever-Gear  
Control



Local Handle  
Control

*Lighting the way forward since 1894*

## ***Redundancy and Extreme Long-life provides much higher reliability than Halogen Searchlights!***

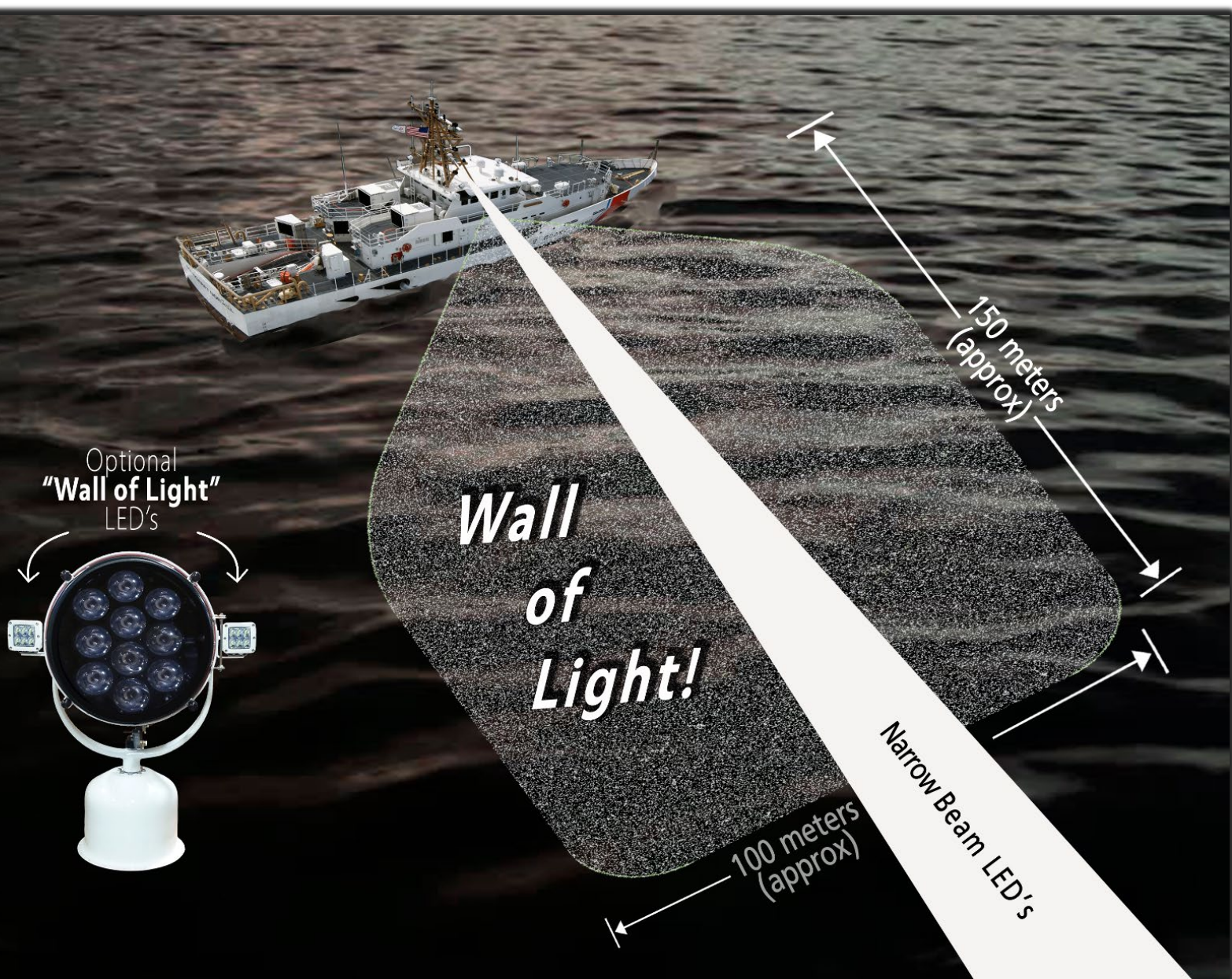


- § **Multiple LED Redundancy:** There are 10 Individual LEDs (i.e., light sources.) If one fails, there are 9 more producing a bright beam.
- § **Multiple Pod Redundancy:** Each searchlight has two pods. Unique to C&F, each pod has its own separate electronics. If a board happens to fail, the “second pod” produces a bright beam in back-up mode.
- § **Long Emitter-Life:** When the lamp fails on traditional Halogen searchlights, the entire searchlight fails. Lamp-life is approx. 250 hours for the most popular industry standard lamps. Since the LEDs will last 35,000+ hours (*tested*), there are approximately 80 Halogen searchlight failures for every LED searchlight due to lamp-life alone (i.e.,  $35,000 \div 250 = 140$  failures.)

# *The Wall of Light!*

*“Auxiliary LEDs illuminate wide areas at close range where the narrower beam cannot service”*

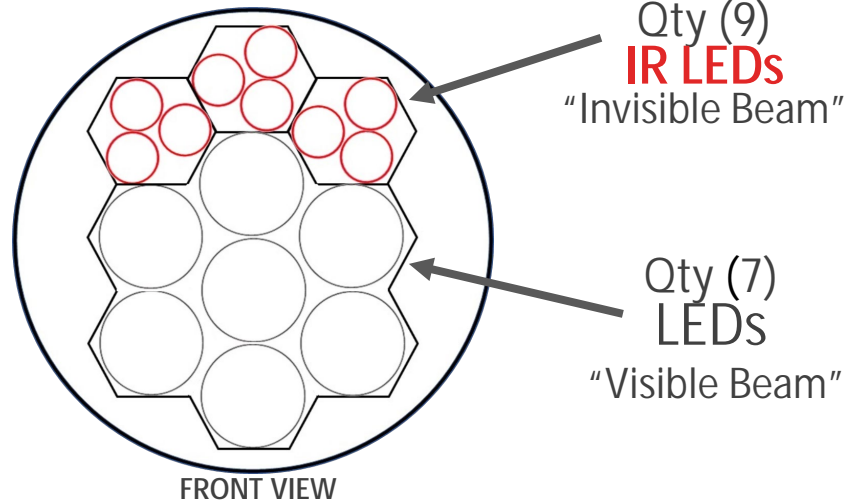
Imagine a passenger suddenly falls overboard on a marine vessel. Using the auxiliary LEDs for **“Search and Rescue”**, an operator can instantly direct a powerful **“Wall of Light”**, wider than a football field, anywhere around the vessel to save the person! This wide beam is also extremely effective for **“Vessel Interdiction”**, **“Docking”**, **“Seeing Workers at Night”**, **“Seeing near the base of a Guard Tower”**, etc. This option provides short range wide-beam illumination and long-range search capabilities, combined within one versatile product.



# Infrared (IR) LEDs provide built-in Night Vision

## NIGHT VISION CAPABILITY!

An invisible beam, undetectable to the human eye, covertly lights up objects in total darkness, and they appear like daylight on a camera monitor. And greatly enhances Night Vision Goggles!

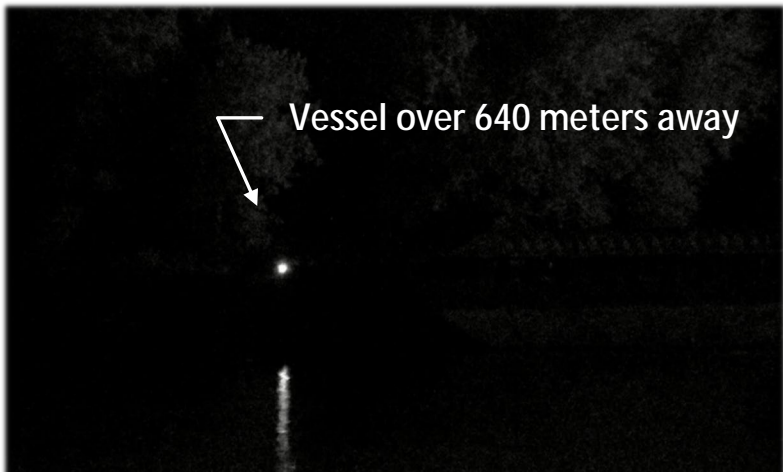


Lowlight Camera



The **Visible Beam** is aligned on the same target, therefore the IR Beam is used as a "Covert Targeting Device", to instantly and accurately illuminate the object!

## Night Scenes on Riverbank

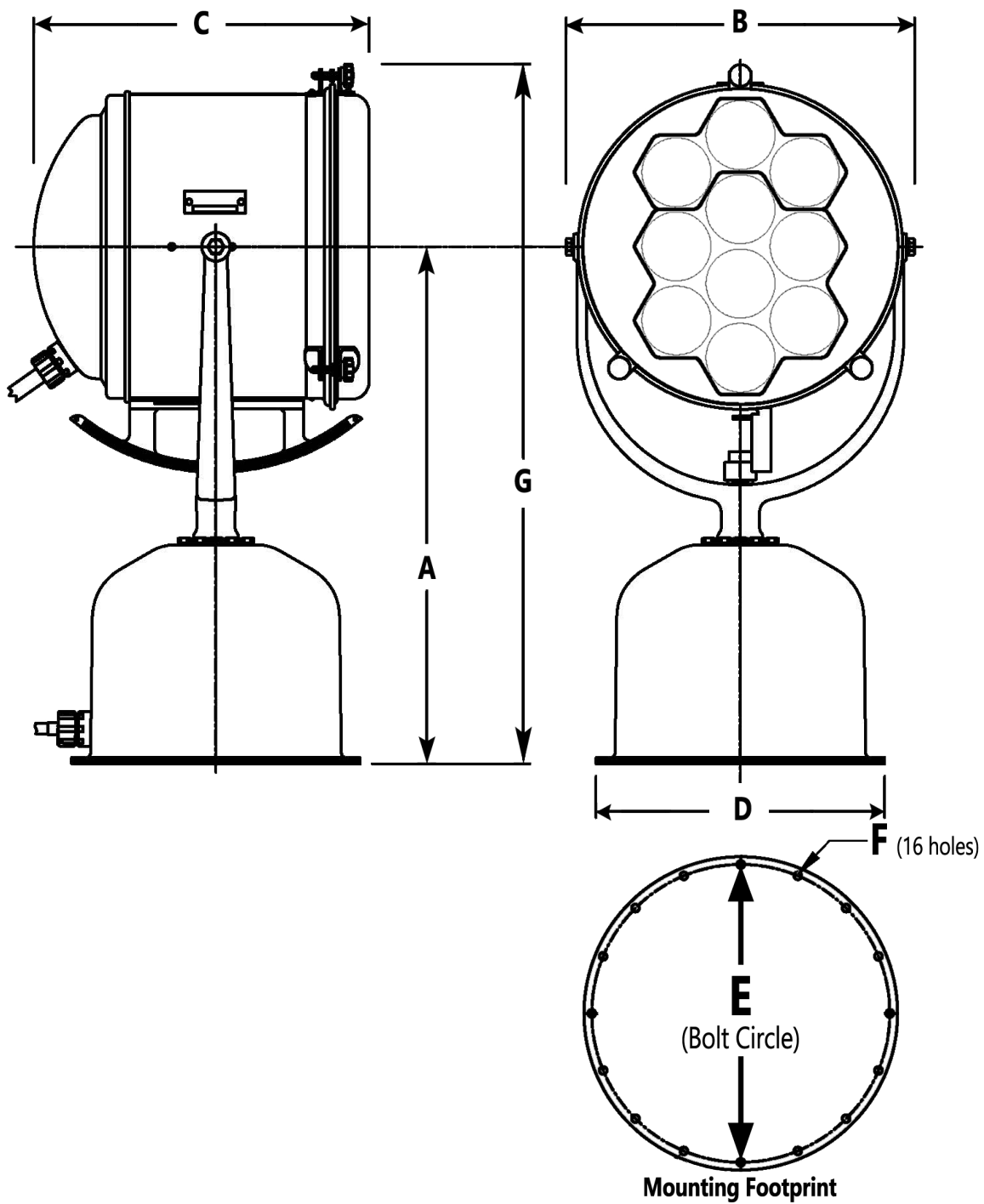


in Total Darkness



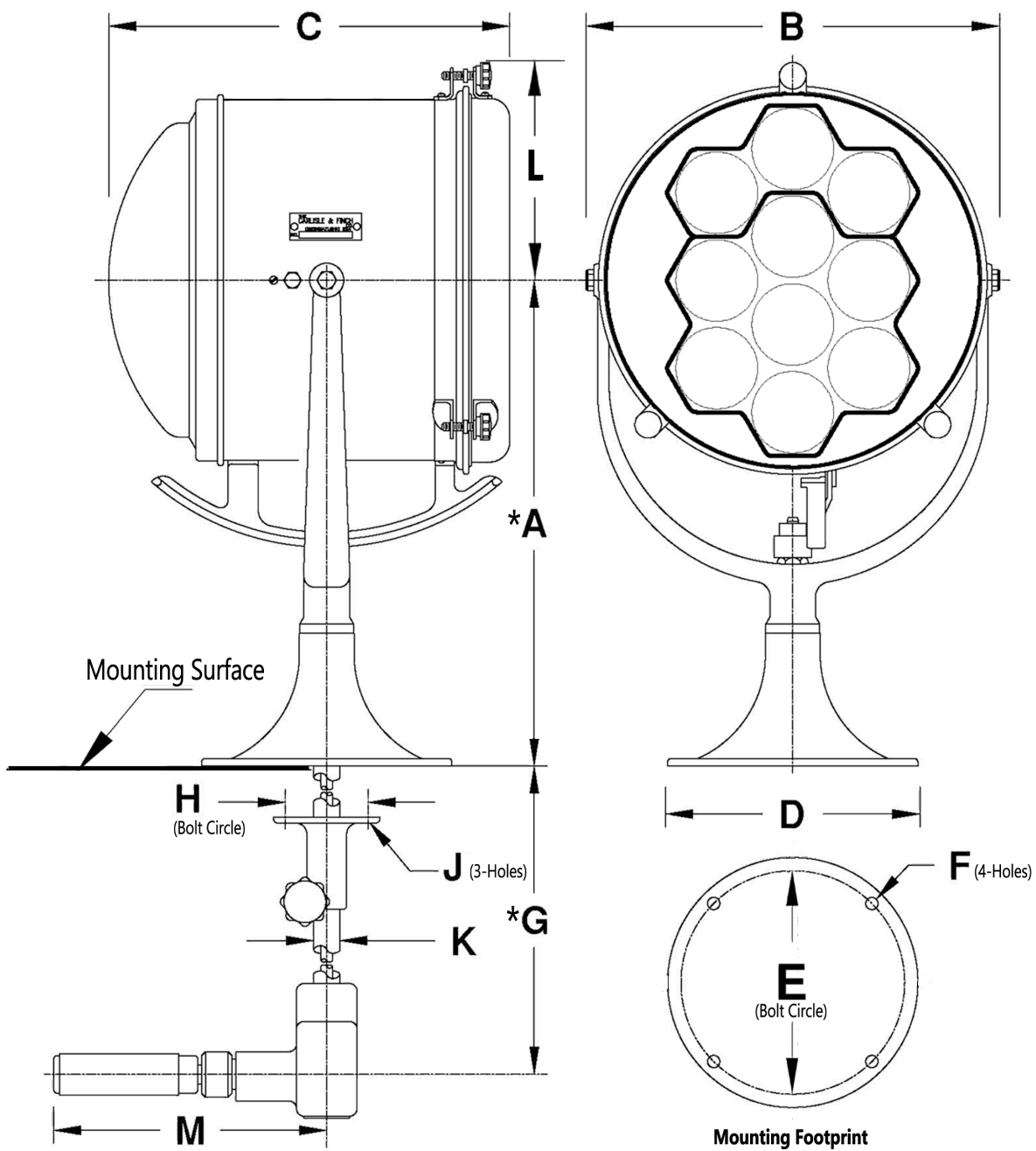
with (IR) Beam **ON!**

# Joystick Electric Control Dimensions



DIM	A	B	C	D	E	F	G
inches	20.25	13.75	13.25	Ø11.38	Ø10.81	Ø.281	27.56
mm	514	349	336	Ø289	Ø274	Ø7.137	700

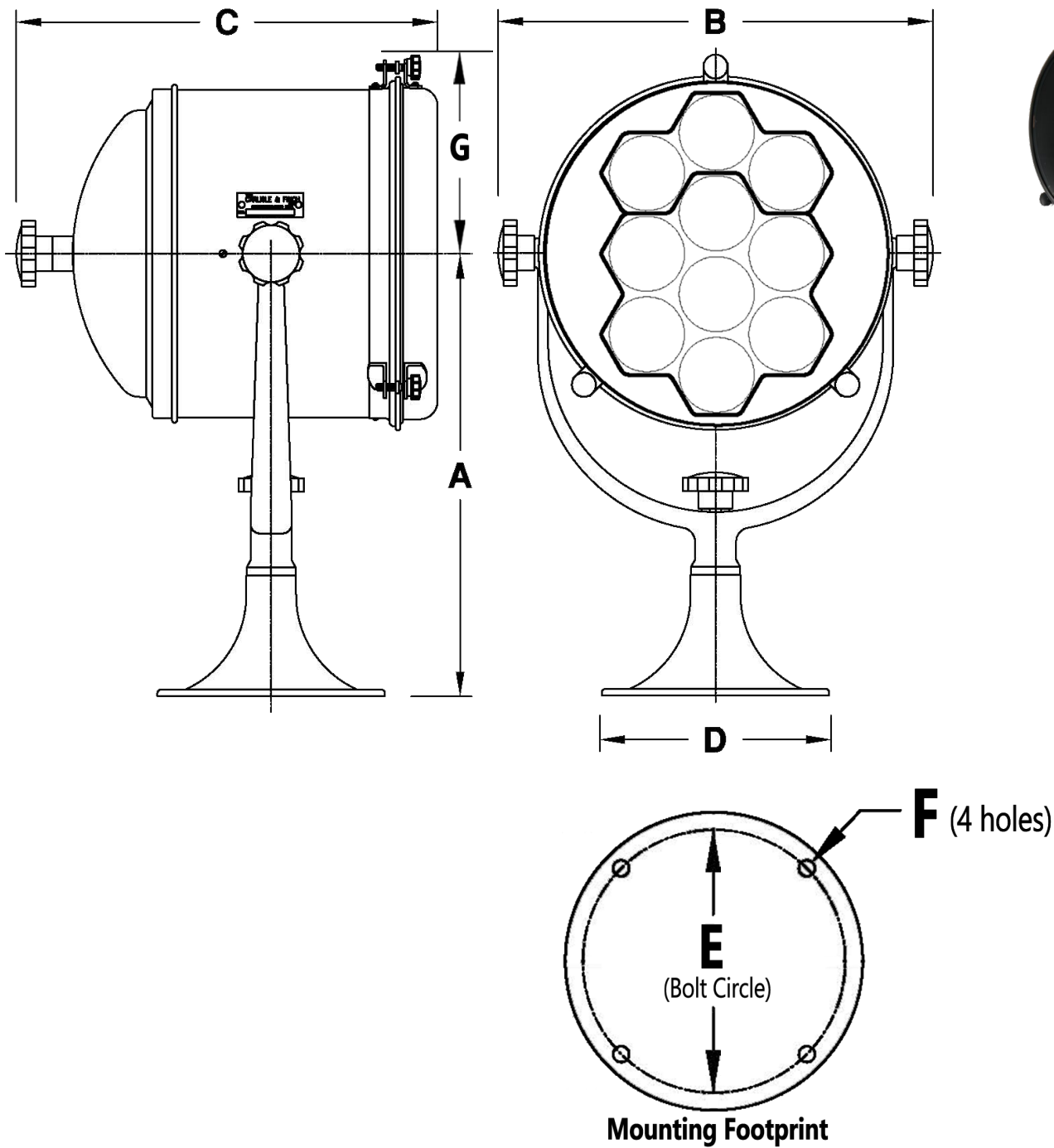
# Remote Lever-Gear Control Dimensions



DIM	*A	B	C	D	E	F	*G	H	J	K	L	M
inches	15.94	13.5	13.25	Ø8.25	Ø7.38	Ø.41	10.88	Ø2.75	Ø.28	Ø.88	7.28	9.00
mm	405	343	337	Ø210	Ø187	Ø10	276	Ø70	Ø7	Ø22	184	229

Note: Dimension "A" is the standard Searchlight Height, and Dimension "G" is the standard Control Length. These two dimensions can be custom. Consult Factory for exact customer requirements.

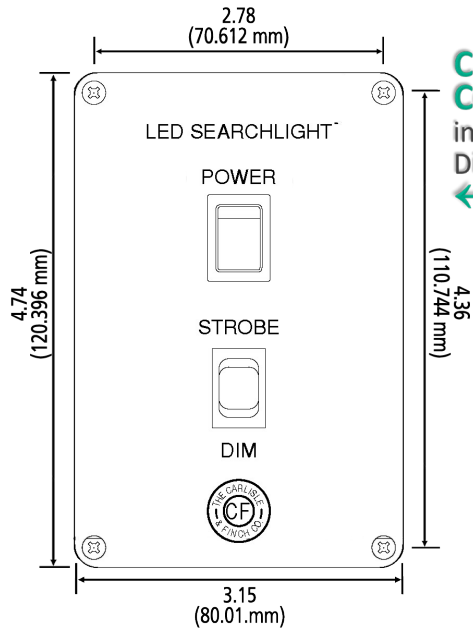
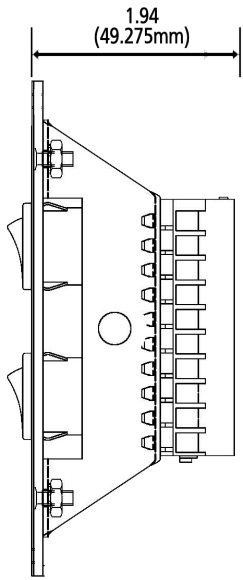
## Local Handle Control Dimensions



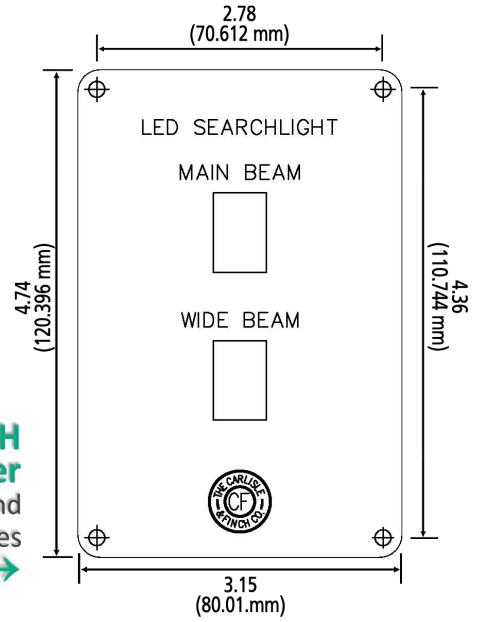
DIM	A	B	C	D	E	F	G
inches	15.94	15.62	15.50	Ø8.25	Ø7.38	Ø.41	7.28
mm	405	397	394	Ø210	Ø188	Ø11	184



# Controller Dimensions



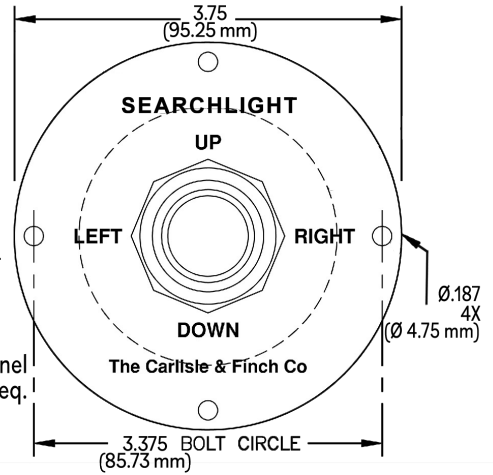
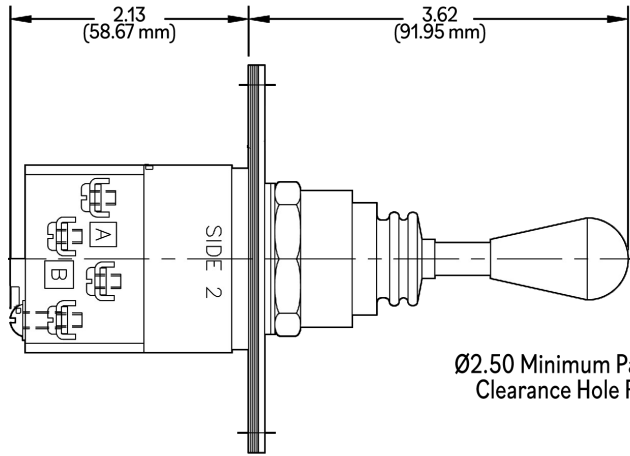
**C2-12 Controller**  
includes Beam ON/OFF, Dim and Strobe Switches



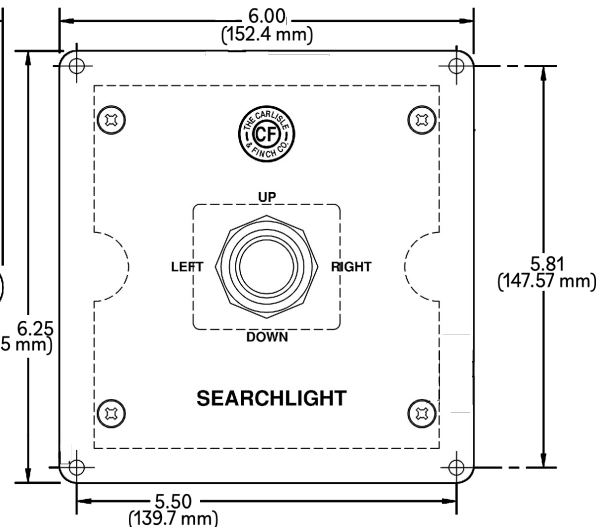
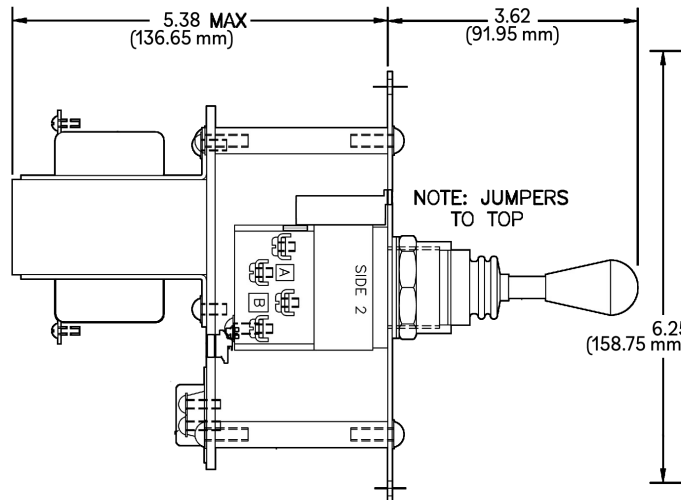
**C2-13-DCH Controller**  
includes Beam ON/OFF and Wide Beam Switches



**C8160 Joystick Controller**  
provides UP, DOWN, RIGHT and LEFT Aiming and Dynamic Breaking (115 VAC-only)



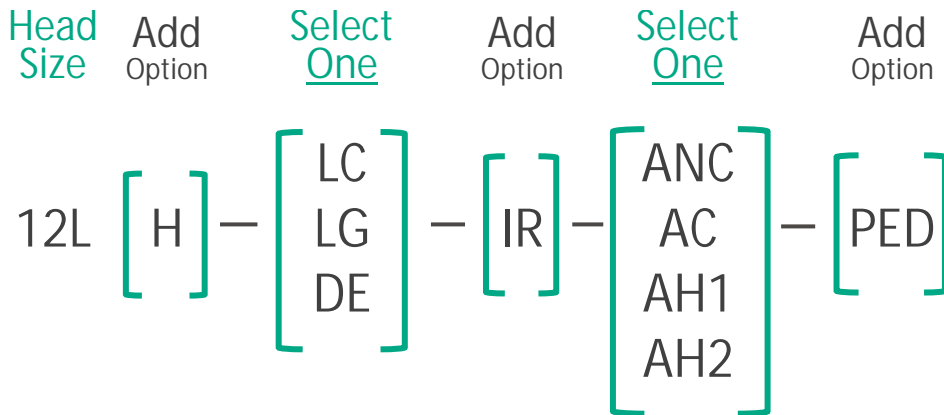
**C8160-230 Joystick Controller**  
provides UP, DOWN, RIGHT and LEFT Aiming and Dynamic Breaking (230VAC-only)





# How to specify Searchlight

## Model Number



<b>H</b>	"Wall of Light" LEDs <i>Option</i>	<b>IR</b>	Night Vision Infrared LEDs <i>Option</i>	<b>PED</b>	Tall Pedestal Base <i>Option</i> n Manual Control Only n Consult Factory
<b>LC</b>	Local Handle Control	<b>ANC</b>	115/230 VAC (no Strobe/DIM)		
<b>LG</b>	Remote Lever Gear	<b>AC</b>	115/230 VAC (with Strobe/DIM)		
<b>DE</b>	Joystick Electric Control	<b>AH1</b>	115 VAC (with Anti-Icing Heaters)		
		<b>AH2</b>	230 VAC (with Anti-Icing Heaters)		

Note: To specify Searchlight Model Number, go to top of page and insert letters from left to right as applicable.

### Example #1

Model Number: 12L-LG-ANC-PED

12-inch (305mm) diameter, Remote Lever-Gear Control, 115 VAC and Tall Pedestal option

### Example #2

Model Number: 12L-DE-AH2

12-inch (305mm) diameter, Joystick Electric Control, 230 VAC and Anti-Icing Heaters