



# LED Windfarm Searchlight

Eco-Friendly Product



**WINDSERVE ODYSSEY**  
Multipurpose Offshore Support Vessel

Windfarm features include extended vertical range to point “straight up” to illuminate Turbine, and LED pods on each side provide a 100 meter wide beam at short range, to illuminate critical work areas on Turbine platform.

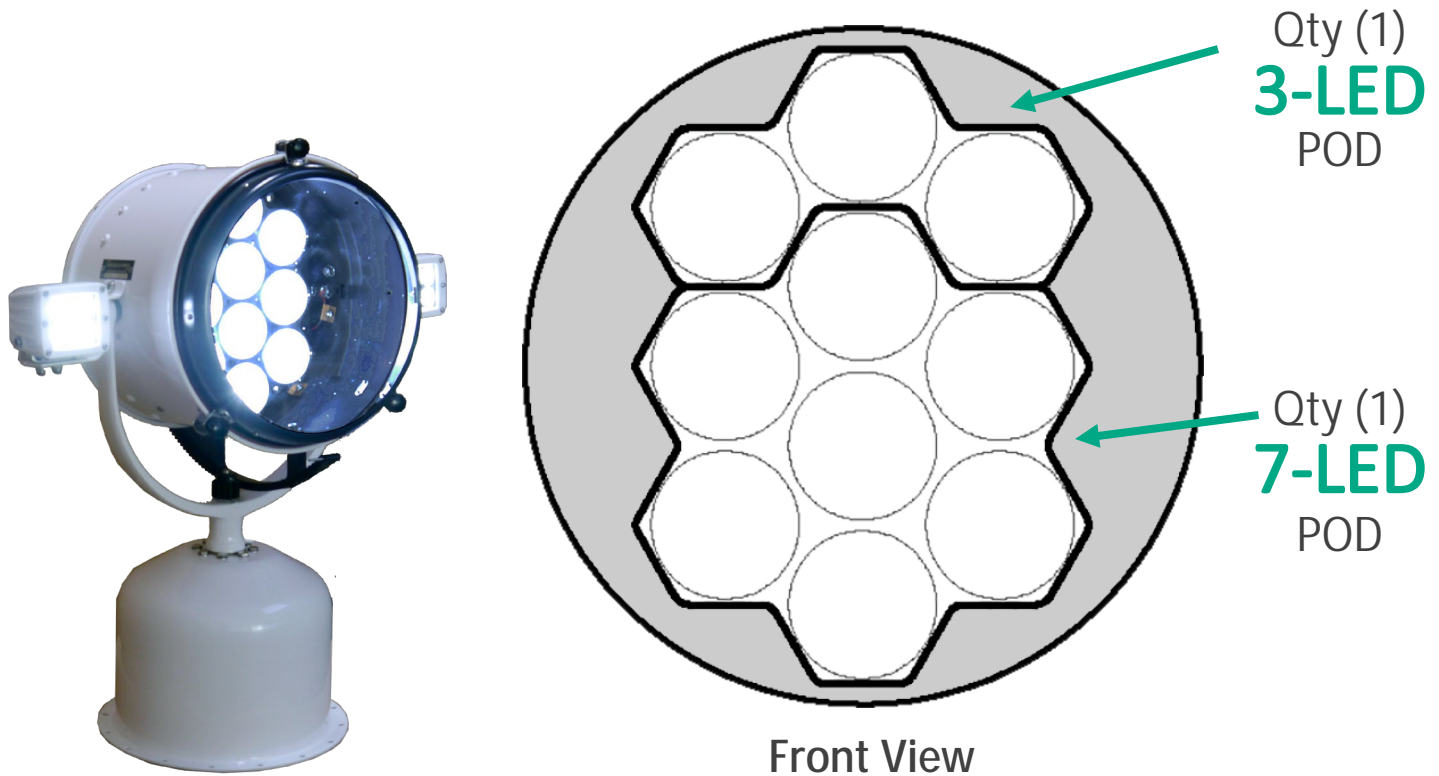
Beam Intensity	4 Million Candlepower (candela)
Distance Serviced	1 Lux at 2000 Meters (approx.)
Wide Beam Pattern	100 Meters Wide x 150 Meters Long (see p.3)
Power Consumption	
§ Main Beam	120 Watts
§ Wide Beam	100 Watts
Color Temperature	6200K
Voltages	24VDC (Wide Beam), 115 or 230 VAC (Main Beam)
Controls	Joystick Electric Control
Environmental	IP56
LED Emitter Life	35,000+ Hours ( <i>tested</i> )
Light Energy	7000 Lumens
Materials/Finish	Brass and stainless steel with salt-resistant, scratch-resistant powder coat
Modular Redundancy	Each pod has its own electronic board (Pg.2)
Anti-icing Heater	<i>Optional</i> feature to prevent ice build-up in cold climates

**Straight Up**



*Lighting the way forward since 1894*

## *Redundancy and Extreme Long-life provides much higher reliability than Halogen Searchlights!*



- § **Multiple LED Redundancy:** There are 10 Individual LEDs (i.e., light sources.) If one fails, there are 9 more producing a bright beam.
- § **Multiple POD Redundancy:** Each searchlight has two PODs. Unique to C&F, each POD has its own separate electronics. If a board fails, the “Second POD” produces a bright beam in back-up mode.
- § **Long Emitter-Life:** When the lamp fails on traditional Halogen searchlights, the entire searchlight fails. Lamp-life is approx. 250 hours for the most popular industry standard lamps. Since the LEDs will last 3 5,000+ hours (*tested*), there are approximately 80 Halogen searchlight failures for every LED searchlight due to lamp-life alone (i.e.,  $35,000 \div 250 = 140$  failures.)

# *The Wall of Light!*

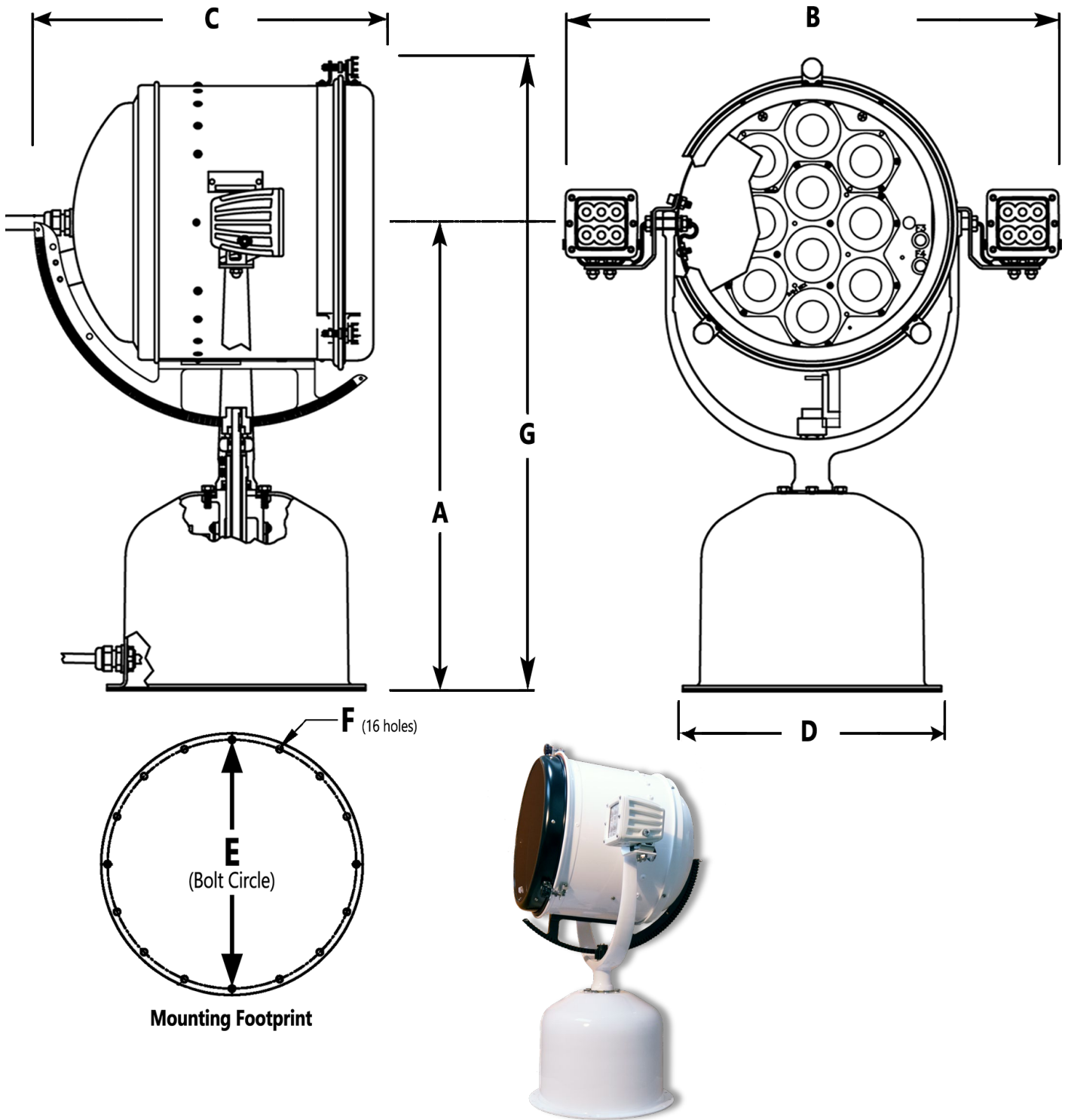
*“Auxiliary LEDs illuminate wide areas at close range where the narrower beam cannot service”*

Imagine a passenger suddenly falls overboard. Using the auxiliary LEDs for **“Search and Rescue”**, an operator can instantly direct a powerful “Wall of Light”, wider than a football field, anywhere around the vessel to save the person! This wide beam is also extremely effective for **“Illuminating the Wind Turbine”**, **“Seeing Workers at Night”**, **“Docking”** etc. This option provides short range wide-beam illumination and long-range search capabilities, combined within one versatile product.

**C&F LED**  
Wind Farm Searchlight



# 12-inch LED Dimensions in inches (mm)



DIM	A	B	C	D	E	F	G
inches	20.25	21.88	14.92	Ø11.38	Ø10.81	Ø.281	27.56
mm	514	556	379	Ø289	Ø274	Ø7.137	700

## Specify Model Numbers:

### 115VAC System

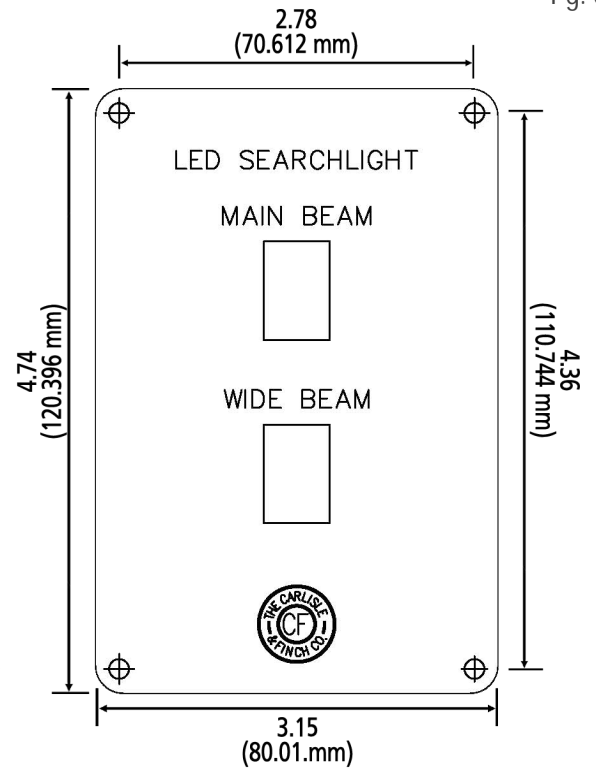
§ Model 12LNW-DE-ANC Searchlight,  
C2-13-DCH Controller and C8160 Joystick

### 230VAC System

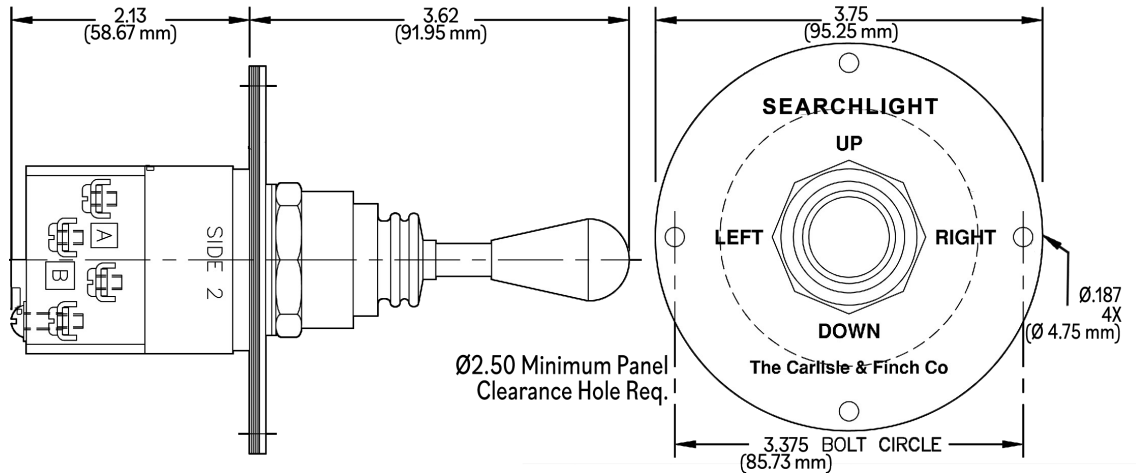
§ Model 12LNW-DE-ANC Searchlight,  
C2-13-DCH Controller and C8160-230 Joystick

### C2-13-DCH Controller

includes Main Beam and Wide Beam Switches



**C8160 Joystick Controller**  
provides UP, DOWN, RIGHT and LEFT Aiming and Dynamic Breaking (115 VAC-only)



**C8160-230 Joystick Controller**  
provides UP, DOWN, RIGHT and LEFT Aiming and Dynamic Breaking (230VAC-only)

