



10-inch / 254mm LED Searchlight

Eco-Friendly Product

Beam Intensity

3.5° Beam Option 2,450,000 Candela
1 Lux at 1565 Meters (approx.)

8.5° Beam Option 741,000 Candela
1 Lux at 860 Meters (approx.)

Color Temperature

6200K

Controls

Joystick Electric Control, Remote Lever-Gear Control, or Local Handle Control

Environmental

IP56

Finish

Anti-corrosive and salt-resistant Powder Coat (White, Black, Grey, and Custom). Polished Brass or Chrome Finish upon request.

LED Emitter Life

35,000+ Hours (*tested in a system*)

Light Energy

4300 Lumens

Power Consumption

85 Watts

Voltages

12VDC, 24VDC, 110-277VAC

OPTIONS

Anti-icing Heater

Thermostatically-controlled heaters in the Base. (motorized base-only)

Azimuth Indicator

Console Panel displays horizontal aiming position (motorized base-only)

High Powered Strobe

Denies night vision and disorients intruder while transforming searchlight into a Nonlethal Weapon

Morse Code

Signaling capability for Military/Government

SmartVIEW™

Control System provides Digital BUS Network, and TCP/IP Interface allows Remote Computer Control. Supported Protocols: ONVIF, Pelco-D, NMEA 0183, Carlisle & Finch's Protocol and TimeZero.



Joystick Electric Control



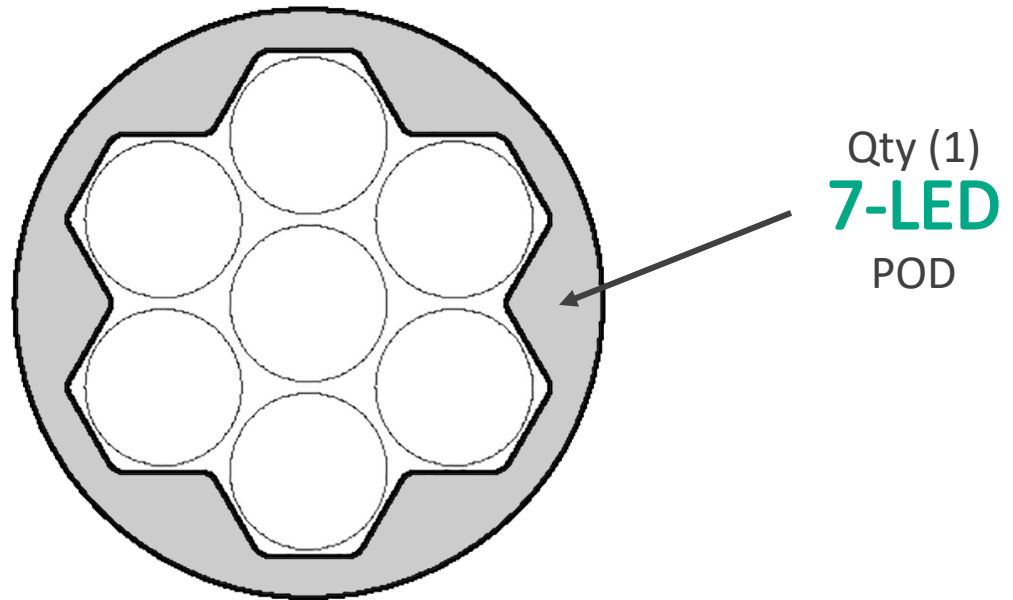
Remote Lever-Gear Control



Local Handle Control

Lighting the way forward since 1894

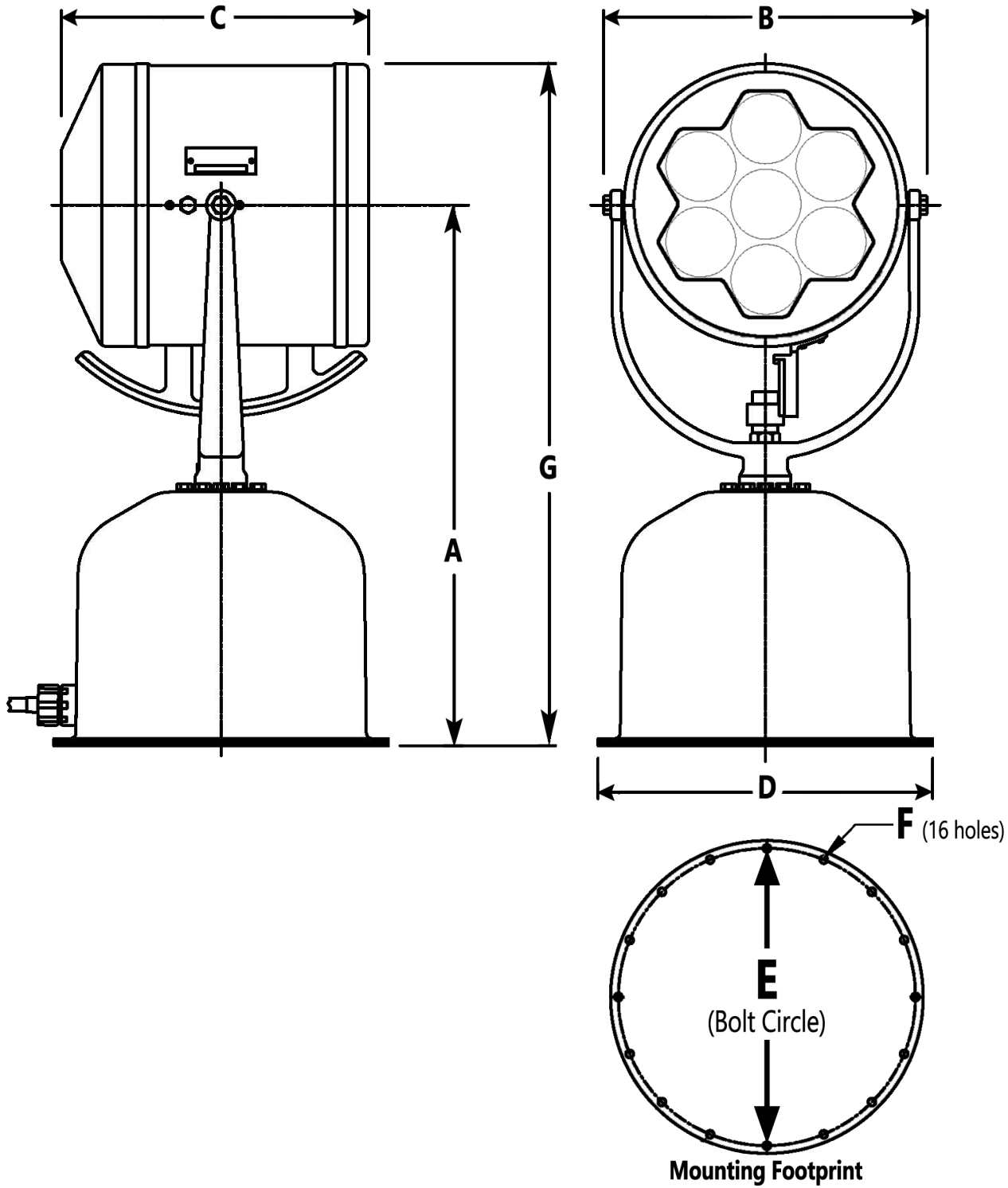
Redundancy and Extremely Long-life provides much higher reliability than Halogen Searchlights!



Front View

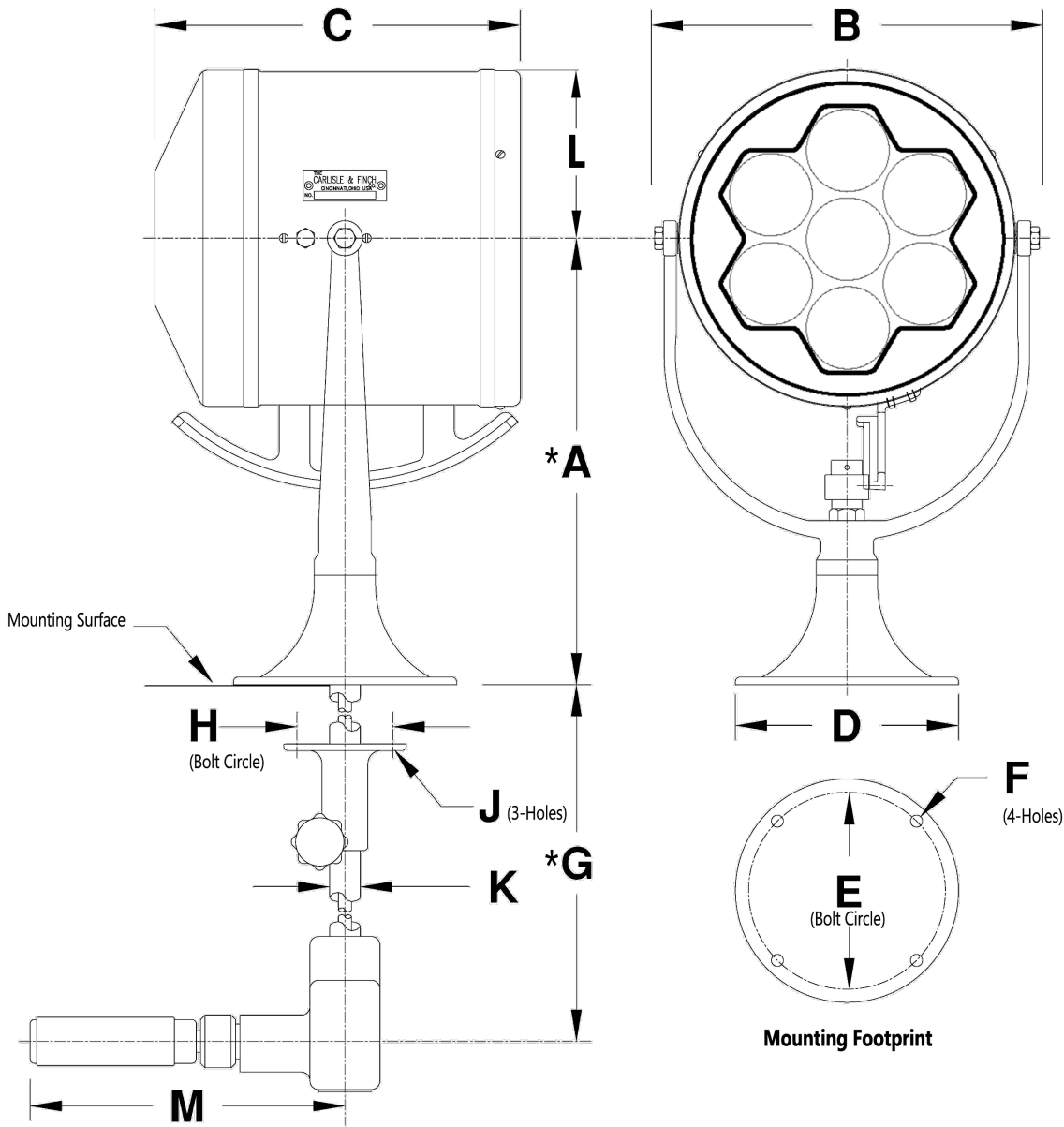
- **Multiple LED Redundancy:** There are 7 Individual LEDs (i.e., light sources.) If one fails, there are 6 more producing a bright beam.
- **Long Emitter Life:** When the lamp fails on traditional Halogen searchlights, the entire searchlight fails. Lamp-life is approx. 250 hours for the most popular industry standard lamps. Since the LEDs will last 35,000+ hours (tested as a system), there are approximately 140 Halogen searchlight failures for every LED searchlight due to lamp-life alone (i.e., $35,000 \div 250 = 140$ failures.)

Electric Joystick Control Dimensions



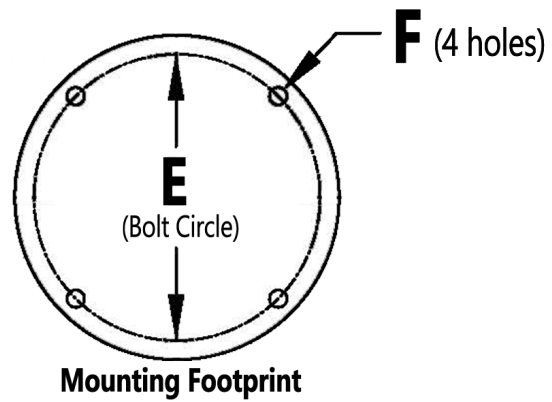
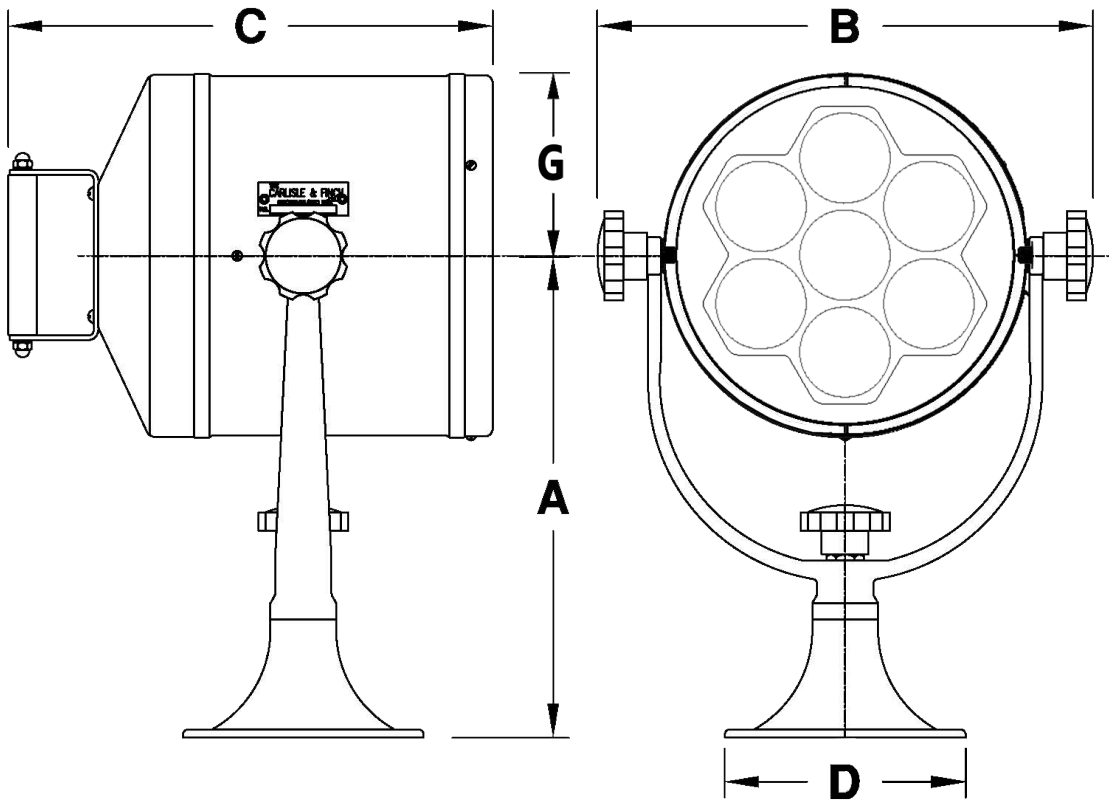
DIM	A	B	C	D	E	F	G
inches	18.19	11.00	10.44	Ø11.38	Ø10.81	Ø.281	23.19
mm	462	279	265	Ø289	Ø274	Ø7.137	589

Remote Lever-Gear Control Dimensions



DIM	*A	B	C	D	E	F	*G	H	J	K	L	M
inches	12.75	11.00	10.00	Ø6.38	Ø5.62	Ø.34	11.38	Ø2.75	Ø.28	Ø.88	4.81	9.00
mm	324	279	254	Ø162	Ø143	Ø9.00	289	Ø70	Ø7.00	Ø22	122	229
Note:	Dimension "A" is the standard Searchlight Height, and Dimension "G" is the standard Control Length. These two dimensions can be custom. Consult Factory for exact customer requirements.											

Local Handle Control Dimensions



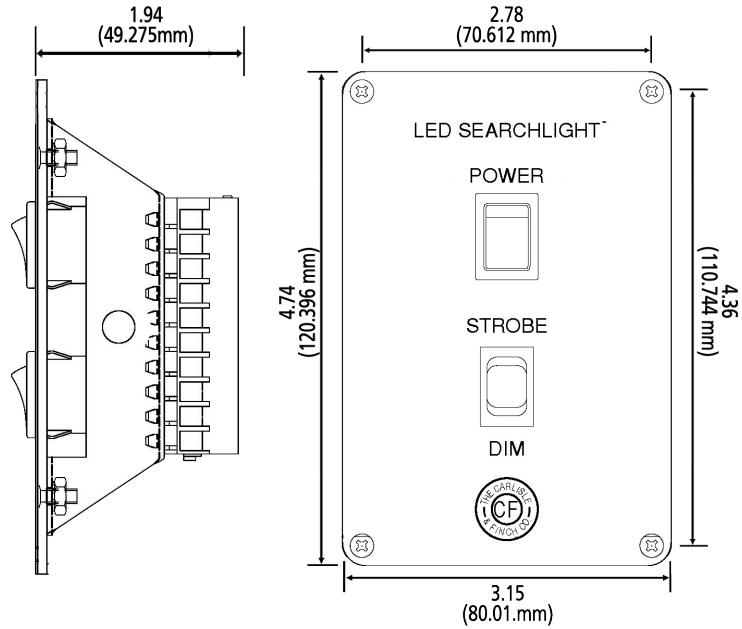
DIM	A	B	C	D	E	F	G
inches	12.75	13.12	12.00	Ø6.38	Ø5.62	Ø.34	4.81
mm	324	334	305	Ø162	Ø143	Ø9	122



Controller Dimensions

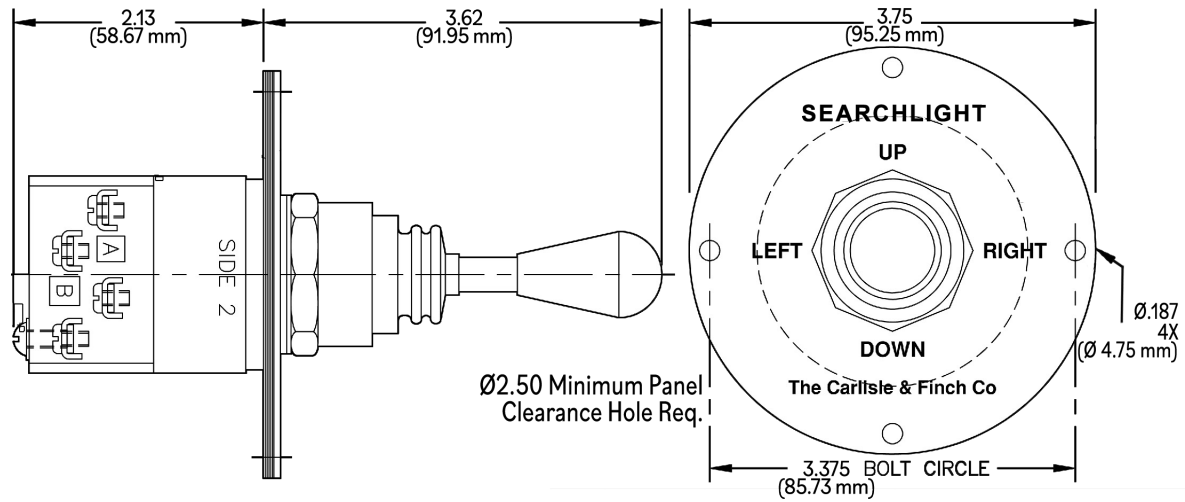
C2-12 Controller

includes Beam ON/OFF, Dim and Strobe Switches



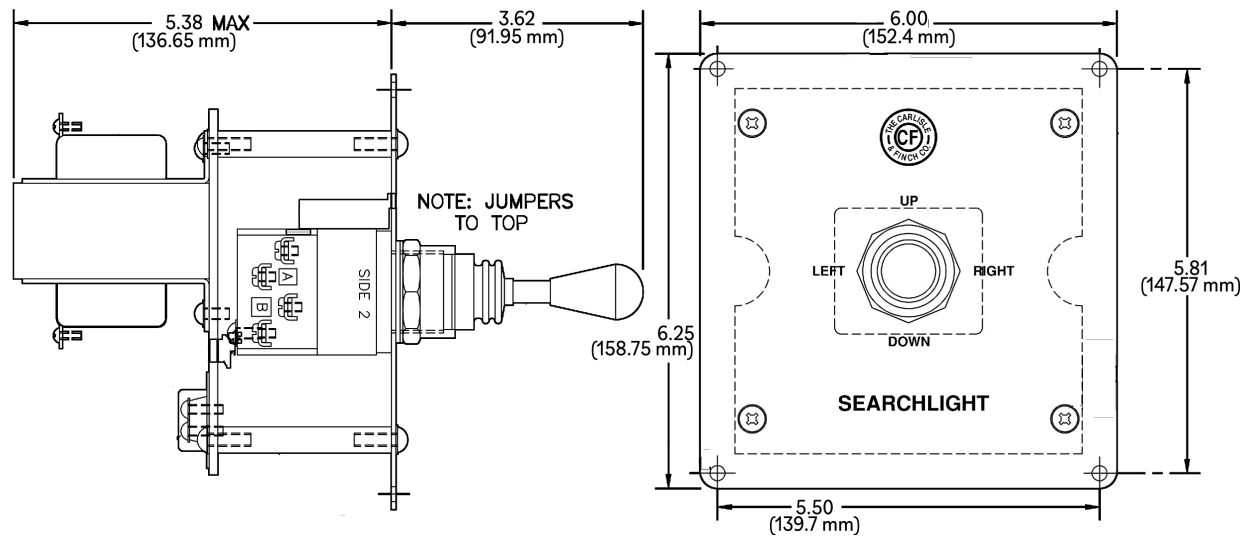
C8160 Joystick Controller

provides UP, DOWN, RIGHT and LEFT Aiming and Dynamic Braking (115 VAC-only)



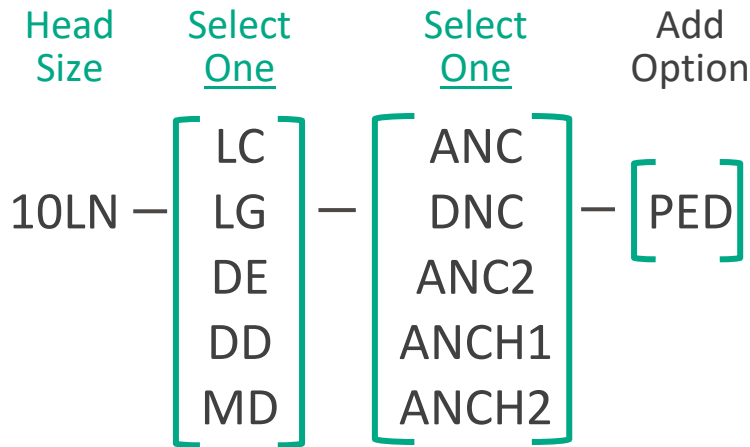
C8160-230 Joystick Controller

provides UP, DOWN, RIGHT and LEFT Aiming and Dynamic Braking (230VAC-only)





How to specify Searchlight Model Number



CONTROLS

LC	Local Handle Control
LG	Remote Lever Gear
DE	Joystick Electric Control
DD	Conversion (DE)
MD	Conversion (Manual)

INPUTS

ANC	115/230 VAC
DNC	12/24 VDC
ANC2	230VAC (DE-only)
ANCH1	115 VAC (with Anti-Icing Heaters)
ANCH2	230 VAC (with Anti-Icing Heaters)

OPTION

PED
Taller Pedestal than the Standard Base offering (Manual Control only)

To specify optional **"DIM/STROBE"** change above Inputs as follows:

from ANC to **AC** from DNC to **DC** from ANC2 to **AC2** from ANCH1 to **AH1** from ANCH2 to **AH2**

To specify optional **"8.5° WIDE OPTICS"** change as follows:

Delete first N in the model number (e.g. 10LN-DE-ANC becomes **10L-DE-ANC**).

Note: To specify Searchlight Model Number, go to top of page and insert letters from left to right as applicable.

Example #1 **Model Number: 10LN-LG-ANC-PED**

10-inch (254mm) diameter, Remote Lever-Gear Control, 115 VAC and Tall Pedestal option

Example #2 **Model Number: 10LN-DE-ANCH1**

10-inch (254mm) diameter, Joystick Electric Control, 115 VAC with Anti-Icing Heaters