



# Sleek Xenon Searchlight

“U.S. Navy Approved”



<b>Beam Intensity</b>	<u>15</u> Million Candela
<b>Distance Serviced</b>	1 lux at 3873 meters (approx.)
<b>Beam Speed</b>	18° per sec (Fast/Horiz.); 3° per sec (Slow/Horiz.)
<b>Color Temperature</b>	6000 Kelvin
<b>Controls</b>	Proportional Speed Joystick Control (weatherproof options available)
<b>Environmental Protection</b>	IP66
<b>Electric Beam-Size Focus</b>	1 to 20° (through continuous spectrum)
<b>Lamp</b>	200 Watt, Xenon Short Arc
<b>Temperature Range</b>	-35 °C to +55 °C (approx.)
<b>Vertical Span</b>	+30° to -30° (60° approx. total)
<b>Horizontal Span</b>	Slip-Rings provide 360° continuous rotation with no stop points
<b>Marine Grade Design</b>	Marine Grade Aluminum and Stainless Steel with Salt-Resistant, Scratch-Resistant Powder Coat
<b>Bullet-Resilient Reflector</b>	Precision Optic Reflector made of Indestructible Nickel
<b>Power Requirement</b>	115VAC/6 Amps <i>or</i> 230 VAC/3 Amps; 50/60HZ



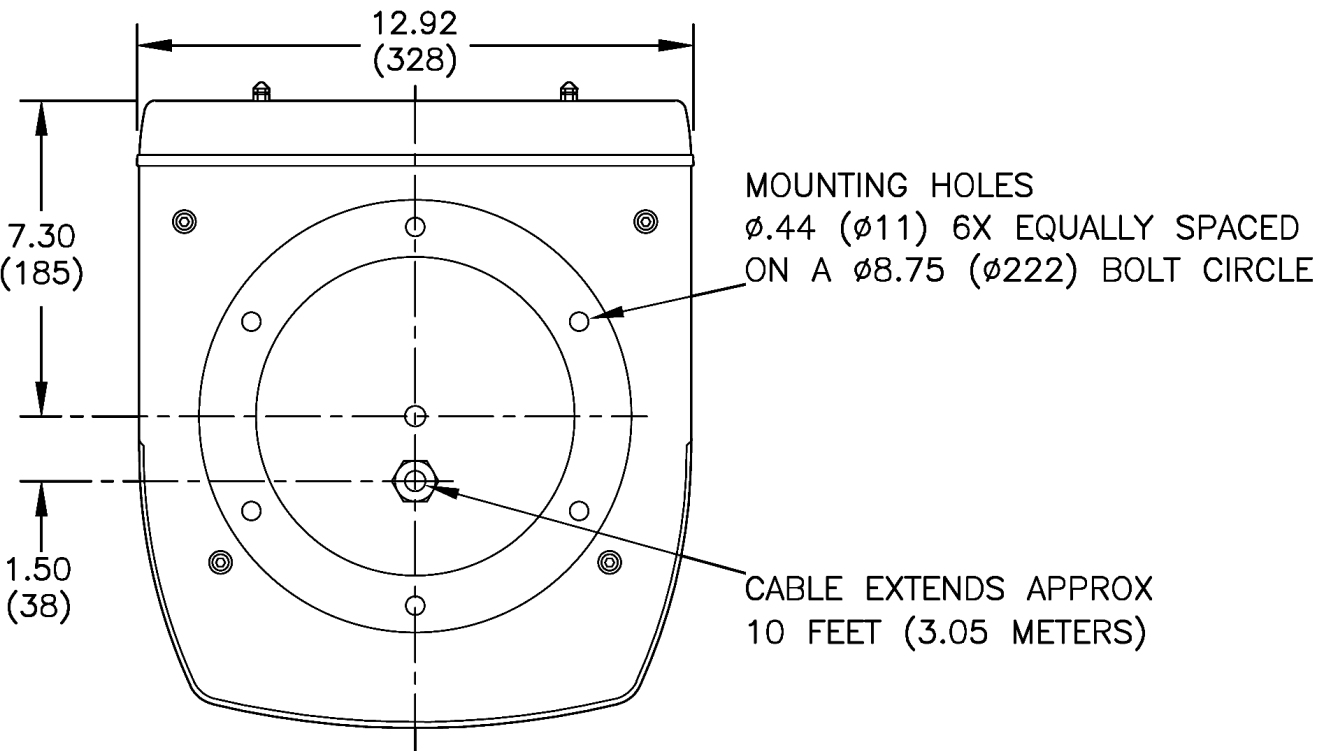
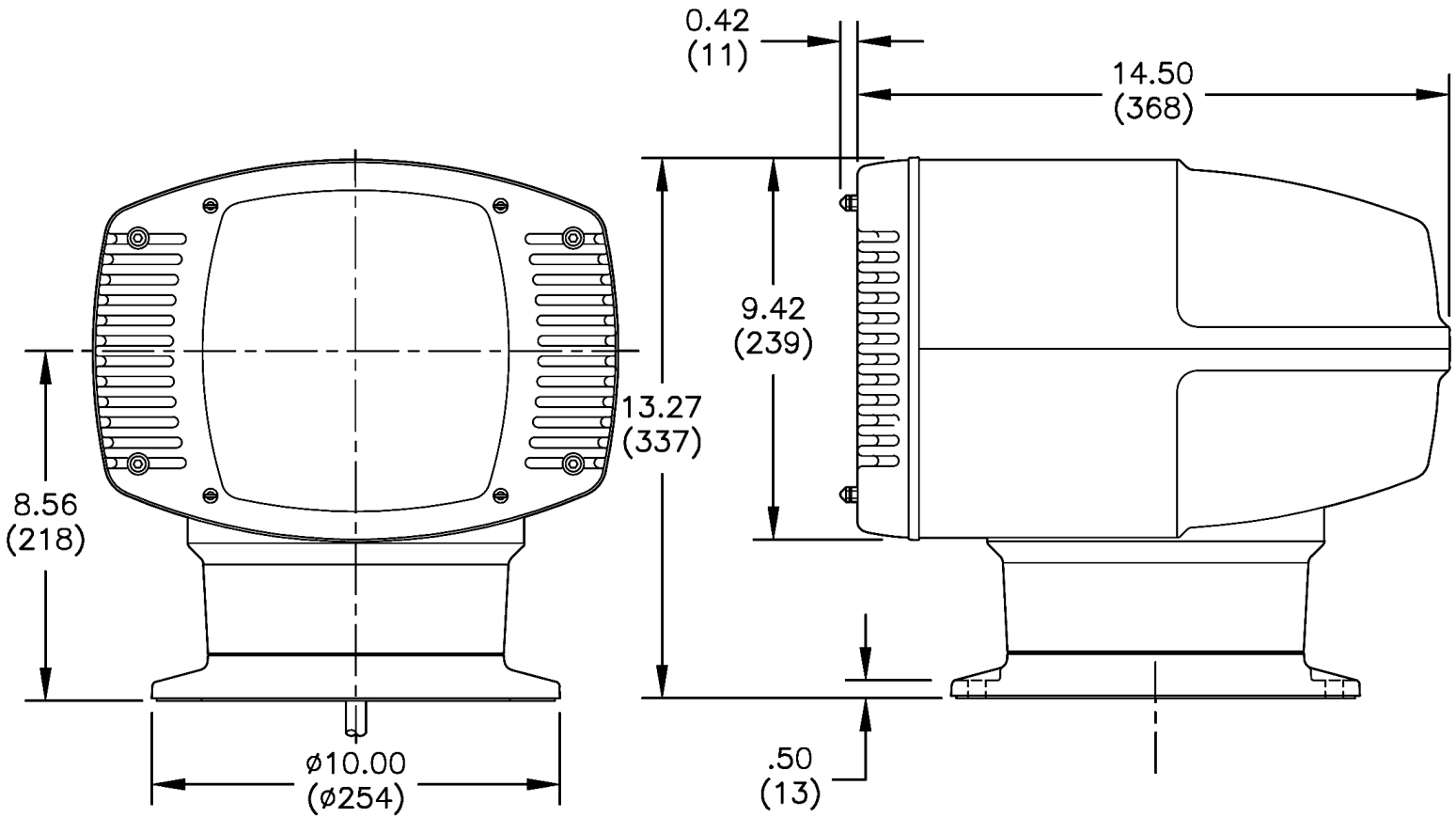
**NightFINDER™  
w/ Embedded  
Thermal Camera**

## OPTIONS

<b>Anti-icing Heater</b>	Heaters prevent ice build-up in cold climates
<b>Inverted-Mount</b>	Searchlight can be mounted upside down (Base-Up). <u>Note:</u> Must be specified ahead of time
<b>Azimuth Indicator</b>	LCD Panel displays horizontal aiming position in degrees
<b>Detachable IR Filter:</b>	Provides Covert Surveillance when used with lowlight cameras and Night Vision Goggles
<b>High Powered Strobe</b>	Disorients and denies night vision of intruder and transforms the searchlight into a Nonlethal Weapon
<b>NightFINDER™</b>	Embedded thermal camera enhances night vision capability, and the searchlight beam and camera track on the same target (see last page)
<b>SmartVIEW™</b>	Control System provides Digital BUS Network, and TCP/IP Interface allows Remote Computer Control. Protocols supported: ONVIF, Pelco-D, NMEA 0183 and C&F's own Protocol

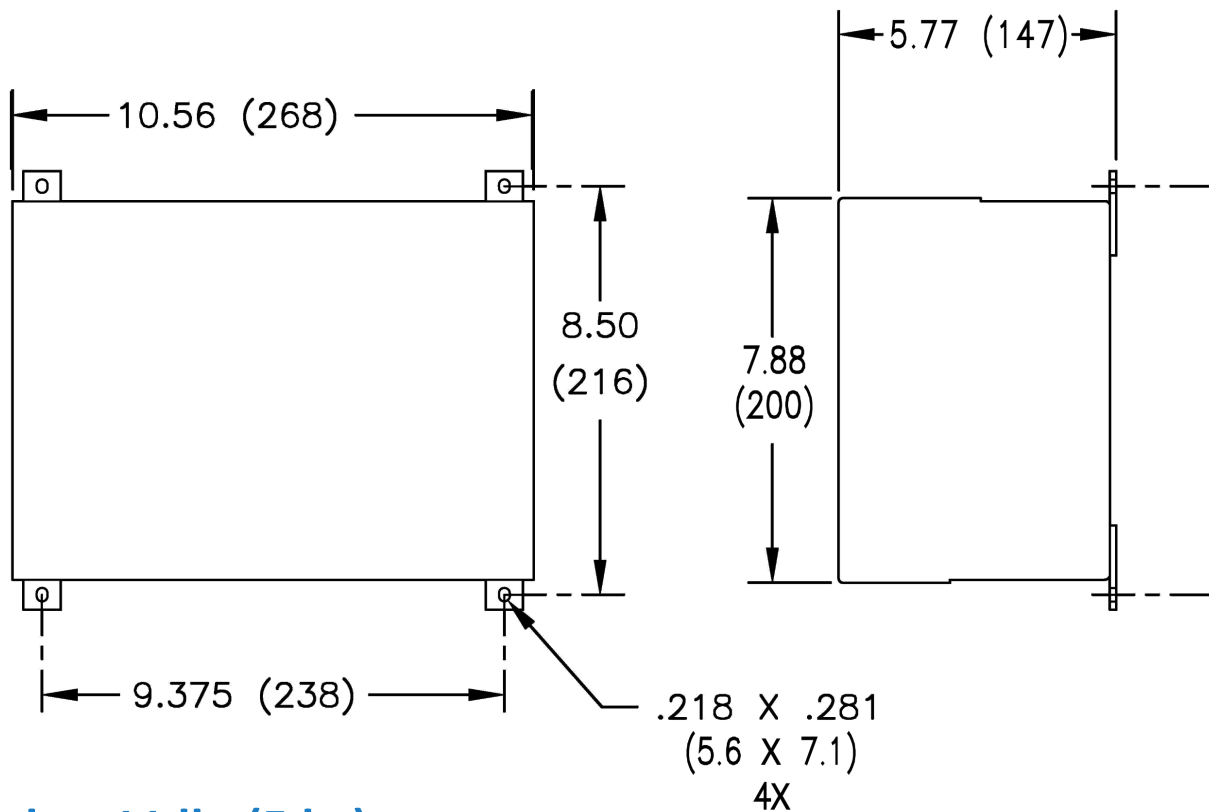
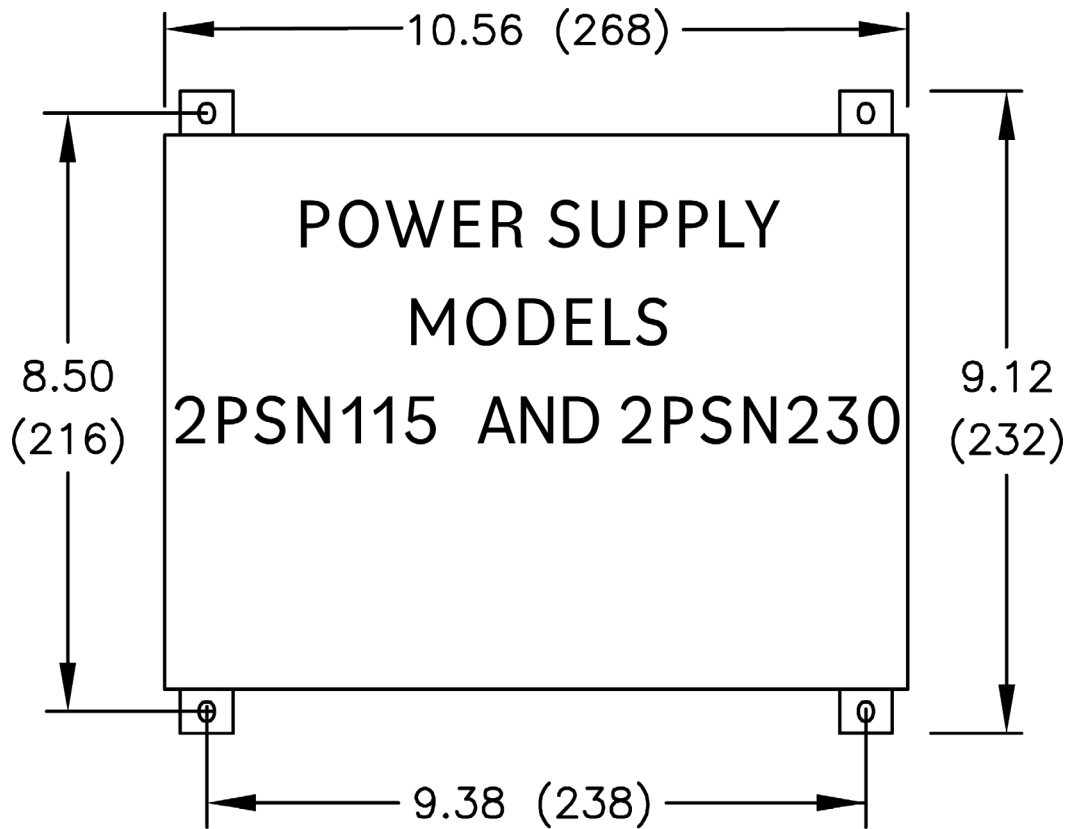
*Lighting the way forward since 1894*

# Searchlight Dimensions in inches (mm)



**Searchlight Weight: 46 lb.(21kg)**

# Power Supply Dimensions in inches (mm)



**Weight: 11 lb. (5 kg)**

# Joystick Dimensions in inches (mm)



**Proportional-Speed Joystick** controls the Beam-Speed and Aiming Direction with a single hand, freeing up the other hand to steer vessel, hold binoculars, etc.

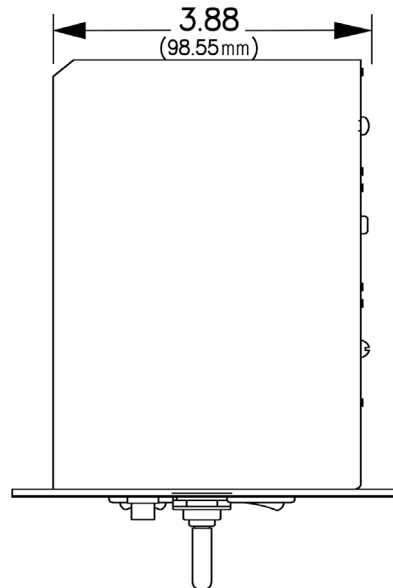
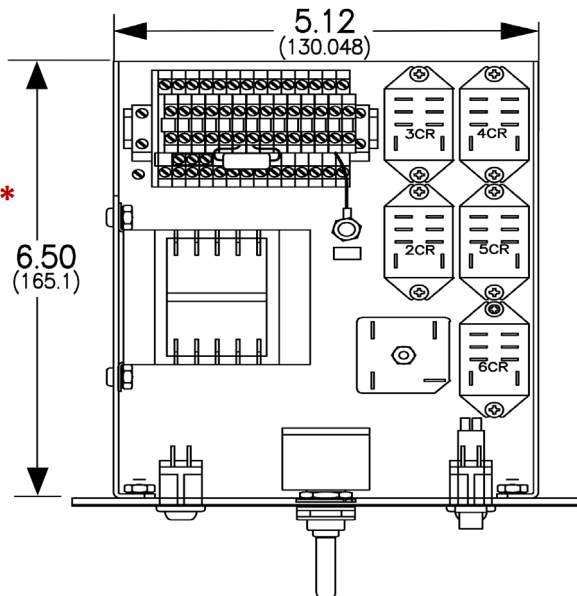
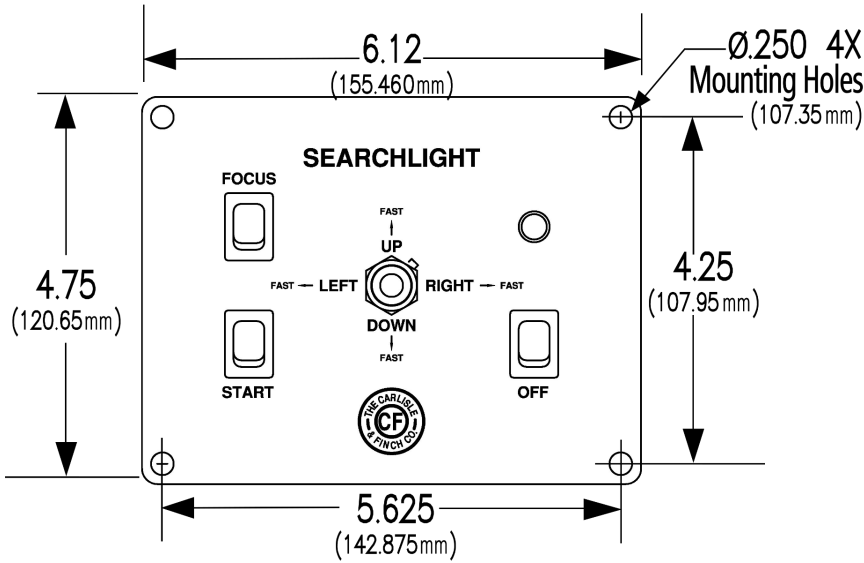
Beam moves slowly at the first position and speeds up at the second position.

## Additional Functions:

- Beam-ON Indicator Light (*Indoor stations only*)
- Beam-ON/OFF
- Beam-Size Focus

## Controller Models:

- C4-2-1 (Indoor Master)
- C4E2-1-2 (Outdoor Master)
- C4-2M-1 (Indoor Secondary)
- C4E2M-1-2 (Outdoor Secondary)



\***Note:** This dimension for Master Stations-only. Secondary Stations are 4.5 inches deep.

# Searchlight System Specification Table

How to select searchlight model numbers ... read across table and select one searchlight, one power supply, one master joystick controller and one or more optional secondary controllers.

Searchlight	Power Supply	Master Controller	Secondary Controller
XY2EDE-RF (Standard) XY2EDE-BURF (Inverted Mount)	2PSN115 (115 VAC) 2PSN230 (230 VAC)	C4-2-1 (Indoor) C4-2M-1 (Outdoor)	C4E1M-1-2 (Indoor) C4E2M-1-2 (Outdoor)

## Specifying Model Numbers for Options:

- **Strobe**  
After selecting searchlight from above table, add “S” to the power supply model number (i.e. 2PSN115S or 2PSN230S). Note: Installer must supply ON/OFF Switch for Strobe function.
- **Anti-icing Heaters**  
Specify Searchlight Model XY2EDE-115HRF for 115VAC and Searchlight Model XY2EDE-230HRF for 230 VAC.
- **Note:** For optional NightFINDER™ Thermal Camera, Azimuth Indicator or SmartVIEW™ consult Factory.

### Below are example orders demonstrating the selection of correct model numbers

- Example 1:** 115 VAC Searchlight with (1) Indoor and (1) Outdoor Controller consists of the following: Model XY2EDE-RF Searchlight, Model 2PSN115 Power Supply, Model C4-2-1 Indoor Master Controller and Model C4E2M-1-2 Outdoor Secondary Controller.
- Example 2:** 230 VAC Searchlight with Inverted-Mount Searchlight, Strobe and (1) Indoor and (1) Outdoor Controller consists of the following: Model XY2EDE-BURF Searchlight, Model 2PSN230S Power Supply, (1) C4-2-1 Indoor Master Controller and (1) C4E2M-1-2 Outdoor Secondary Controller.
- Example 3:** 230 VAC Searchlight, Anti-icing Heaters, Strobe and (1) Outdoor Master Controller and (1) Outdoor Secondary Controller, consists of the following: Model XY2EDE-230HRF Searchlight, Model 2PSN230S Power Supply, (1) C4E2-1-2 Outdoor Master Controller and (1) C4E2M-1-2 Outdoor Secondary Controller.

\* **Release Date:** February 2025. Product specifications and models are subject to change without notice as part of our ongoing product innovative efforts.

# NightFINDER™ ... a "Covert Targeting Device"

Strobe blinds and  
disorients Intruder with  
Nonlethal Force!



Powerful Nonlethal  
Weapon

STROBE

Thermal Camera



Camera is used as *Covert Targeting Device* i.e....  
"Operator covertly scans horizon with camera, and  
after Intruder is spotted, searchlight instantly  
illuminates the target."